



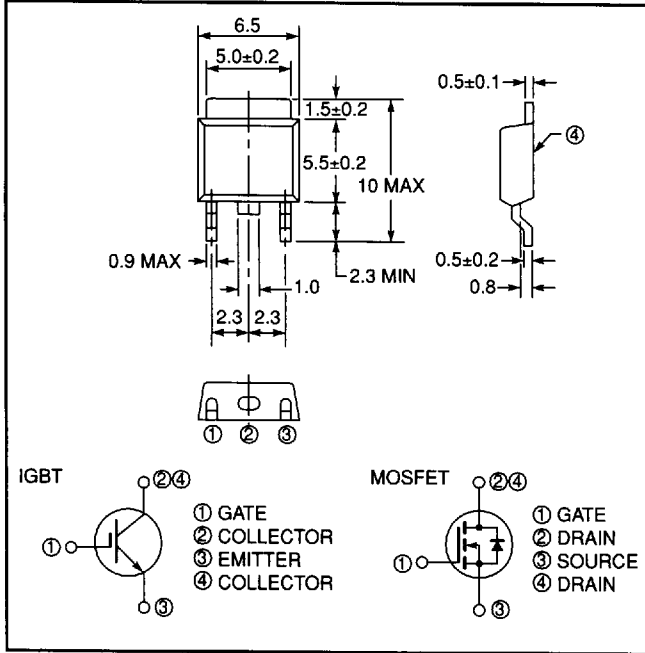
Discrete MOSFET - Low Voltage Trench Gate
2.5V Driver Voltage p-channel MOSFETs

Device Number	Maximum Ratings, T _c = 25°C			Electrical Characteristics					
	V _{DSS} (V)	I _D (A)	V _{GSS} (V)	r _{DS(on)} (mΩ)		V _{GS(th)} (V)	C _{ISS} (pF)	Package	
				Typ.	Max.			Outline	Page
FX6ASH-03	-30	-6	±10	250	320	-1.2	825	MP-3	31
FX6KMH-03	-30	-6	±10	250	320	-1.2	825	TO-220FN	31
FX6UMH-03	-30	-6	±10	250	320	-1.2	825	TO-220	31
FX6VSH-03	-30	-6	±10	250	320	-1.2	825	TO-220S	31
FX20ASH-03	-30	-20	±10	110	140	-1.2	1610	MP-3	31
FX20KMH-03	-30	-20	±10	110	140	-1.2	1610	TO-220FN	31
FX20UMH-03	-30	-20	±10	110	140	-1.2	1610	TO-220	31
FX20VSH-03	-30	-20	±10	110	140	-1.2	1610	TO-220S	31
FX20SMH-03	-30	-20	±10	110	140	-1.2	1610	TO-3P	32
FX30ASH-03	-30	-30	±10	52	68	-1.2	3330	MP-3	31
FX30KMH-03	-30	-30	±10	52	68	-1.2	3330	TO-220FN	31
FX30UMH-03	-30	-30	±10	52	68	-1.2	3330	TO-220	31
FX30VSH-03	-30	-30	±10	52	68	-1.2	3330	TO-220S	31
FX30SMH-03	-30	-30	±10	52	68	-1.2	3330	TO-3P	32
FX50KMH-03	-30	-50	±10	30	39	-1.2	5175	TO-220FN	31
FX50UMH-03	-30	-50	±10	30	39	-1.2	5175	TO-220	31
FX50VSH-03	-30	-50	±10	30	39	-1.2	5175	TO-220S	31
FX50SMH-03	-30	-50	±10	30	39	-1.2	5175	TO-3P	32
FX70KMH-03	-30	-70	±10	10	14	-1.2	16980	TO-220FN	31
FX70UMH-03	-30	-70	±10	10	14	-1.2	16980	TO-220	31
FX70VSH-03	-30	-70	±10	10	14	-1.2	16980	TO-220S	31
FX70SMH-03	-30	-70	±10	10	14	-1.2	16980	TO-3P	32
FX3ASH-06	-60	-3	±10	400	520	-1.2	790	MP-3	31
FX3KMH-06	-60	-3	±10	400	520	-1.2	790	TO-220FN	31
FX3UMH-06	-60	-3	±10	400	520	-1.2	790	TO-220	31
FX3VSH-06	-60	-3	±10	400	520	-1.2	790	TO-220S	31
FX6ASH-06	-60	-6	±10	180	230	-1.2	1560	MP-3	31
FX6KMH-06	-60	-6	±10	180	230	-1.2	1560	TO-220FN	31
FX6UMH-06	-60	-6	±10	180	230	-1.2	1560	TO-220	31
FX6VSH-06	-60	-6	±10	180	230	-1.2	1560	TO-220S	31
FX6SMH-06	-60	-6	±10	180	230	-1.2	1560	TO-3P	32
FX20ASH-06	-60	-20	±10	85	110	-1.2	3815	MP-3	31
FX20KMH-06	-60	-20	±10	85	110	-1.2	3815	TO-220FN	31
FX20UMH-06	-60	-20	±10	85	110	-1.2	3815	TO-220	31
FX20VSH-06	-60	-20	±10	85	110	-1.2	3815	TO-220S	31
FX20SMH-06	-60	-20	±10	85	110	-1.2	3815	TO-3P	32
FX30KMH-06	-60	-30	±10	46	60	-1.2	6965	TO-220FN	31
FX30UMH-06	-60	-30	±10	46	60	-1.2	6965	TO-220	31
FX30VSH-06	-60	-30	±10	46	60	-1.2	6965	TO-220S	31
FX30SMH-06	-60	-30	±10	46	60	-1.2	6965	TO-3P	32
FX50KMH-06	-60	-50	±10	16	21	-1.2	16215	TO-220FN	31
FX50UMH-06	-60	-50	±10	16	21	-1.2	16215	TO-220	31
FX50VSH-06	-60	-50	±10	16	21	-1.2	16215	TO-220S	31
FX50SMH-06	-60	-50	±10	16	21	-1.2	16215	TO-3P	32

r_{DS(on)} (mΩ) - shows maximum value of on-resistance at V_{GS} = 4V

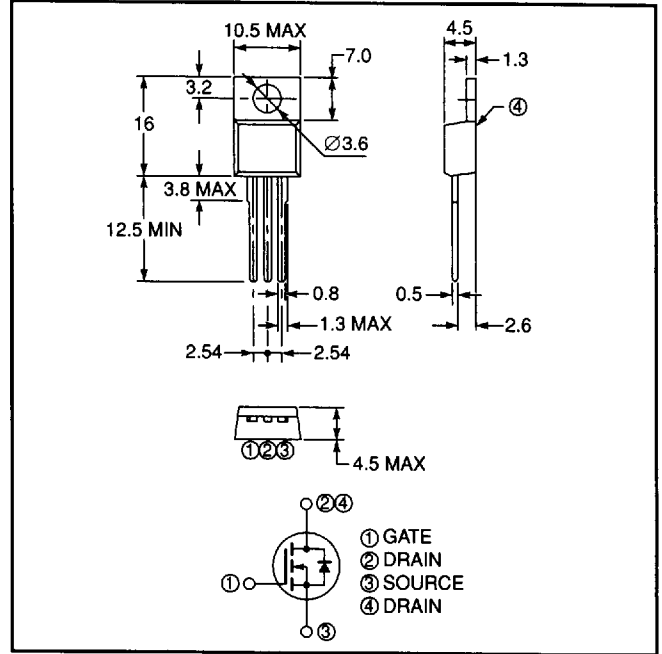
Device Outline Drawings

MP-3



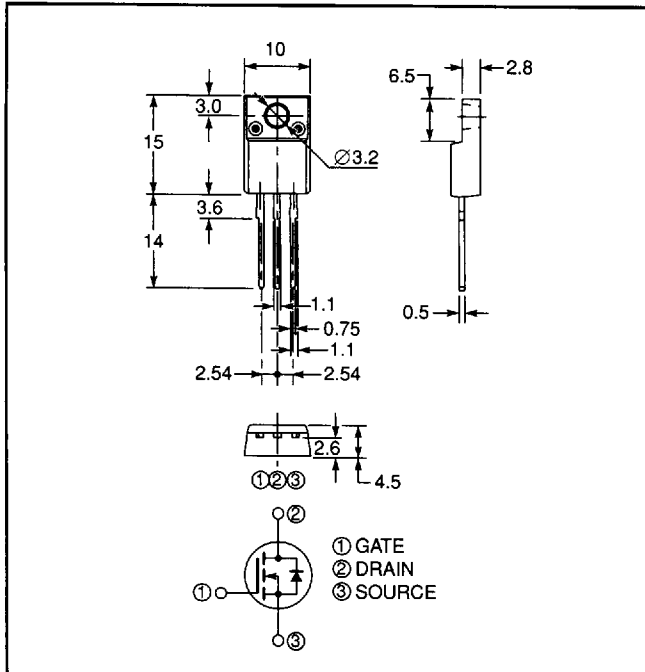
IGBT CT**AS-8
 MOSFET FS**AS-8

TO-220



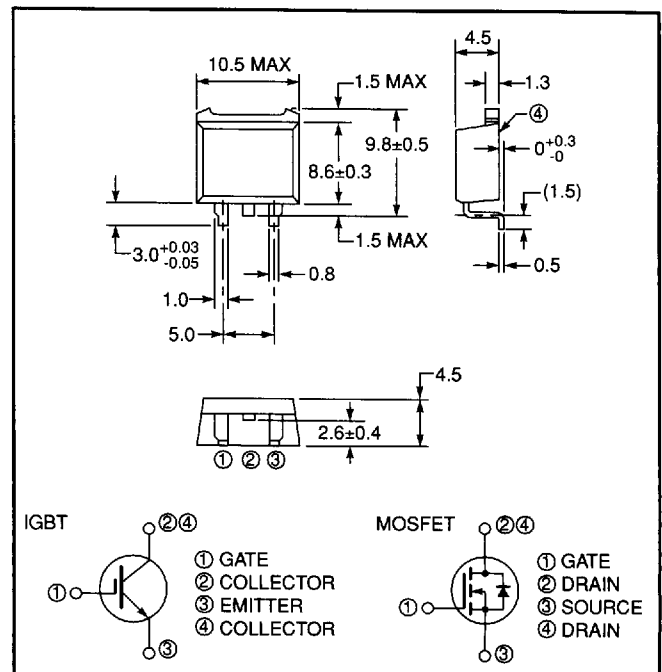
MOSFET FK**UM-**, FS**UM-**

TO-220FN



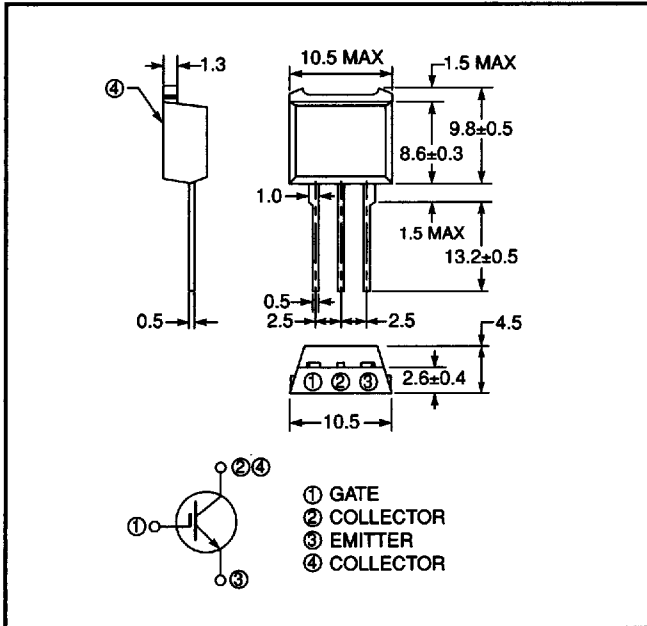
MOSFET FK**KM-**, FS**KM-**

TO-220S



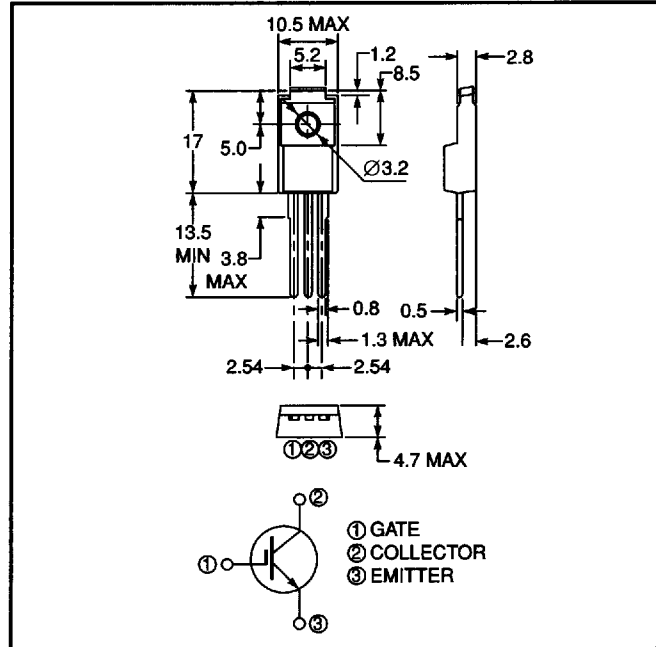
IGBT CT**VS-8
 MOSFET FK**VS-**, FS**VS-**

TO-220C



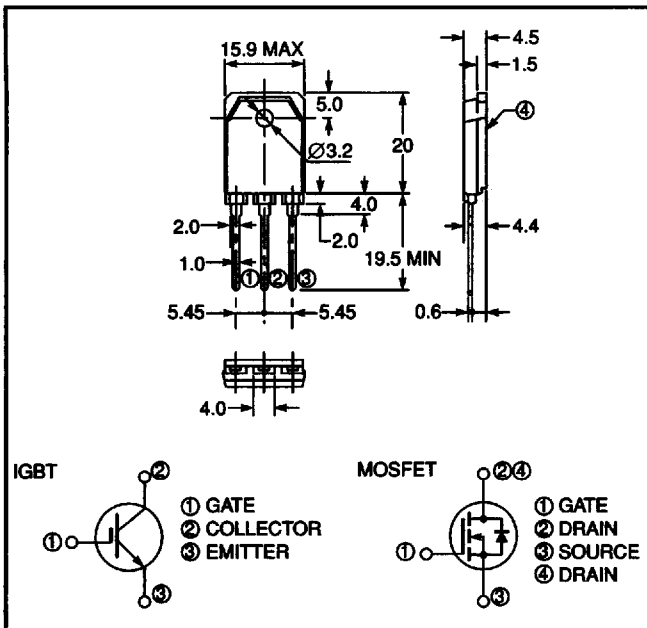
IGBT CT**VM-8

TO-220F



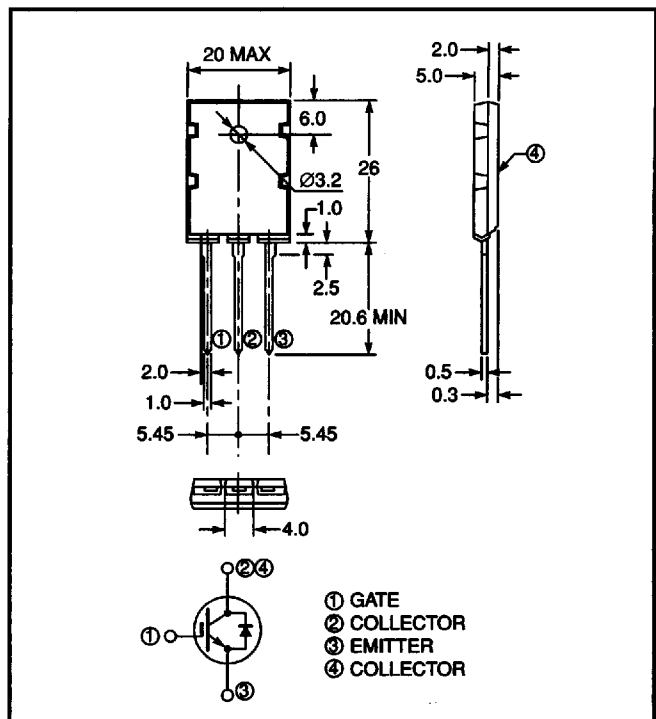
IGBT CT**TM-**

TO-3P



IGBT CT**SM-8
 MOSFET FK**SM-**, FS**SM-**

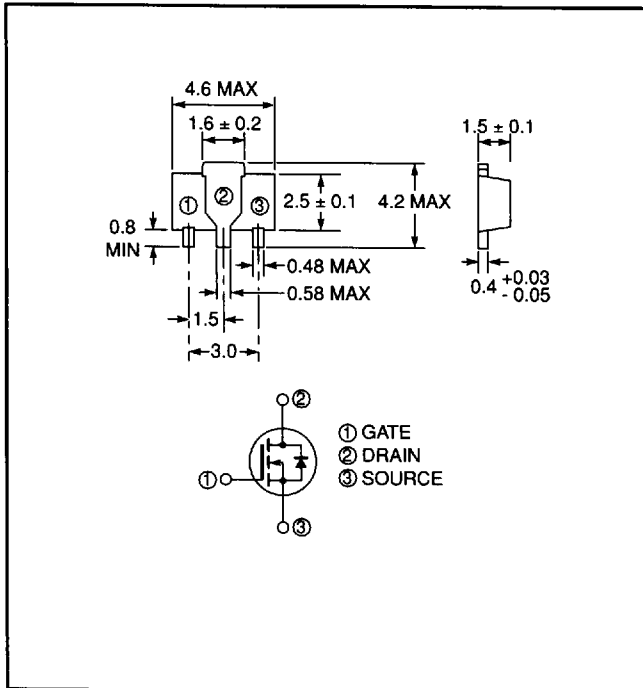
TO-3PL



IGBT CT**AM-**

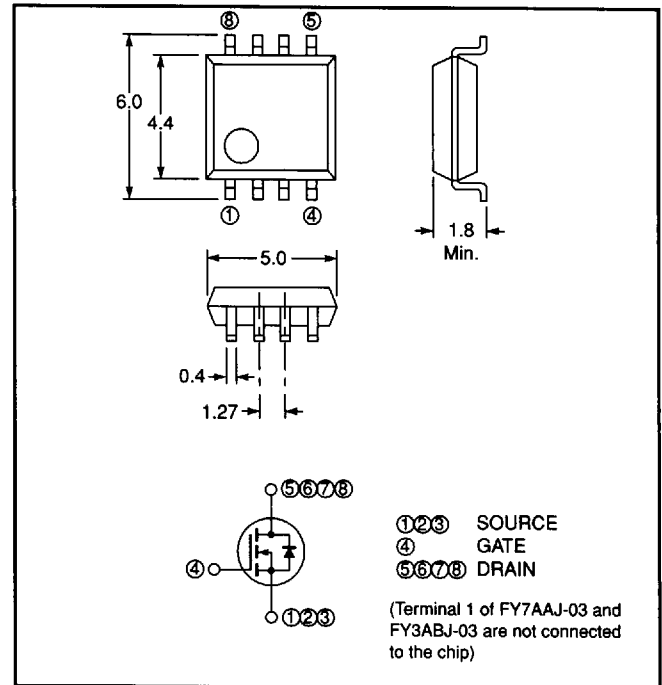
Device Outline Drawings

SOT-89



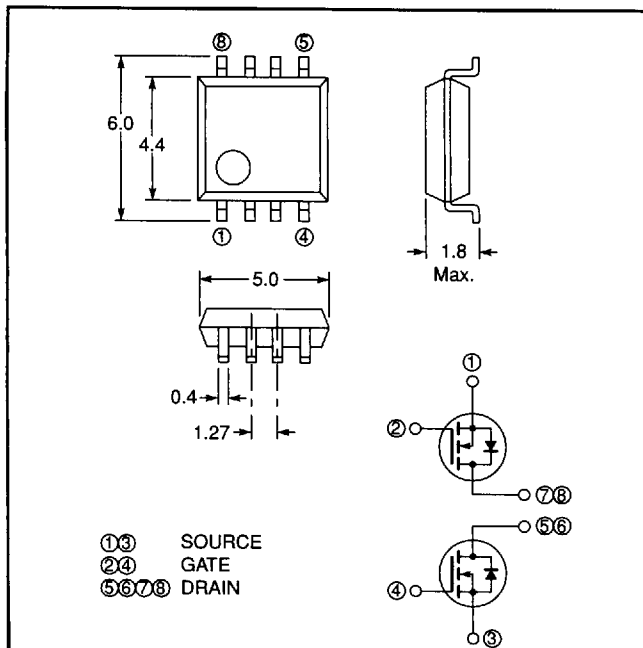
MOSFET FS**, FX**

SOP-8 (Single)



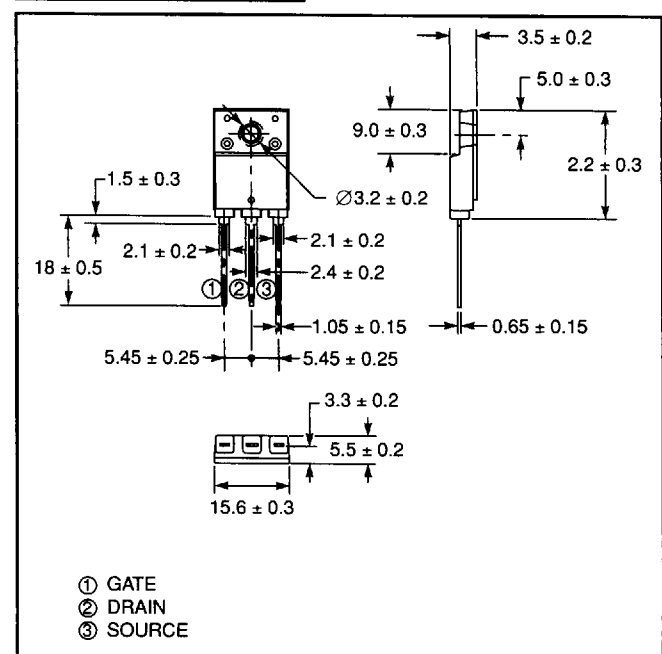
MOSFET FY**

SOP-8 (Dual)



MOSFET FY**

TO-3PF



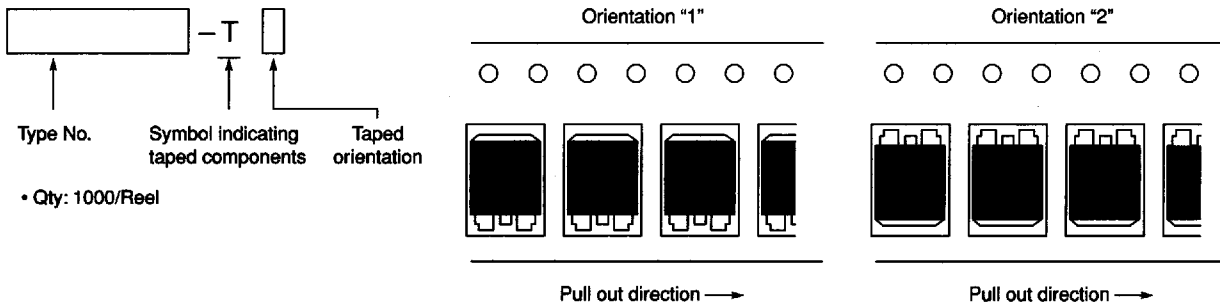
MOSFET FS**RM-**

MOSFET Packing Quantities and Types

Package	Outline Code	Packing	Minimum Quantity per Package
TO-220	UM	Bag	100
TO-220FN	KM	Tube	50
TO-220S	VS	Bag	100
TO-220S	VS	Reel	1000
TO-3P	SM	Bag	20
MP-3	AS	Bag	500
MP-3	AS	Reel	3000
SOP-8	FY	Reel	3000

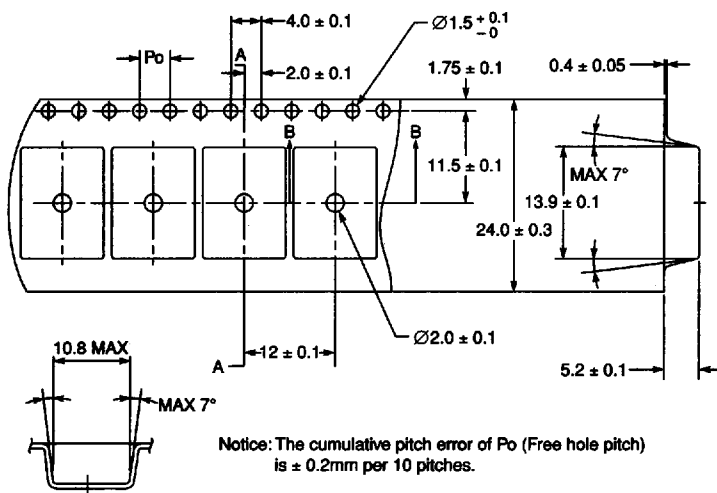
TO-220S Taping

(a) Marking

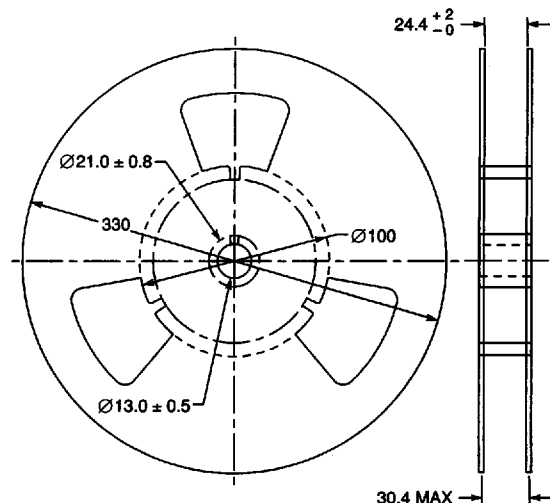


(b) Taping

• Tape Shape and Dimensions

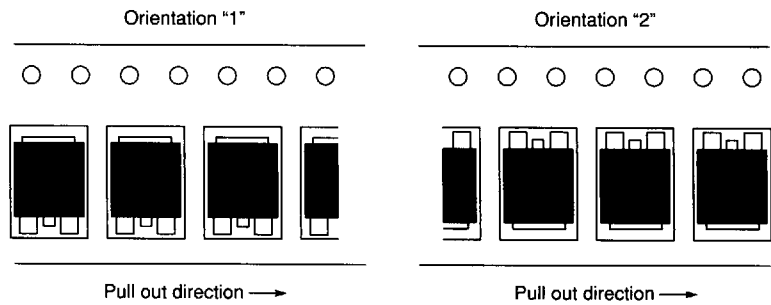
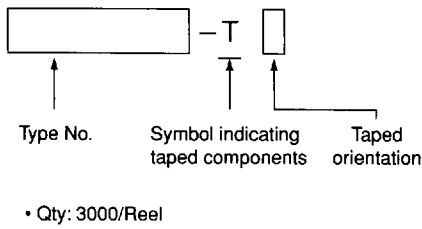


• Reel Shape and Dimensions



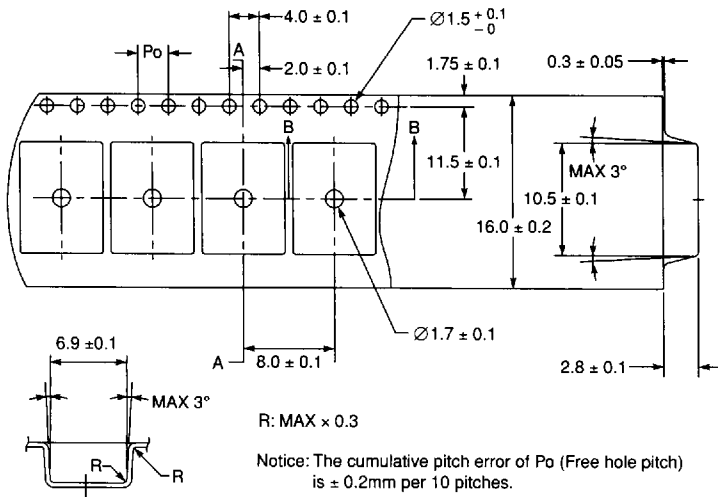
MP-3 Taping

(a) Marking

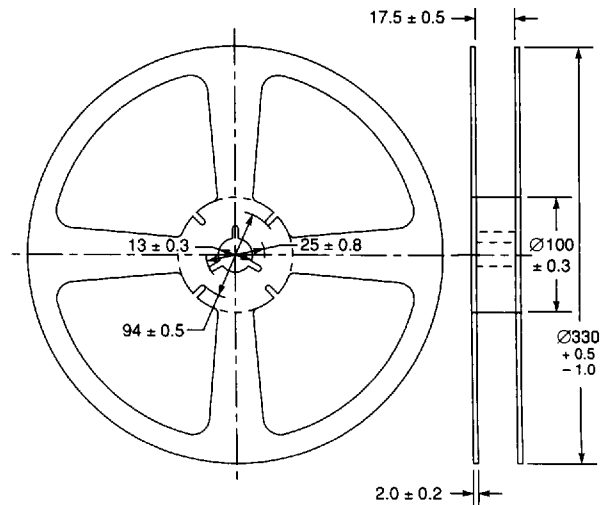


(b) Taping

• Tape Shape and Dimensions

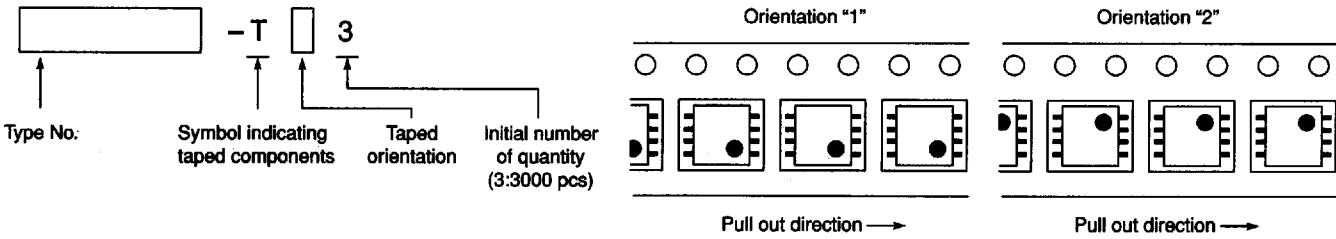


• Reel Shape and Dimensions



SOP-8 Taping

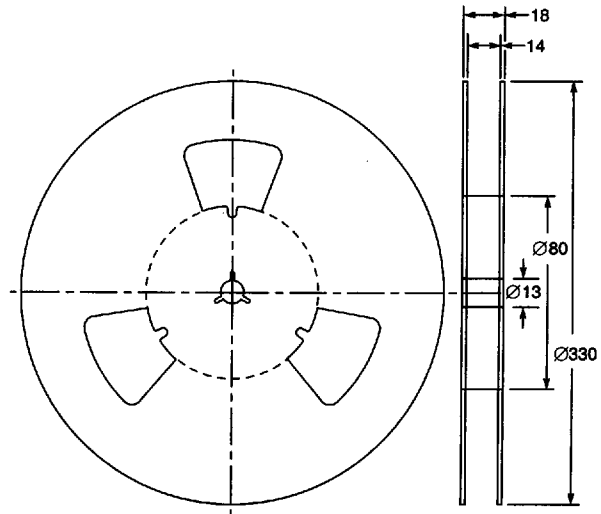
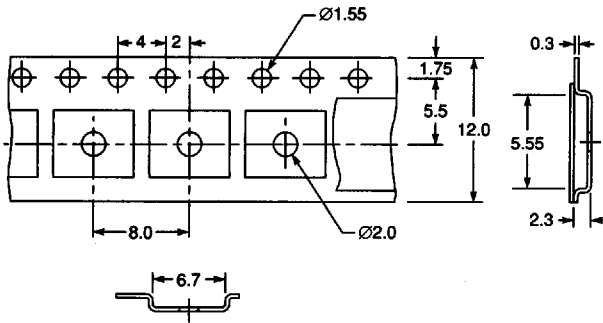
(a) Marking



(b) Taping

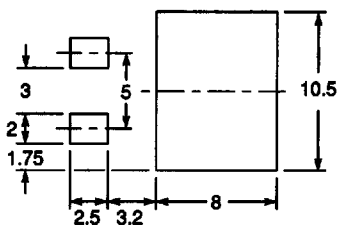
- Tape Shape and Dimensions

- Reel Shape and Dimensions

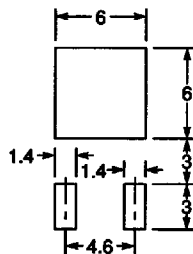


Recommended Mounting Pad

TO-220S Package



MP-3 Package



SOP-8 Package

