

- Designed for parallel stacking of printed circuit boards without the use of mother boards.

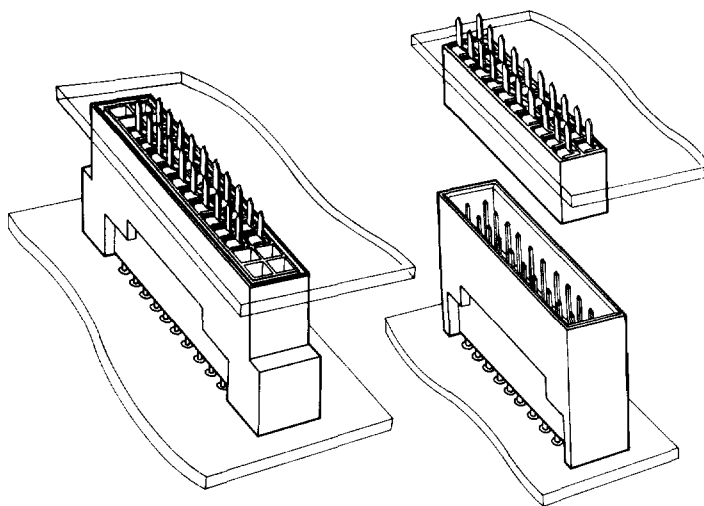
- Header height provides space for board components and cables. Three heights are available: 12,70 mm (0.500 in.), 19,18 mm (0.755 in.), and 30,48 mm (1.200 in.)

- Standoffs allow space to clean out soldering contaminants.

- Four-wall shroud prevents pin damage.

- Drawn wire square pins present four quality mating surfaces.

- Connector housing will withstand vapor phase soldering temperatures.



**Grid** 2,54 mm × 2,54 mm (0.100 × 0.100 in.)

**Body** **Material** Glass-filled nylon (UL 94 V-0); color black

**Insulation resistance**  $1 \times 10^5$  M $\Omega$  min.

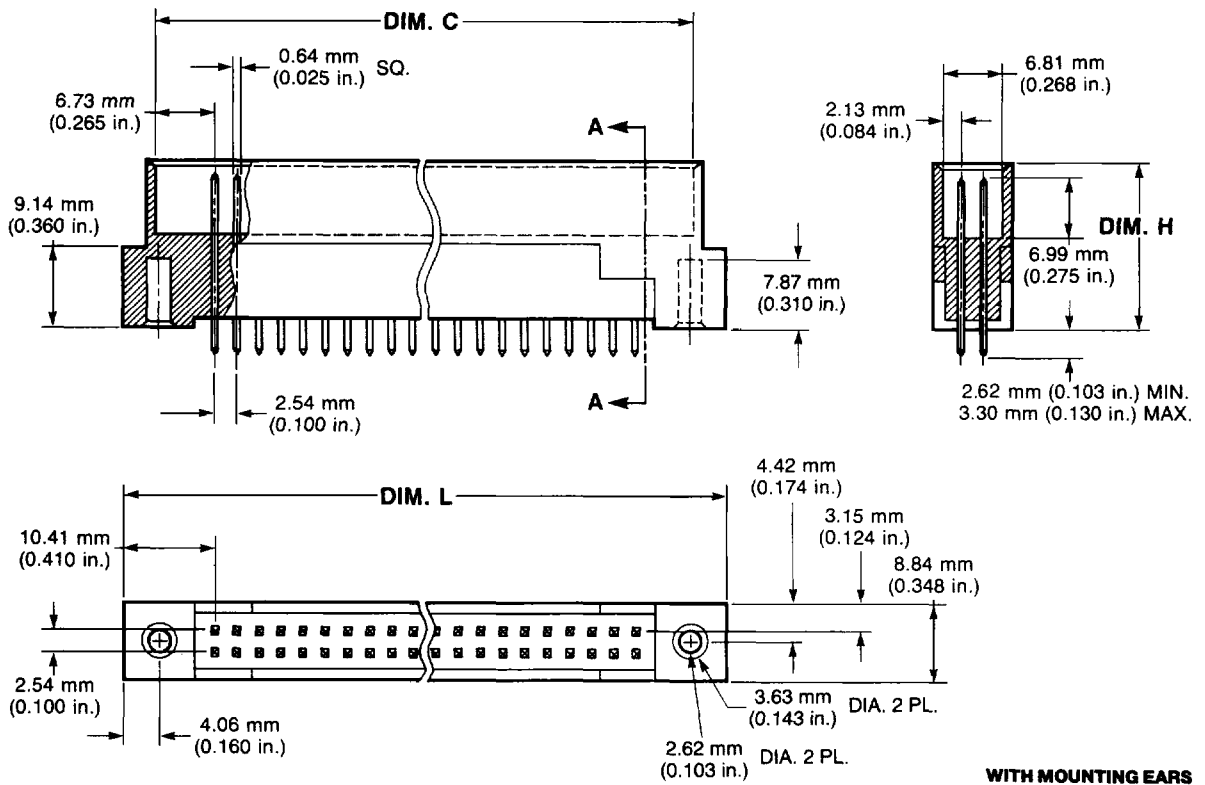
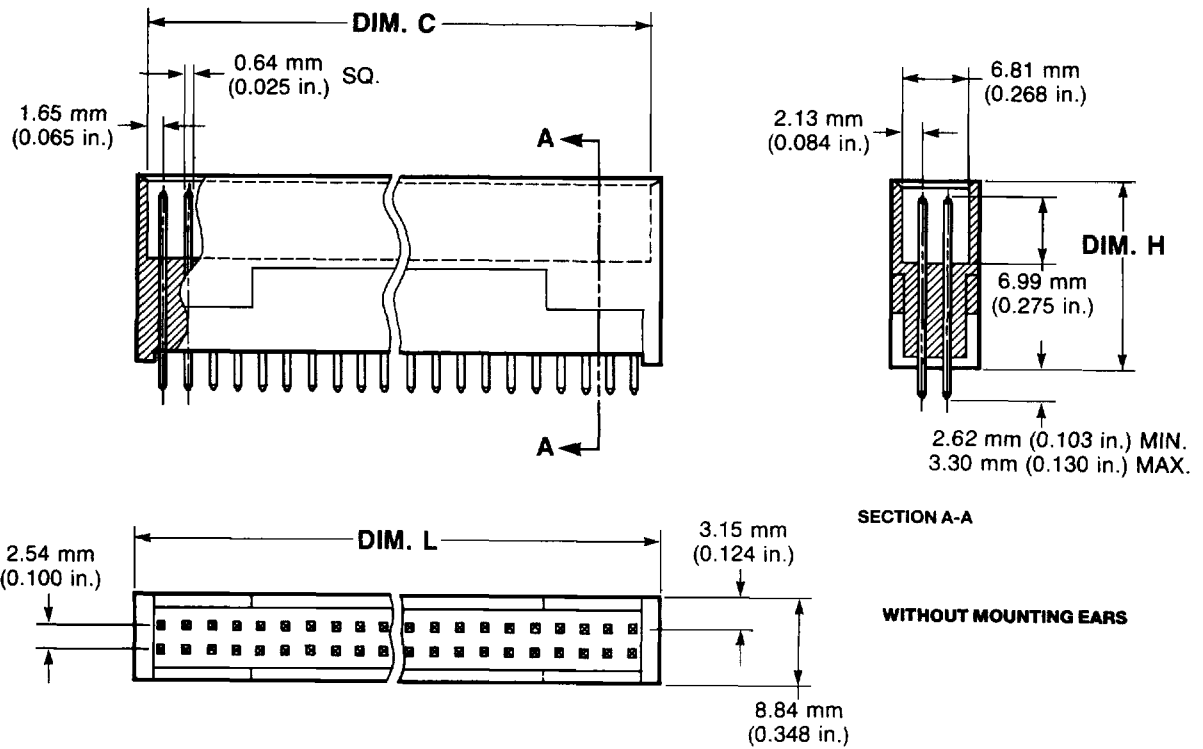
**Temperature range** -40° C to +105° C

**Withstanding voltage** 1000 V rms (sea level)

**Pin** **Material** Phosphor bronze

**Finish** Gold over nickel; GXT™ (palladium-nickel alloy with gold flash over nickel); and tin-lead. See "Ordering Data".

**Current rating** 3 A max.



(Part number series 67746 is UL and CSA recognized; series 68583 and 68098 are UL recognized only; all other series are not recognized - see page 166)

Contact Finish	Part Number Series				
	Dimension H				
	12,70 mm (0.500 in.)	19,18 mm (0.755 in.)		30,48 mm (1.200 in.)	
	Mounting ears				
	Without	With	Without	With	Without
0,38 μm (15 μ in.) Gold over 1,27 μm (50 μ in.) Nickel	—	67746	68210	68098	68205
0,76 μm (30 μ in.) Gold over 1,27 μm (50 μ in.) Nickel	69916	69687	69667	69436	68882
3,81 μm (150 μ in.) Tin-lead	—	69208	68533	69218	69213
0,76 μm (30 μ in.) GXT™ over 1,27 μm (50 μ in.) Nickel	—	68582	68583	68584	68585

Size	Part (Series + Dash) No.				Dimensions							
	69916 68210 69667 68533 68583	67746 69687 69208 68582	68098 69436 69218 68584 68205 68882 69213 68585	—	With Mounting Ears				Without Mounting Ears			
					C		L		C		L	
					mm	in.	mm	in.	mm	in.	mm	in.
2 × 5	-001	-003	—	23,62	0.930	30,98	1.220	13,46	0.530	15,49	0.610	
2 × 6	-002	-004	—	26,16	1.030	33,52	1.320	16,00	0.630	18,03	0.710	
2 × 7	-003	-005	—	28,70	1.130	36,06	1.420	18,54	0.730	20,57	0.810	
2 × 8	-004	-006	—	31,24	1.230	38,60	1.520	21,08	0.830	23,11	0.910	
2 × 9	-005	-007	—	33,78	1.330	41,14	1.620	23,62	0.930	25,65	1.010	
2 × 10	-006	-008	—	36,32	1.430	43,68	1.720	26,16	1.030	28,19	1.110	
2 × 11	-007	-009	—	38,86	1.530	46,22	1.820	28,70	1.130	30,73	1.210	
2 × 12	-008	-010	—	41,40	1.630	48,76	1.920	31,24	1.230	33,27	1.310	
2 × 13	-009	-011	—	43,94	1.730	51,30	2.020	33,78	1.330	35,81	1.410	
2 × 14	-010	-012	—	46,48	1.830	53,84	2.120	36,32	1.430	38,35	1.510	
2 × 15	-011	-013	-011	49,02	1.930	56,38	2.220	38,86	1.530	40,89	1.610	
2 × 16	-012	-014	—	51,56	2.030	58,92	2.320	41,40	1.630	43,43	1.710	
2 × 17	-013	-015	—	54,10	2.130	61,46	2.420	43,94	1.730	45,97	1.810	
2 × 18	-014	-016	—	56,64	2.230	64,00	2.520	46,48	1.830	48,51	1.910	
2 × 19	-015	-017	—	59,18	2.330	66,54	2.620	49,02	1.930	51,05	2.010	
2 × 20	-016	-001	-016	61,72	2.430	69,08	2.720	51,56	2.030	53,59	2.110	
2 × 21	-017	-018	—	64,26	2.530	71,62	2.820	54,10	2.130	56,13	2.210	
2 × 22	-018	-019	—	66,80	2.630	74,16	2.920	56,64	2.230	58,67	2.310	
2 × 23	-019	-020	—	69,34	2.730	76,70	3.020	59,18	2.330	61,21	2.410	
2 × 24	-020	-021	-020	71,88	2.830	79,24	3.120	61,72	2.430	63,75	2.510	
2 × 25	-021	-022	—	74,42	2.930	81,78	3.220	64,26	2.530	66,29	2.610	
2 × 26	-022	-002	-022	76,96	3.030	84,32	3.320	66,80	2.630	68,83	2.710	
2 × 27	-023	-023	—	79,50	3.130	86,86	3.420	69,34	2.730	71,37	2.810	
2 × 28	-024	-024	—	82,04	3.230	89,40	3.520	71,88	2.830	73,91	2.910	
2 × 29	-025	-025	—	84,58	3.330	91,94	3.620	74,42	2.930	76,45	3.010	
2 × 30	-026	-026	—	87,12	3.430	94,48	3.720	76,96	3.030	78,99	3.110	
2 × 31	-027	-027	—	89,66	3.530	97,02	3.820	79,50	3.130	81,53	3.210	
2 × 32	-028	-028	-028	92,20	3.630	99,56	3.920	82,04	3.230	84,07	3.310	
2 × 33	-029	-029	—	94,74	3.730	102,10	4.020	84,58	3.330	86,61	3.410	
2 × 34	-030	-030	—	97,28	3.830	104,64	4.120	87,12	3.430	89,15	3.510	
2 × 35	-031	-031	—	99,82	3.930	107,18	4.220	89,66	3.530	91,69	3.610	
2 × 36	-032	-032	—	102,36	4.030	109,72	4.320	92,20	3.630	94,23	3.710	

Note: Double-row stacking headers mates with vertical card connectors using PV™ receptacles. See pages 74 and 75.