

## **Attention:**

Micron has discontinued its 119-pin BGA SRAM package. While we are currently working to update these data sheets, please note that this data sheet still shows the discontinued package.

For further information please call 208-368-3900.

Regular business hours are from 8:00 a.m. to 5:00 p.m. MST.

Thank you  
*Micron SRAM*

# 4Mb SYNCBURST™ SRAM

MT58L256L18P1, MT58L128L32P1,  
MT58L128L36P1; MT58L256V18P1,  
MT58L128V32P1, MT58L128V36P1

3.3V V<sub>DD</sub>, 3.3V or 2.5V I/O, Pipelined, Single-Cycle  
Deselect

## FEATURES

- Fast clock and OE# access times
- Single +3.3V +0.3V/-0.165V power supply (V<sub>DD</sub>)
- Separate +3.3V or +2.5V isolated output buffer supply (V<sub>DDQ</sub>)
- SNOOZE MODE for reduced-power standby
- Single-cycle deselect (Pentium® BSRAM-compatible)
- Common data inputs and data outputs
- Individual BYTE WRITE control and GLOBAL WRITE
- Three chip enables for simple depth expansion and address pipelining
- Clock-controlled and registered addresses, data I/Os and control signals
- Internally self-timed WRITE cycle
- Burst control pin (interleaved or linear burst)
- Automatic power-down for portable applications
- 100-lead TQFP package for high density, high speed
- 119-pin BGA package
- Low capacitive bus loading
- x18, x32 and x36 versions available

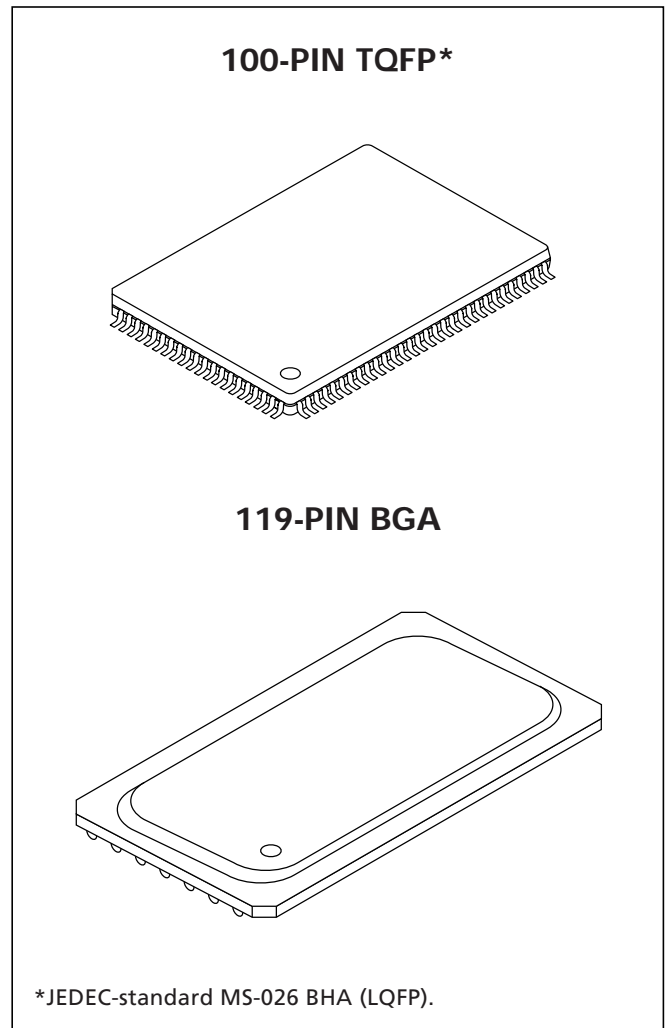
## OPTIONS

- Timing (Access/Cycle/MHz)
  - 2.3ns/4ns/250 MHz
  - 2.6ns/4.4ns/225 MHz
  - 3.1ns/5ns/200 MHz
  - 3.5ns/6ns/166 MHz
  - 4.0ns/7.5ns/133 MHz
  - 5ns/10ns/100 MHz
- Configurations
  - 3.3V I/O
    - 256K x 18
    - 128K x 32
    - 128K x 36
  - 2.5V I/O
    - 256K x 18
    - 128K x 32
    - 128K x 36
- Packages
  - 100-pin TQFP
  - 119-pin, 14mm x 22mm BGA
- Operating Temperature Range
  - Commercial (0°C to +70°C)
  - Industrial (-40°C to +85°C)

## MARKING

-4	MT58L256L18P1
-4.4	MT58L128L32P1
-5	MT58L128L36P1
-6	
-7.5	
-10	
	MT58L256V18P1
	MT58L128V32P1
	MT58L128V36P1

Part Number Example:  
**MT58L256L18P1T-6 IT**

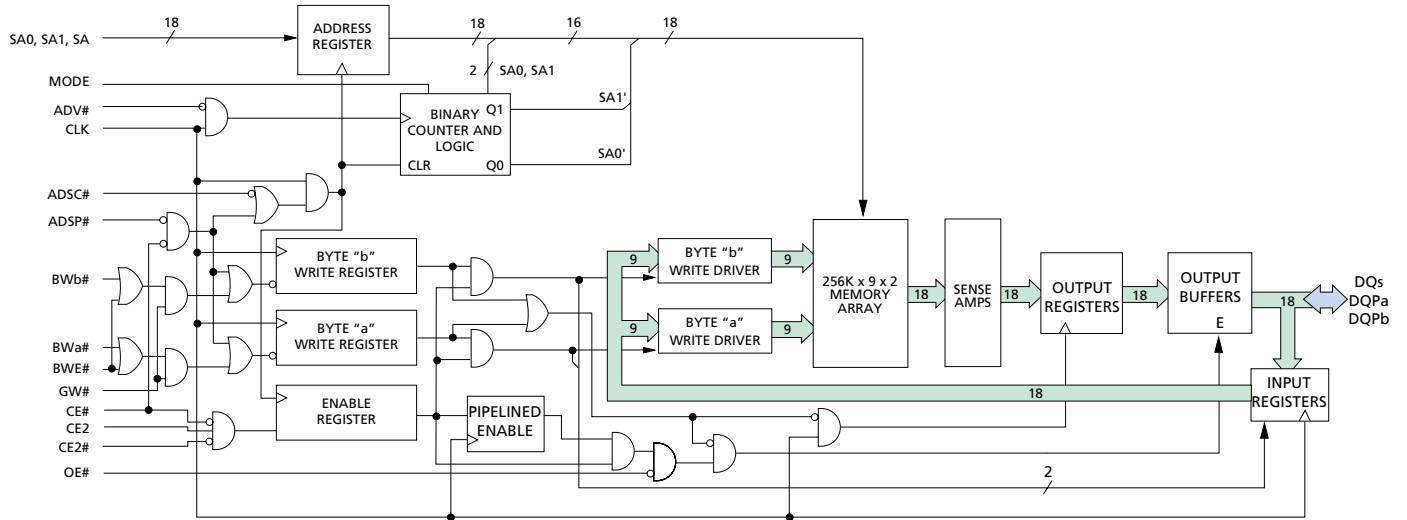


## GENERAL DESCRIPTION

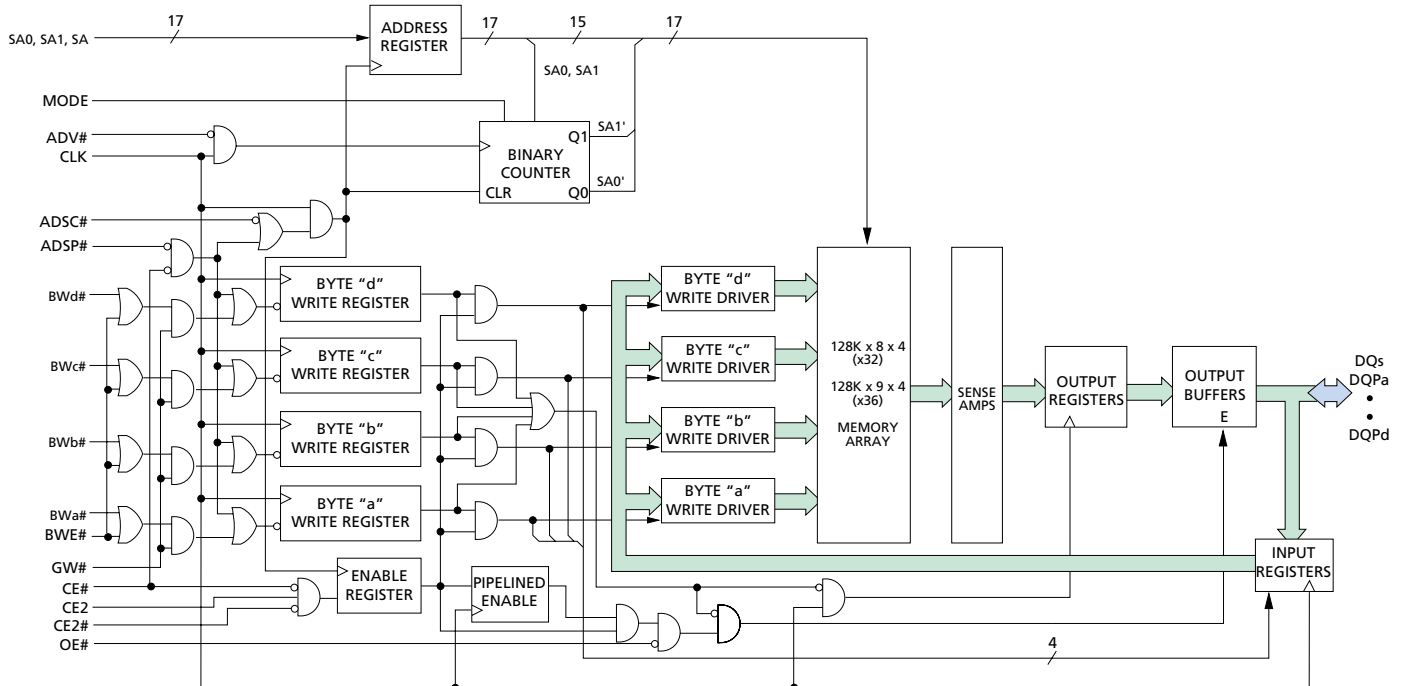
The Micron® SyncBurst™ SRAM family employs high-speed, low-power CMOS designs that are fabricated using an advanced CMOS process.

Micron's 4Mb SyncBurst SRAMs integrate a 256K x 18, 128K x 32, or 128K x 36 SRAM core with advanced synchronous peripheral circuitry and a 2-bit burst counter. All synchronous inputs pass through registers controlled by a positive-edge-triggered single clock input (CLK). The synchronous inputs include all addresses, all data inputs, active LOW chip enable (CE#), two additional chip enables for easy depth ex-

**FUNCTIONAL BLOCK DIAGRAM**  
**256K x 18**



**FUNCTIONAL BLOCK DIAGRAM**  
**128K x 32/36**



**NOTE:** Functional block diagrams illustrate simplified device operation. See truth tables, pin descriptions and timing diagrams for detailed information.

## GENERAL DESCRIPTION (continued)

ansion (CE2, CE2#), burst control inputs (ADSC#, ADSP#, ADV#), byte write enables (BWx#) and global write (GW#).

Asynchronous inputs include the output enable (OE#), clock (CLK) and snooze enable (ZZ). There is also a burst mode input (MODE) that selects between interleaved and linear burst modes. The data-out (Q), enabled by OE#, is also asynchronous. WRITE cycles can be from one to two bytes wide (x18) or from one to four bytes wide (x32/x36), as controlled by the write control inputs.

Burst operation can be initiated with either address status processor (ADSP#) or address status controller (ADSC#) inputs. Subsequent burst addresses can be internally generated as controlled by the burst advance input (ADV#).

Address and write control are registered on-chip to simplify WRITE cycles. This allows self-timed WRITE cycles. Individual byte enables allow individual bytes to be written. During WRITE cycles on the x18 device, BWA# controls DQa's and DQPa; BWb# controls DQb's

and DQPb. During WRITE cycles on the x32 and x36 devices, BWA# controls DQa's and DQPa; BWb# controls DQb's and DQPb; BWC# controls DQc's and DQPC; BWD# controls DQd's and DQPD. GW# LOW causes all bytes to be written. Parity bits are only available on the x18 and x36 versions.

This device incorporates a single-cycle deselect feature during READ cycles. If the device is immediately deselected after a READ cycle, the output bus goes to a High-Z state <sup>t</sup>KQHZ nanoseconds after the rising edge of clock.

Micron's 4Mb SyncBurst SRAMs operate from a +3.3V V<sub>DD</sub> power supply, and all inputs and outputs are TTL-compatible. Users can choose either a 3.3V or 2.5V I/O version. The device is ideally suited for Pentium and PowerPC pipelined systems and systems that benefit from a very wide, high-speed data bus. The device is also ideal in generic 16-, 18-, 32-, 36-, 64- and 72-bit-wide applications.

Please refer to Micron's Web site ([www.micron.com/mti/msp/html/sramprod.html](http://www.micron.com/mti/msp/html/sramprod.html)) for the latest data sheet.

## TQFP PIN ASSIGNMENT TABLE

PIN #	x18	x32/x36
1	NC	NC/DQPC*
2	NC	DQc
3	NC	DQc
4	V <sub>DDQ</sub>	
5	V <sub>SS</sub>	
6	NC	DQc
7	NC	DQc
8	DQb	DQc
9	DQb	DQc
10	V <sub>SS</sub>	
11	V <sub>DDQ</sub>	
12	DQb	DQc
13	DQb	DQc
14	V <sub>DD</sub>	
15	V <sub>DD</sub>	
16	NC	
17	V <sub>SS</sub>	
18	DQb	DQd
19	DQb	DQd
20	V <sub>DDQ</sub>	
21	V <sub>SS</sub>	
22	DQb	DQd
23	DQb	DQd
24	DQPb	DQd
25	NC	DQd

PIN #	x18	x32/x36
26	V <sub>SS</sub>	
27	V <sub>DDQ</sub>	
28	NC	DQd
29	NC	DQd
30	NC	NC/DQPd*
31	MODE	
32	SA	
33	SA	
34	SA	
35	SA	
36	SA1	
37	SA0	
38	DNU	
39	DNU	
40	V <sub>SS</sub>	
41	V <sub>DD</sub>	
42	NF**	
43	NF**	
44	SA	
45	SA	
46	SA	
47	SA	
48	SA	
49	SA	
50	SA	

PIN #	x18	x32/x36
51	NC	NC/DQPa*
52	NC	DQa
53	NC	DQa
54	V <sub>DDQ</sub>	
55	V <sub>SS</sub>	
56	NC	DQa
57	NC	DQa
58	DQa	
59	DQa	
60	V <sub>SS</sub>	
61	V <sub>DDQ</sub>	
62	DQa	
63	DQa	
64	ZZ	
65	V <sub>DD</sub>	
66	NC	
67	V <sub>SS</sub>	
68	DQa	DQb
69	DQa	DQb
70	V <sub>DDQ</sub>	
71	V <sub>SS</sub>	
72	DQa	DQb
73	DQa	DQb
74	DQPa	DQb
75	NC	DQb

PIN #	x18	x32/x36
76	V <sub>SS</sub>	
77	V <sub>DDQ</sub>	
78	NC	DQb
79	NC	DQb
80	SA	NC/DQPb*
81	SA	
82	SA	
83	ADV#	
84	ADSP#	
85	ADSC#	
86	OE#	
87	BWE#	
88	GW#	
89	CLK	
90	V <sub>SS</sub>	
91	V <sub>DD</sub>	
92	CE2#	
93	BWA#	
94	BWb#	
95	NC	BWC#
96	NC	BWD#
97	CE2	
98	CE#	
99	SA	
100	SA	

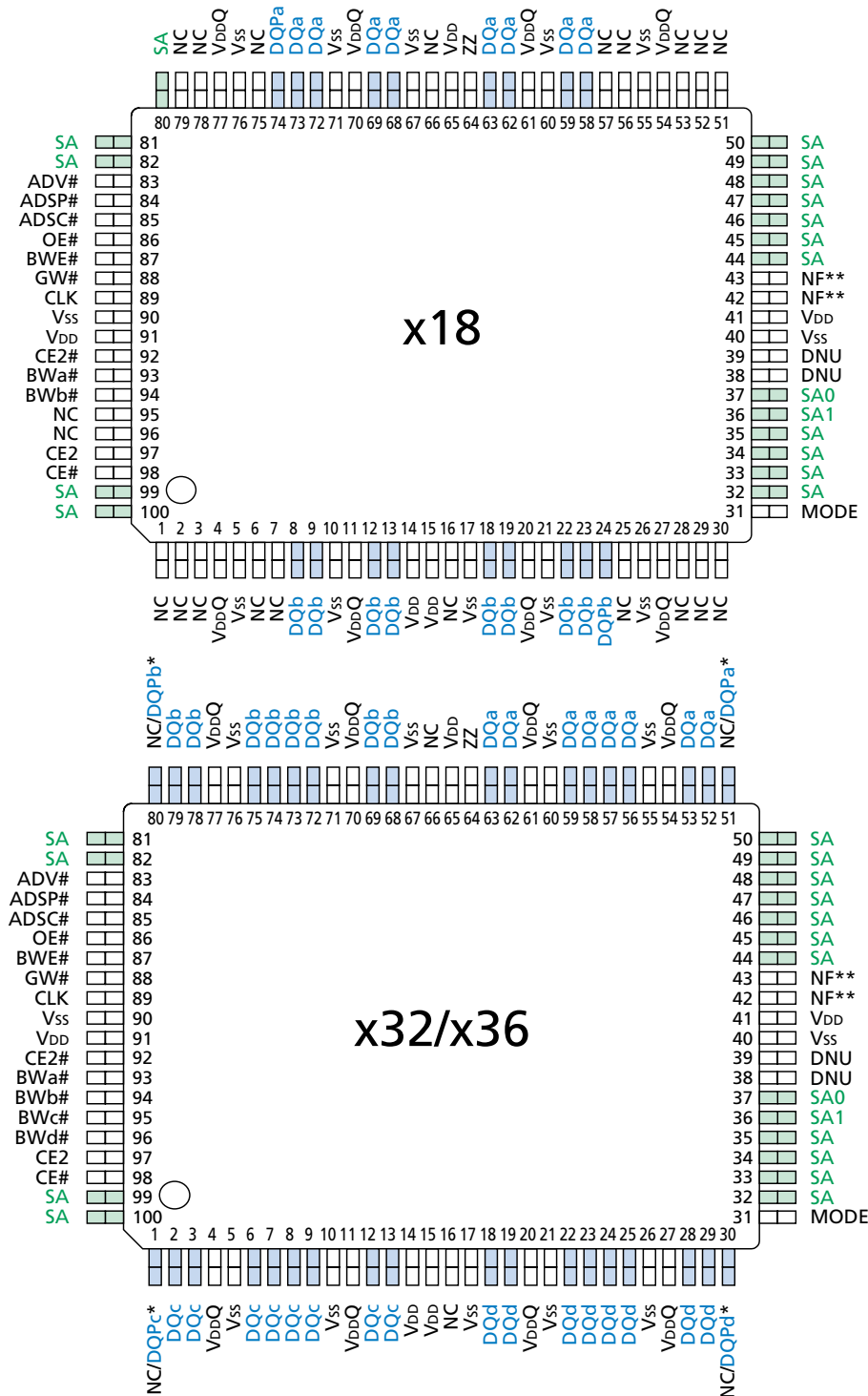
\*No Connect (NC) is used on the x32 version. Parity (DQPx) is used on the x36 version.

\*\*Pins 43 and 42 are reserved for address expansion, 8Mb and 16Mb respectively.



4Mb: 256K x 18, 128K x 32/36  
PIPELINED, SCD SYNCBURST SRAM

PIN ASSIGNMENT (TOP VIEW)  
100-PIN TQFP



\*No Connect (NC) is used on the x32 version. Parity (DQP<sub>x</sub>) is used on the x36 version.

\*\*Pins 43 and 42 are reserved for address expansion, 8Mb and 16Mb respectively.

**TQFP PIN DESCRIPTIONS**

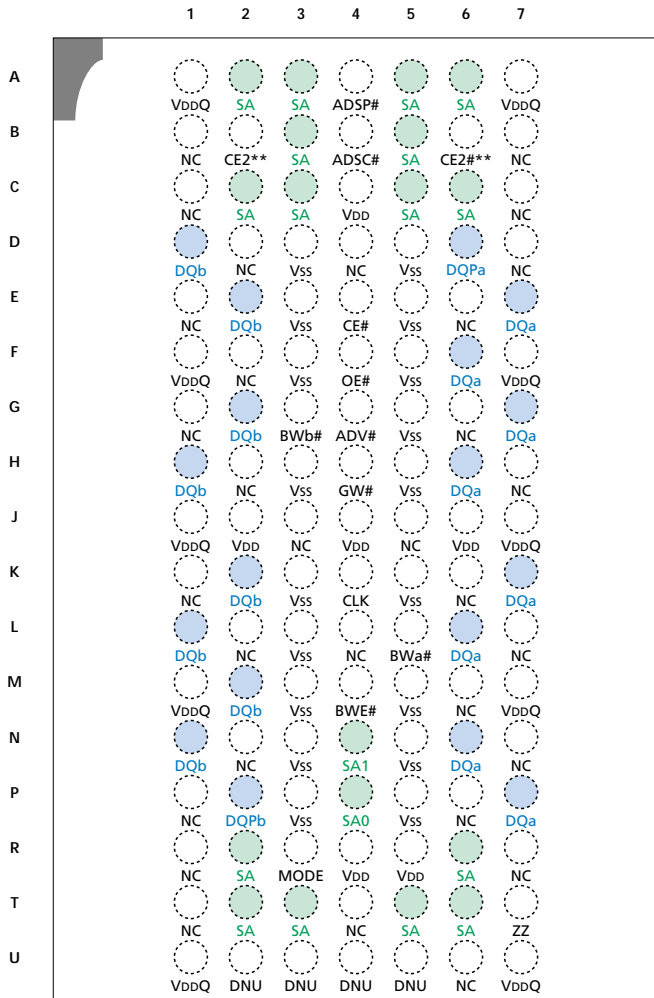
x18	x32/x36	SYMBOL	TYPE	DESCRIPTION
37 36 32-35, 44-50, 80-82, 99, 100	37 36 32-35, 44-50, 81, 82, 99, 100	SA0 SA1 SA	Input	Synchronous Address Inputs: These inputs are registered and must meet the setup and hold times around the rising edge of CLK.
93 94 – –	93 94 95 96	BWa# BWb# BWc# BWD#	Input	Synchronous Byte Write Enables: These active LOW inputs allow individual bytes to be written and must meet the setup and hold times around the rising edge of CLK. A byte write enable is LOW for a WRITE cycle and HIGH for a READ cycle. For the x18 version, BWa# controls DQa pins and DQP <sub>a</sub> ; BWb# controls DQb pins and DQP <sub>b</sub> . For the x32 and x36 versions, BWa# controls DQa pins and DQP <sub>a</sub> ; BWb# controls DQb pins and DQP <sub>b</sub> ; BWc# controls DQc pins and DQP <sub>c</sub> ; BWD# controls DQd pins and DQP <sub>d</sub> . Parity is only available on the x18 and x36 versions.
87	87	BWE#	Input	Byte Write Enable: This active LOW input permits BYTE WRITE operations and must meet the setup and hold times around the rising edge of CLK.
88	88	GW#	Input	Global Write: This active LOW input allows a full 18-, 32- or 36-bit WRITE to occur independent of the BWE# and BWx# lines and must meet the setup and hold times around the rising edge of CLK.
89	89	CLK	Input	Clock: This signal registers the address, data, chip enable, byte write enables and burst control inputs on its rising edge. All synchronous inputs must meet setup and hold times around the clock's rising edge.
98	98	CE#	Input	Synchronous Chip Enable: This active LOW input is used to enable the device and conditions the internal use of ADSP#. CE# is sampled only when a new external address is loaded.
92	92	CE2#	Input	Synchronous Chip Enable: This active LOW input is used to enable the device and is sampled only when a new external address is loaded.
97	97	CE2	Input	Synchronous Chip Enable: This active HIGH input is used to enable the device and is sampled only when a new external address is loaded.
86	86	OE#	Input	Output Enable: This active LOW, asynchronous input enables the data I/O output drivers.
83	83	ADV#	Input	Synchronous Address Advance: This active LOW input is used to advance the internal burst counter, controlling burst access after the external address is loaded. A HIGH on this pin effectively causes wait states to be generated (no address advance). To ensure use of correct address during a WRITE cycle, ADV# must be HIGH at the rising edge of the first clock after an ADSP# cycle is initiated.
84	84	ADSP#	Input	Synchronous Address Status Processor: This active LOW input interrupts any ongoing burst, causing a new external address to be registered. A READ is performed using the new address, independent of the byte write enables and ADSC#, but dependent upon CE#, CE2 and CE2#. ADSP# is ignored if CE# is HIGH. Power-down state is entered if CE2 is LOW or CE2# is HIGH.

**TQFP PIN DESCRIPTIONS (continued)**

x18	x32/x36	SYMBOL	TYPE	DESCRIPTION
85	85	ADSC#	Input	Synchronous Address Status Controller: This active LOW input interrupts any ongoing burst, causing a new external address to be registered. A READ or WRITE is performed using the new address if CE# is LOW. ADSC# is also used to place the chip into power-down state when CE# is HIGH.
31	31	MODE	Input	Mode: This input selects the burst sequence. A LOW on this pin selects "linear burst." NC or HIGH on this pin selects "interleaved burst." Do not alter input state while device is operating.
64	64	ZZ	Input	Snooze Enable: This active HIGH, asynchronous input causes the device to enter a low-power standby mode in which all data in the memory array is retained. When ZZ is active, all other inputs are ignored.
(a) 58, 59, 62, 63, 68, 69, 72, 73 (b) 8, 9, 12, 13, 18, 19, 22, 23	(a) 52, 53, 56-59, 62, 63  (b) 68, 69 72-75, 78, 79  (c) 2, 3, 6-9, 12, 13 (d) 18, 19, 22-25, 28, 29	DQa  DQb  DQc  DQd	Input/ Output	SRAM Data I/Os: For the x18 version, Byte "a" is DQa pins; Byte "b" is DQb pins. For the x32 and x36 versions, Byte "a" is DQa pins; Byte "b" is DQb pins; Byte "c" is DQc pins; Byte "d" is DQd pins. Input data must meet setup and hold times around the rising edge of CLK.
74 24 – –	51 80 1 30	NC/DQPa NC/DQPb NC/DQPc NC/DQPd	NC/ I/O	No Connect/Parity Data I/Os: On the x32 version, these pins are No Connect (NC). On the x18 version, Byte "a" parity is DQPa; Byte "b" parity is DQPb. On the x36 version, Byte "a" parity is DQPa; Byte "b" parity is DQPb; Byte "c" parity is DQPc; Byte "d" parity is DQPd.
14, 15, 41, 65, 91	14, 15, 41, 65, 91	V <sub>DD</sub>	Supply	Power Supply: See DC Electrical Characteristics and Operating Conditions for range.
4, 11, 20, 27, 54, 61, 70, 77	4, 11, 20, 27, 54, 61, 70, 77	V <sub>DDQ</sub>	Supply	Isolated Output Buffer Supply: See DC Electrical Characteristics and Operating Conditions for range.
5, 10, 17, 21, 26, 40, 55, 60, 67, 71, 76, 90	5, 10, 17, 21, 26, 40, 55, 60, 67, 71, 76, 90	V <sub>SS</sub>	Supply	Ground: GND.
38, 39	38, 39	DNU	–	Do Not Use: These signals may either be unconnected or wired to GND to improve package heat dissipation.
1-3, 6, 7, 16, 25, 28-30, 51-53, 56, 57, 66, 75, 78, 79, 95, 96	16, 66	NC	–	No Connect: These signals are not internally connected and may be connected to ground to improve package heat dissipation.
42, 43	42, 43	NF	–	No Function: These pins are internally connected to the die and have the capacitance of input pins. It is allowable to leave these pins unconnected or driven by signals. Reserved for address expansion; pin 43 becomes an SA at 8Mb density and pin 42 becomes an SA at 16Mb density.

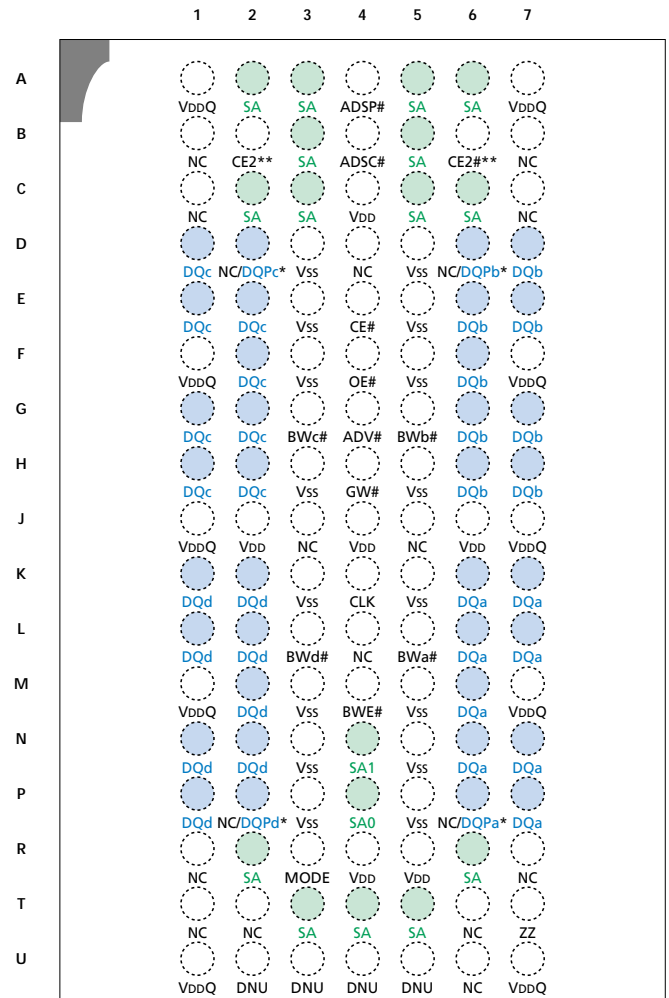
PIN LAYOUT (TOP VIEW)  
119-PIN BGA

x18



TOP VIEW

x32/x36



TOP VIEW

\*No Connect (NC) is used on the x32 version. Parity (DQPx) is used on the x36 version.  
\*\*Pins 6B and 2B are reserved for address expansion, 8Mb and 16Mb respectively.



**BGA PIN DESCRIPTIONS**

x18	x32/x36	SYMBOL	TYPE	DESCRIPTION
4P 4N 2A, 3A, 5A, 6A, 3B, 5B, 2C, 3C, 5C, 6C, 2R, 6R, 2T, 3T, 5T, 6T	4P 4N 2A, 2C, 2R, 3A, 3B, 3C, 3T, 4T, 5A, 5B, 5C, 5T, 6A, 6C, 6R	SA0 SA1 SA	Input	Synchronous Address Inputs: These inputs are registered and must meet the setup and hold times around the rising edge of CLK.
5L 3G – –	5L 5G 3G 3L	BWa# BWb# BWc# BWD#	Input	Synchronous Byte Write Enables: These active LOW inputs allow individual bytes to be written and must meet the setup and hold times around the rising edge of CLK. A byte write enable is LOW for a WRITE cycle and HIGH for a READ cycle. For the x18 version, BWa# controls DQa's and DQPa; BWb# controls DQb's and DQPb. For the x32 and x36 versions, BWa# controls DQa's and DQPa; BWb# controls DQb's and DQPb; BWc# controls DQc's and DQPc; BWD# controls DQd's and DQPd. Parity is only available on the x18 and x36 versions.
4M	4M	BWE#	Input	Byte Write Enable: This active LOW input permits BYTE WRITE operations and must meet the setup and hold times around the rising edge of CLK.
4H	4H	GW#	Input	Global Write: This active LOW input allows a full 18-, 32- or 36-bit WRITE to occur independent of the BWE# and BWx# lines and must meet the setup and hold times around the rising edge of CLK.
4K	4K	CLK	Input	Clock: This signal registers the address, data, chip enable, byte write enables and burst control inputs on its rising edge. All synchronous inputs must meet setup and hold times around the clock's rising edge.
4E	4E	CE#	Input	Synchronous Chip Enable: This active LOW input is used to enable the device and conditions the internal use of ADSP#. CE# is sampled only when a new external address is loaded.
6B	6B	CE2#	Input	Synchronous Chip Enable: This active LOW input is used to enable the device and is sampled only when a new external address is loaded. Pin 6B becomes an SA at 8Mb density.
7T	7T	ZZ	Input	Snooze Enable: This active HIGH, asynchronous input causes the device to enter a low-power standby mode in which all data in the memory array is retained. When ZZ is active, all other inputs are ignored.
2B	2B	CE2	Input	Synchronous Chip Enable: This active HIGH input is used to enable the device and is sampled only when a new external address is loaded. Pin 2B becomes an SA at 16Mb density.
4F	4F	OE#	Input	Output Enable: This active LOW, asynchronous input enables the data I/O output drivers.
4G	4G	ADV#	Input	Synchronous Address Advance: This active LOW input is used to advance the internal burst counter, controlling burst access after the external address is loaded. A HIGH on ADV# effectively causes wait states to be generated (no address advance). To ensure use of correct address during a WRITE cycle, ADV# must be HIGH at the rising edge of the first clock after an ADSP# cycle is initiated.

**BGA PIN DESCRIPTIONS (continued)**

x18	x32/x36	SYMBOL	TYPE	DESCRIPTION
4A	4A	ADSP#	Input	Synchronous Address Status Processor: This active LOW input interrupts any ongoing burst, causing a new external address to be registered. A READ is performed using the new address, independent of the byte write enables and ADSC#, but dependent upon CE#, CE2 and CE2#. ADSP# is ignored if CE# is HIGH. Power-down state is entered if CE2 is LOW or CE2# is HIGH.
4B	4B	ADSC#	Input	Synchronous Address Status Controller: This active LOW input interrupts any ongoing burst, causing a new external address to be registered. A READ or WRITE is performed using the new address if CE# is LOW. ADSC# is also used to place the chip into power-down state when CE# is HIGH.
3R	3R	MODE	Input	Mode: This input selects the burst sequence. A LOW on this input selects "linear burst." NC or HIGH on this input selects "interleaved burst." Do not alter input state while device is operating.
(a) 6F, 6H, 6L, 6N, 7E, 7G, 7K, 7P (b) 1D, 1H, 1L, 1N, 2E, 2G, 2K, 2M	(a) 6K, 6L, 6M, 6N, 7K, 7L, 7N, 7P (b) 6E, 6F, 6G, 6H, 7D, 7E, 7G, 7H (c) 1D, 1E, 1G, 1H, 2E, 2F, 2G, 2H (d) 1K, 1L, 1N, 1P, 2K, 2L, 2M, 2N	DQa  DQb  DQc  DQd	Input/ Output	SRAM Data I/Os: For the x18 version, Byte "a" is DQa's; Byte "b" is DQb's. For the x32 and x36 versions, Byte "a" is DQa's; Byte "b" is DQb's; Byte "c" is DQc's; Byte "d" is DQd's. Input data must meet setup and hold times around the rising edge of CLK.
6D 2P – –	6P 6D 2D 2P	NC/DQP a b c d	NC/ I/O	No Connect/Parity Data I/Os: On the x32 version, these are No Connect (NC). On the x18 version, Byte "a" parity is DQP <sub>a</sub> ; Byte "b" parity is DQP <sub>b</sub> . On the x36 version, Byte "a" parity is DQP <sub>a</sub> ; Byte "b" parity is DQP <sub>b</sub> ; Byte "c" parity is DQP <sub>c</sub> ; Byte "d" parity is DQP <sub>d</sub> .
2J, 4C, 4J, 4R, 5R, 6J	2J, 4C, 4J, 4R, 5R, 6J	V <sub>DD</sub>	Supply	Power Supply: See DC Electrical Characteristics and Operating Conditions for range.
1A, 1F, 1J, 1M, 1U, 7A, 7F, 7J, 7M, 7U	1A, 1F, 1J, 1M, 1U, 7A, 7F, 7J, 7M, 7U	V <sub>DDQ</sub>	Supply	Isolated Output Buffer Supply: See DC Electrical Characteristics and Operating Conditions for range.
3D, 3E, 3F, 3H, 3K, 3L, 3M, 3N, 3P, 5D, 5E, 5F, 5G, 5H, 5K, 5M, 5N, 5P	3D, 3E, 3F, 3H, 3K, 3M, 3N, 3P, 5D, 5E, 5F, 5H, 5K, 5M, 5N, 5P	V <sub>SS</sub>	Supply	Ground: GND.

**BGA PIN DESCRIPTIONS (continued)**

x18	x32/x36	SYMBOL	TYPE	DESCRIPTION
2U, 3U, 4U, 5U	2U, 3U, 4U, 5U	DNU	–	Do Not Use: These signals may either be unconnected or wired to GND to improve package heat dissipation.
1B, 1C, 1E, 1G, 1K, 1P, 1R, 1T, 2D, 2F, 2H, 2L, 2N, 3J, 4D, 4L, 4T, 5J, 6E, 6G, 6K, 6M, 6P, 6U, 7B, 7C, 7D, 7H, 7L, 7N, 7R	1B, 1C, 1R, 1T, 2T, 3J, 4D, 4L, 5J, 6T, 6U, 7B, 7C, 7R	NC	–	No Connect: These signals are not internally connected and may be connected to ground to improve package heat dissipation.

**INTERLEAVED BURST ADDRESS TABLE (MODE = NC OR HIGH)**

FIRST ADDRESS (EXTERNAL)	SECOND ADDRESS (INTERNAL)	THIRD ADDRESS (INTERNAL)	FOURTH ADDRESS (INTERNAL)
X...X00	X...X01	X...X10	X...X11
X...X01	X...X00	X...X11	X...X10
X...X10	X...X11	X...X00	X...X01
X...X11	X...X10	X...X01	X...X00

**LINEAR BURST ADDRESS TABLE (MODE = LOW)**

FIRST ADDRESS (EXTERNAL)	SECOND ADDRESS (INTERNAL)	THIRD ADDRESS (INTERNAL)	FOURTH ADDRESS (INTERNAL)
X...X00	X...X01	X...X10	X...X11
X...X01	X...X10	X...X11	X...X00
X...X10	X...X11	X...X00	X...X01
X...X11	X...X00	X...X01	X...X10

**PARTIAL TRUTH TABLE FOR WRITE COMMANDS (x18)**

FUNCTION	GW#	BWE#	BWa#	BWb#
READ	H	H	X	X
READ	H	L	H	H
WRITE Byte "a"	H	L	L	H
WRITE Byte "b"	H	L	H	L
WRITE All Bytes	H	L	L	L
WRITE All Bytes	L	X	X	X

**PARTIAL TRUTH TABLE FOR WRITE COMMANDS (x32/x36)**

FUNCTION	GW#	BWE#	BWa#	BWb#	BWc#	BWd#
READ	H	H	X	X	X	X
READ	H	L	H	H	H	H
WRITE Byte "a"	H	L	L	H	H	H
WRITE All Bytes	H	L	L	L	L	L
WRITE All Bytes	L	X	X	X	X	X

**NOTE:** Using BWE# and BWa# through BWd#, any one or more bytes may be written.

**TRUTH TABLE**

OPERATION	ADDRESS USED	CE#	CE2#	CE2	ZZ	ADSP#	ADSC#	ADV#	WRITE#	OE#	CLK	DQ
DESELECT Cycle, Power-Down	None	H	X	X	L	X	L	X	X	X	L-H	High-Z
DESELECT Cycle, Power-Down	None	L	X	L	L	L	X	X	X	X	L-H	High-Z
DESELECT Cycle, Power-Down	None	L	H	X	L	L	X	X	X	X	L-H	High-Z
DESELECT Cycle, Power-Down	None	L	X	L	L	H	L	X	X	X	L-H	High-Z
DESELECT Cycle, Power-Down	None	L	H	X	L	H	L	X	X	X	L-H	High-Z
SNOOZE MODE, Power-Down	None	X	X	X	H	X	X	X	X	X	X	High-Z
READ Cycle, Begin Burst	External	L	L	H	L	L	X	X	X	L	L-H	Q
READ Cycle, Begin Burst	External	L	L	H	L	L	X	X	X	H	L-H	High-Z
WRITE Cycle, Begin Burst	External	L	L	H	L	H	L	X	L	X	L-H	D
READ Cycle, Begin Burst	External	L	L	H	L	H	L	X	H	L	L-H	Q
READ Cycle, Begin Burst	External	L	L	H	L	H	L	X	H	H	L-H	High-Z
READ Cycle, Continue Burst	Next	X	X	X	L	H	H	L	H	L	L-H	Q
READ Cycle, Continue Burst	Next	X	X	X	L	H	H	L	H	H	L-H	High-Z
READ Cycle, Continue Burst	Next	H	X	X	L	X	H	L	H	L	L-H	Q
READ Cycle, Continue Burst	Next	H	X	X	L	X	H	L	H	H	L-H	High-Z
WRITE Cycle, Continue Burst	Next	X	X	X	L	H	H	L	L	X	L-H	D
WRITE Cycle, Continue Burst	Next	H	X	X	L	X	H	L	L	X	L-H	D
READ Cycle, Suspend Burst	Current	X	X	X	L	H	H	H	H	L	L-H	Q
READ Cycle, Suspend Burst	Current	X	X	X	L	H	H	H	H	H	L-H	High-Z
READ Cycle, Suspend Burst	Current	H	X	X	L	X	H	H	H	L	L-H	Q
READ Cycle, Suspend Burst	Current	H	X	X	L	X	H	H	H	H	L-H	High-Z
WRITE Cycle, Suspend Burst	Current	X	X	X	L	H	H	H	L	X	L-H	D
WRITE Cycle, Suspend Burst	Current	H	X	X	L	X	H	H	L	X	L-H	D

- NOTE:**
1. X means "Don't Care." # means active LOW. H means logic HIGH. L means logic LOW.
  2. For WRITE#, L means any one or more byte write enable signals (BWA#, BWB#, BWC# or BWD#) and BWE# are LOW or GW# is LOW. WRITE# = H for all BWx#, BWE#, GW# HIGH.
  3. BWA# enables WRITES to DQa's and DQPa. BWB# enables WRITES to DQb's and DQPb. BWC# enables WRITES to DQc's and DQpc. BWD# enables WRITES to DQd's and DQPd. DQPa and DQPb are only available on the x18 and x36 versions. DQpc and DQPd are only available on the x36 version.
  4. All inputs except OE# and ZZ must meet setup and hold times around the rising edge (LOW to HIGH) of CLK.
  5. Wait states are inserted by suspending burst.
  6. For a WRITE operation following a READ operation, OE# must be HIGH before the input data setup time and held HIGH throughout the input data hold time.
  7. This device contains circuitry that will ensure the outputs will be in High-Z during power-up.
  8. ADSP# LOW always initiates an internal READ at the L-H edge of CLK. A WRITE is performed by setting one or more byte write enable signals and BWE# LOW or GW# LOW for the subsequent L-H edge of CLK. Refer to WRITE timing diagram for clarification.

### ABSOLUTE MAXIMUM RATINGS\*

Voltage on V <sub>DD</sub> Supply	
Relative to V <sub>SS</sub> .....	-0.5V to +4.6V
Voltage on V <sub>DDQ</sub> Supply	
Relative to V <sub>SS</sub> .....	-0.5V to +4.6V
V <sub>IN</sub> -0.5V to V <sub>DDQ</sub> + 0.5V	
Storage Temperature (plastic) .....	-55°C to +150°C
Storage Temperature (BGA) .....	-55°C to +125°C
Junction Temperature** .....	+150°C
Short Circuit Output Current .....	100mA

\*Stresses greater than those listed under “Absolute Maximum Ratings” may cause permanent damage to the device. This is a stress rating only, and functional operation of the device at these or any other conditions above those indicated in the operational sections of this specification is not implied. Exposure to absolute maximum rating conditions for extended periods may affect reliability.

\*\*Maximum junction temperature depends upon package type, cycle time, loading, ambient temperature and airflow. See Micron Technical Note TN-05-14 for more information.

### 3.3V I/O DC ELECTRICAL CHARACTERISTICS AND OPERATING CONDITIONS

(0°C ≤ T<sub>A</sub> ≤ +70°C; V<sub>DD</sub>, V<sub>DDQ</sub> = +3.3V +0.3V/-0.165V unless otherwise noted)

DESCRIPTION	CONDITIONS	SYMBOL	MIN	MAX	UNITS	NOTES
Input High (Logic 1) Voltage		V <sub>IH</sub>	2.0	V <sub>DD</sub> + 0.3	V	1, 2
Input Low (Logic 0) Voltage		V <sub>IL</sub>	-0.3	0.8	V	1, 2
Input Leakage Current	0V ≤ V <sub>IN</sub> ≤ V <sub>DD</sub>	I <sub>LI</sub>	-1.0	1.0	μA	3
Output Leakage Current	Output(s) disabled, 0V ≤ V <sub>IN</sub> ≤ V <sub>DD</sub>	I <sub>LO</sub>	-1.0	1.0	μA	
Output High Voltage	I <sub>OH</sub> = -4.0mA	V <sub>OH</sub>	2.4	–	V	1, 4
Output Low Voltage	I <sub>OL</sub> = 8.0mA	V <sub>OL</sub>	–	0.4	V	1, 4
Supply Voltage		V <sub>DD</sub>	3.135	3.6	V	1
Isolated Output Buffer Supply		V <sub>DDQ</sub>	3.135	3.6	V	1, 5

- NOTE:**
- All voltages referenced to V<sub>SS</sub> (GND).
  - Overshoot: V<sub>IH</sub> ≤ +4.6V for t ≤ <sup>t</sup>KC/2 for I ≤ 20mA  
Undershoot: V<sub>IL</sub> ≥ -0.7V for t ≤ <sup>t</sup>KC/2 for I ≤ 20mA  
Power-up: V<sub>IH</sub> ≤ +3.6V and V<sub>DD</sub> ≤ 3.135V for t ≤ 200ms
  - MODE pin has an internal pull-up, and input leakage = ±10μA.
  - The load used for V<sub>OH</sub>, V<sub>OL</sub> testing is shown in Figure 2 for 3.3V I/O. AC load current is higher than the shown DC values. AC I/O curves are available upon request.
  - V<sub>DDQ</sub> should never exceed V<sub>DD</sub>. V<sub>DD</sub> and V<sub>DDQ</sub> can be connected together, for 3.3V I/O operation only.

## 2.5V I/O DC ELECTRICAL CHARACTERISTICS AND OPERATING CONDITIONS

( $0^{\circ}\text{C} \leq T_A \leq +70^{\circ}\text{C}$ ;  $V_{DD} = +3.3\text{V} +0.3\text{V}/-0.165\text{V}$ ;  $V_{DDQ} = +2.5\text{V} +0.4\text{V}/-0.125\text{V}$  unless otherwise noted)

DESCRIPTION	CONDITIONS	SYMBOL	MIN	MAX	UNITS	NOTES
Input High (Logic 1) Voltage	Data bus (DQx)	$V_{IHQ}$	1.7	$V_{DDQ} + 0.3$	V	1, 2
	Inputs	$V_{IH}$	1.7	$V_{DD} + 0.3$	V	1, 2
Input Low (Logic 0) Voltage		$V_{IL}$	-0.3	0.7	V	1, 2
Input Leakage Current	$0\text{V} \leq V_{IN} \leq V_{DD}$	$I_{LI}$	-1.0	1.0	$\mu\text{A}$	3
Output Leakage Current	Output(s) disabled, $0\text{V} \leq V_{IN} \leq V_{DDQ}$ (DQx)	$I_{LO}$	-1.0	1.0	$\mu\text{A}$	
Output High Voltage	$I_{OH} = -2.0\text{mA}$	$V_{OH}$	1.7	-	V	1, 4
	$I_{OH} = -1.0\text{mA}$	$V_{OH}$	2.0	-	V	1, 4
Output Low Voltage	$I_{OL} = 2.0\text{mA}$	$V_{OL}$	-	0.7	V	1, 4
	$I_{OL} = 1.0\text{mA}$	$V_{OL}$	-	0.4	V	1, 4
Supply Voltage		$V_{DD}$	3.135	3.6	V	1
Isolated Output Buffer Supply		$V_{DDQ}$	2.375	2.9	V	1

## TQFP THERMAL RESISTANCE

DESCRIPTION	CONDITIONS	SYMBOL	TYP	UNITS	NOTES
Thermal Resistance (Junction to Ambient)	Test conditions follow standard test methods and procedures for measuring thermal impedance, per EIA/JESD51.	$\theta_{JA}$	46	$^{\circ}\text{C}/\text{W}$	5
Thermal Resistance (Junction to Top of Case)		$\theta_{JC}$	2.8	$^{\circ}\text{C}/\text{W}$	5

## BGA THERMAL RESISTANCE

DESCRIPTION	CONDITIONS	SYMBOL	TYP	UNITS	NOTES
Junction to Ambient (Airflow of 1m/s)	Test conditions follow standard test methods and procedures for measuring thermal impedance, per EIA/JESD51.	$\theta_{JA}$	40	$^{\circ}\text{C}/\text{W}$	5
Junction to Case (Top)		$\theta_{JC}$	9	$^{\circ}\text{C}/\text{W}$	5
Junction to Pins (Bottom)		$\theta_{JB}$	17	$^{\circ}\text{C}/\text{W}$	5

- NOTE:**
- All voltages referenced to  $V_{SS}$  (GND).
  - Overshoot:  $V_{IH} \leq +4.6\text{V}$  for  $t \leq t_{KC}/2$  for  $I \leq 20\text{mA}$   
Undershoot:  $V_{IL} \geq -0.7\text{V}$  for  $t \leq t_{KC}/2$  for  $I \leq 20\text{mA}$   
Power-up:  $V_{IH} \leq +3.6\text{V}$  and  $V_{DD} \leq 3.135\text{V}$  for  $t \leq 200\text{ms}$
  - MODE has an internal pull-up, and input leakage =  $\pm 10\mu\text{A}$ .
  - The load used for  $V_{OH}$ ,  $V_{OL}$  testing is shown in Figure 4 for 2.5V I/O. AC load current is higher than the shown DC values. AC I/O curves are available upon request.
  - This parameter is sampled.

**I<sub>DD</sub> OPERATING CONDITIONS AND MAXIMUM LIMITS**

 (Note 1) ( $0^{\circ}\text{C} \leq T_A \leq +70^{\circ}\text{C}$ ;  $V_{DD} = +3.3\text{V} +0.3\text{V}/-0.165\text{V}$  unless otherwise noted)

DESCRIPTION	CONDITIONS	SYM	TYP	MAX						UNITS	NOTES
				-4	-4.4	-5	-6	-7.5	-10		
Power Supply Current: Operating	Device selected; All inputs $\leq V_{IL}$ or $\geq V_{IH}$ ; Cycle time $\geq 1\text{KC MIN}$ ; $V_{DD} = \text{MAX}$ ; Outputs open	I <sub>DD</sub>	225	625	575	525	475	375	300	mA	2, 3, 4
Power Supply Current: Idle	Device selected; $V_{DD} = \text{MAX}$ ; ADSC#, ADSP#, GW#, BWx#, ADV# $\geq V_{IH}$ ; All inputs $\leq V_{SS} + 0.2$ or $\geq V_{DDQ} - 0.2$ ; Cycle time $\geq 1\text{KC MIN}$	I <sub>DD1</sub>	55	140	130	120	110	90	85	mA	2, 3, 4
CMOS Standby	Device deselected; $V_{DD} = \text{MAX}$ ; All inputs $\leq V_{SS} + 0.2$ or $\geq V_{DDQ} - 0.2$ ; All inputs static; CLK frequency = 0	I <sub>SB2</sub>	0.4	10	10	10	10	10	10	mA	3, 4
TTL Standby	Device deselected; $V_{DD} = \text{MAX}$ ; All inputs $\leq V_{IL}$ or $\geq V_{IH}$ ; All inputs static; CLK frequency = 0	I <sub>SB3</sub>	8	25	25	25	25	25	25	mA	3, 4
Clock Running	Device deselected; $V_{DD} = \text{MAX}$ ; ADSC#, ADSP#, GW#, BWx#, ADV# $\geq V_{IH}$ ; All inputs $\leq V_{SS} + 0.2$ or $\geq V_{DDQ} - 0.2$ ; Cycle time $\geq 1\text{KC MIN}$	I <sub>SB4</sub>	55	140	130	120	110	90	85	mA	3, 4

**TQFP CAPACITANCE**

DESCRIPTION	CONDITIONS	SYMBOL	TYP	MAX	UNITS	NOTES
Control Input Capacitance	$T_A = 25^{\circ}\text{C}$ ; $f = 1\text{ MHz}$ ; $V_{DD} = 3.3\text{V}$	C <sub>i</sub>	3	4	pF	5
Input/Output Capacitance (DQ)		C <sub>o</sub>	4	5	pF	5
Address Capacitance		C <sub>A</sub>	3	3.5	pF	5
Clock Capacitance		C <sub>CK</sub>	3	3.5	pF	5

**BGA CAPACITANCE**

DESCRIPTION	CONDITIONS	SYMBOL	TYP	MAX	UNITS	NOTES
Address/Control Input Capacitance	$T_A = 25^{\circ}\text{C}$ ; $f = 1\text{ MHz}$ ; $V_{DD} = 3.3\text{V}$	C <sub>i</sub>	4	7	pF	5
Input/Output Capacitance (DQ)		C <sub>o</sub>	4.5	5.5	pF	5
Address Capacitance		C <sub>A</sub>	4	7	pF	5
Clock Capacitance		C <sub>CK</sub>	4.5	5.5	pF	5

- NOTE:**
- $V_{DDQ} = +3.3\text{V} +0.3\text{V}/-0.165\text{V}$  for 3.3V I/O configuration;  $V_{DDQ} = +2.5\text{V} +0.4\text{V}/-0.125\text{V}$  for 2.5V I/O configuration.
  - I<sub>DD</sub> is specified with no output current and increases with faster cycle times. I<sub>DDQ</sub> increases with faster cycle times and greater output loading.
  - "Device deselected" means device is in power-down mode as defined in the truth table. "Device selected" means device is active (not in power-down mode).
  - Typical values are measured at 3.3V, 25°C and 10ns cycle time.
  - This parameter is sampled.



**ELECTRICAL CHARACTERISTICS AND RECOMMENDED AC OPERATING CONDITIONS**

 (Note 1) ( $0^{\circ}\text{C} \leq T_A \leq +70^{\circ}\text{C}$ ;  $V_{DD} = +3.3\text{V} +0.3\text{V}/-0.165\text{V}$  unless otherwise noted)

DESCRIPTION	SYM	-4		-4.4		-5		-6		-7.5		-10		UNITS	NOTES
		MIN	MAX	MIN	MAX	MIN	MAX	MIN	MAX	MIN	MAX	MIN	MAX		
<b>Clock</b>															
Clock cycle time	$t_{KC}$	4		4.4		5.0		6.0		7.5		10		ns	
Clock frequency	$f_{KF}$		250		225		200		166		133		100	MHz	
Clock HIGH time	$t_{KH}$	1.6		1.7		2.0		2.3		2.5		3.0		ns	2
Clock LOW time	$t_{KL}$	1.6		1.7		2.0		2.3		2.5		3.0		ns	2
<b>Output Times</b>															
Clock to output valid	$t_{KQ}$		2.3		2.6		2.8		3.5		4.0		5.0	ns	
Clock to output invalid	$t_{KQX}$	1		1		1.0		1.5		1.5		1.5		ns	3
Clock to output in Low-Z	$t_{KQLZ}$	0		0		0		0		0		1.5		ns	3, 4, 5, 6
Clock to output in High-Z	$t_{KQHZ}$		2.3		2.6		2.8		3.5		4.2		5.0	ns	3, 4, 5, 6
OE# to output valid	$t_{OEQ}$		2.3		2.6		2.8		3.5		4.2		5.0	ns	7
OE# to output in Low-Z	$t_{OELZ}$	0		0		0		0		0		0		ns	3, 4, 5, 6
OE# to output in High-Z	$t_{OEHZ}$		2.3		2.6		2.8		3.5		4.2		4.5	ns	3, 4, 5, 6
<b>Setup Times</b>															
Address	$t_{AS}$	0.8		1		1.3		1.5		1.5		2.0		ns	8, 9
Address status (ADSC#, ADSP#)	$t_{ADSS}$	0.8		1		1.3		1.5		1.5		2.0		ns	8, 9
Address advance (ADV#)	$t_{AAS}$	0.8		1		1.3		1.5		1.5		2.0		ns	8, 9
Write signals (BwA#-BwD#, BwE#, GW#)	$t_{WS}$	0.8		1		1.3		1.5		1.5		2.0		ns	8, 9
Data-in	$t_{DS}$	0.8		1		1.3		1.5		1.5		2.0		ns	8, 9
Chip enables (CE#, CE2#, CE2)	$t_{CES}$	0.8		1		1.3		1.5		1.5		2.0		ns	8, 9
<b>Hold Times</b>															
Address	$t_{AH}$	0.2		0.3		0.5		0.5		0.5		0.5		ns	8, 9
Address status (ADSC#, ADSP#)	$t_{ADSH}$	0.2		0.3		0.5		0.5		0.5		0.5		ns	8, 9
Address advance (ADV#)	$t_{AAH}$	0.2		0.3		0.5		0.5		0.5		0.5		ns	8, 9
Write signals (BwA#-BwD#, BwE#, GW#)	$t_{WH}$	0.2		0.3		0.5		0.5		0.5		0.5		ns	8, 9
Data-in	$t_{DH}$	0.2		0.3		0.5		0.5		0.5		0.5		ns	8, 9
Chip enables (CE#, CE2#, CE2)	$t_{CEH}$	0.2		0.3		0.5		0.5		0.5		0.5		ns	8, 9

- NOTE:**
1. Test conditions as specified with the output loading shown in Figure 1 for 3.3V I/O ( $V_{DDQ} = +3.3\text{V} +0.3\text{V}/-0.165\text{V}$ ) and Figure 3 for 2.5V I/O ( $V_{DDQ} = +2.5\text{V} +0.4\text{V}/-0.125\text{V}$ ) unless otherwise noted.
  2. Measured as HIGH above  $V_{IH}$  and LOW below  $V_{IL}$ .
  3. This parameter is measured with the output loading shown in Figure 2 for 3.3V I/O and Figure 4 for 2.5V I/O.
  4. This parameter is sampled.
  5. Transition is measured  $\pm 500\text{mV}$  from steady state voltage.
  6. Refer to Technical Note TN-58-09, "Synchronous SRAM Bus Contention Design Considerations," for a more thorough discussion on these parameters.
  7. OE# is a "Don't Care" when a byte write enable is sampled LOW.
  8. A WRITE cycle is defined by at least one byte write enable LOW and ADSP# HIGH for the required setup and hold times. A READ cycle is defined by all byte write enables HIGH and ADSC# or ADV# LOW or ADSP# LOW for the required setup and hold times.
  9. This is a synchronous device. All addresses must meet the specified setup and hold times for all rising edges of CLK when either ADSP# or ADSC# is LOW and chip enabled. All other synchronous inputs must meet the setup and hold times with stable logic levels for all rising edges of clock (CLK) when the chip is enabled. Chip enable must be valid at each rising edge of CLK when either ADSP# or ADSC# is LOW to remain enabled.

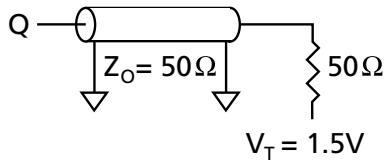
**3.3V I/O AC TEST CONDITIONS**

Input pulse levels .....	$V_{IH} = (V_{DD}/2.2) + 1.5V$
.....	$V_{IL} = (V_{DD}/2.2) - 1.5V$
Input rise and fall times .....	1ns
Input timing reference levels .....	$V_{DD}/2.2$
Output reference levels .....	$V_{DDQ}/2.2$
Output load .....	See Figures 1 and 2

**2.5V I/O AC TEST CONDITIONS**

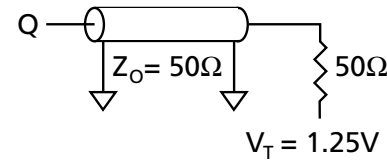
Input pulse levels .....	$V_{IH} = (V_{DD}/2.64) + 1.25V$
.....	$V_{IL} = (V_{DD}/2.64) - 1.25V$
Input rise and fall times .....	1ns
Input timing reference levels .....	$V_{DD}/2.64$
Output reference levels .....	$V_{DDQ}/2$
Output load .....	See Figures 3 and 4

**3.3V I/O Output Load Equivalentents**

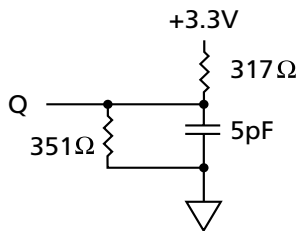


**Figure 1**

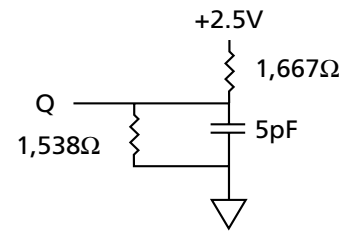
**2.5V I/O Output Load Equivalentents**



**Figure 3**



**Figure 2**



**Figure 4**

**LOAD DERATING CURVES**

Micron 256K x 18, 128K x 32, and 128K x 36 SyncBurst SRAM timing is dependent upon the capacitive loading on the outputs.

Consult the factory for copies of I/O current versus voltage curves.

## SNOOZE MODE

SNOOZE MODE is a low-current, “power-down” mode in which the device is deselected and current is reduced to  $I_{SB2Z}$ . The duration of SNOOZE MODE is dictated by the length of time ZZ is in a HIGH state. After the device enters SNOOZE MODE, all inputs except ZZ become gated inputs and are ignored.

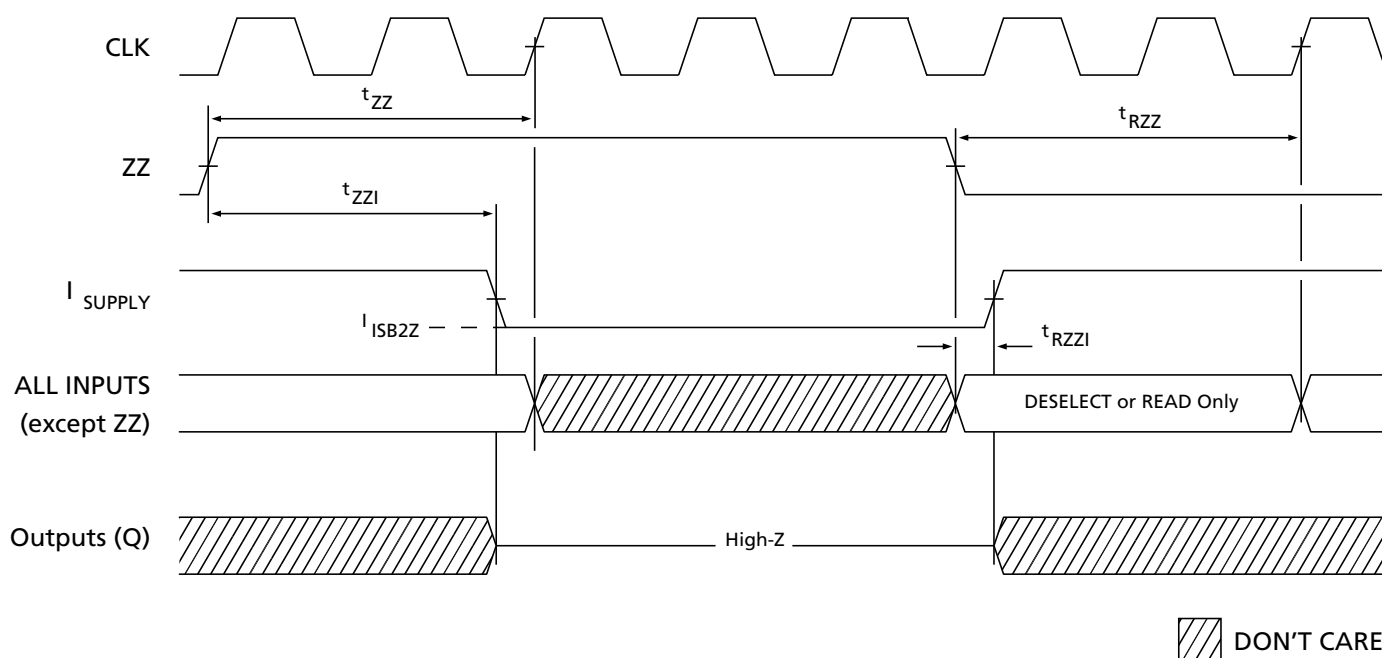
ZZ is an asynchronous, active HIGH input that causes the device to enter SNOOZE MODE. When ZZ becomes a logic HIGH,  $I_{SB2Z}$  is guaranteed after the setup time  $t_{ZZ}$  is met. Any READ or WRITE operation pending when the device enters SNOOZE MODE is not guaranteed to complete successfully. Therefore, SNOOZE MODE must not be initiated until valid pending operations are completed.

## SNOOZE MODE ELECTRICAL CHARACTERISTICS

DESCRIPTION	CONDITIONS	SYMBOL	MIN	MAX	UNITS	NOTES
Current during SNOOZE MODE	$ZZ \geq V_{IH}$	$I_{SB2Z}$		10	mA	
ZZ active to input ignored		$t_{ZZ}$		$2(t_{KC})$	ns	1
ZZ inactive to input sampled		$t_{RZZ}$	$2(t_{KC})$		ns	1
ZZ active to snooze current		$t_{ZZI}$		$2(t_{KC})$	ns	1
ZZ inactive to exit snooze current		$t_{RZZI}$	0		ns	1

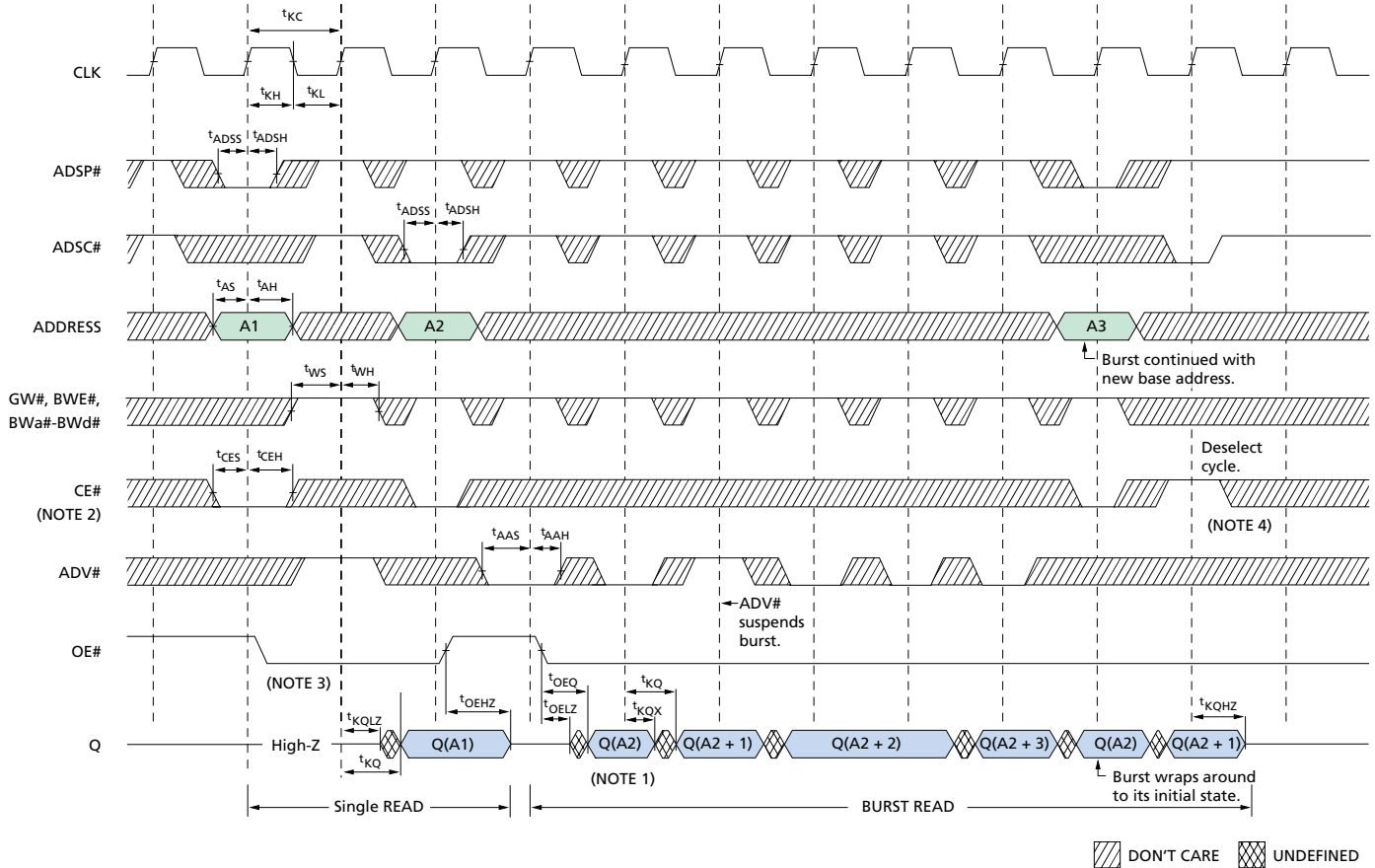
NOTE: 1. This parameter is sampled.

## SNOOZE MODE WAVEFORM



### READ TIMING<sup>3</sup>

(READ timing parameters are contained on the following page.)



- NOTE:**
1. Q(A2) refers to output from address A2. Q(A2 + 1) refers to output from the next internal burst address following A2.
  2. CE2# and CE2 have timing identical to CE#. On this diagram, when CE# is LOW, CE2# is LOW and CE2 is HIGH. When CE# is HIGH, CE2# is HIGH and CE2 is LOW.
  3. Timing is shown assuming that the device was not enabled before entering into this sequence. OE# does not cause Q to be driven until after the following clock rising edge.
  4. Outputs are disabled within one clock cycle after deselect.

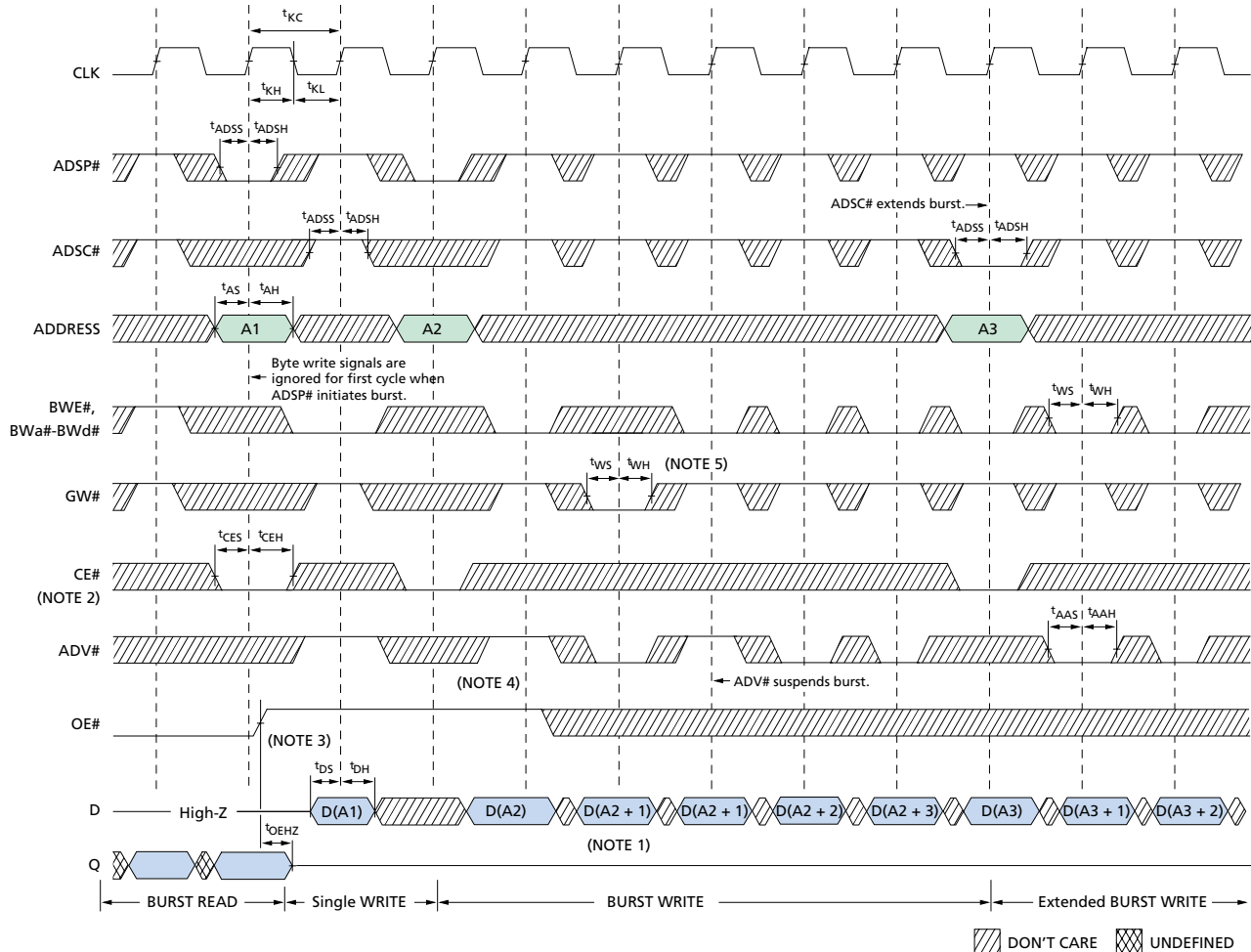
**READ TIMING PARAMETERS**

SYMBOL	-4		-4.4		-5		UNITS
	MIN	MAX	MIN	MAX	MIN	MAX	
t <sub>KC</sub>	4		4.4		5.0		ns
t <sub>KF</sub>		250		225		200	MHz
t <sub>KH</sub>	1.6		1.7		2.0		ns
t <sub>KL</sub>	1.6		1.7		2.0		ns
t <sub>KQ</sub>		2.3		2.6		2.8	ns
t <sub>KQX</sub>	1		1		1.0		ns
t <sub>KQLZ</sub>	0		0		0		ns
t <sub>KQHZ</sub>		2.3		2.6		2.8	ns
t <sub>OEQ</sub>		2.3		2.6		2.8	ns
t <sub>OELZ</sub>	0		0		0		ns
t <sub>OEHZ</sub>		2.3		2.6		2.8	ns
t <sub>AS</sub>	0.8		1		1.3		ns
t <sub>ADSS</sub>	0.8		1		1.3		ns
t <sub>AAS</sub>	0.8		1		1.3		ns
t <sub>WS</sub>	0.8		1		1.3		ns
t <sub>CES</sub>	0.8		1		1.3		ns
t <sub>AH</sub>	0.2		0.3		0.5		ns
t <sub>ADSH</sub>	0.2		0.3		0.5		ns
t <sub>AAH</sub>	0.2		0.3		0.5		ns
t <sub>WH</sub>	0.2		0.3		0.5		ns
t <sub>CEH</sub>	0.2		0.3		0.5		ns

SYMBOL	-6		-7.5		-10		UNITS
	MIN	MAX	MIN	MAX	MIN	MAX	
t <sub>KC</sub>	6.0		7.5		10		ns
t <sub>KF</sub>		166		133		100	MHz
t <sub>KH</sub>	2.3		2.5		3.0		ns
t <sub>KL</sub>	2.3		2.5		3.0		ns
t <sub>KQ</sub>		3.5		4.0		5.0	ns
t <sub>KQX</sub>	1.5		1.5		1.5		ns
t <sub>KQLZ</sub>	0		0		1.5		ns
t <sub>KQHZ</sub>		3.5		4.2		5.0	ns
t <sub>OEQ</sub>		3.5		4.2		5.0	ns
t <sub>OELZ</sub>	0		0		0		ns
t <sub>OEHZ</sub>		3.5		4.2		4.5	ns
t <sub>AS</sub>	1.5		1.5		2.0		ns
t <sub>ADSS</sub>	1.5		1.5		2.0		ns
t <sub>AAS</sub>	1.5		1.5		2.0		ns
t <sub>WS</sub>	1.5		1.5		2.0		ns
t <sub>CES</sub>	1.5		1.5		2.0		ns
t <sub>AH</sub>	0.5		0.5		0.5		ns
t <sub>ADSH</sub>	0.5		0.5		0.5		ns
t <sub>AAH</sub>	0.5		0.5		0.5		ns
t <sub>WH</sub>	0.5		0.5		0.5		ns
t <sub>CEH</sub>	0.5		0.5		0.5		ns

### WRITE TIMING

(WRITE timing parameters are contained on the following page.)



- NOTE:**
1. D(A2) refers to input for address A2. D(A2 + 1) refers to input for the next internal burst address following A2.
  2. CE2# and CE2 have timing identical to CE#. On this diagram, when CE# is LOW, CE2# is LOW and CE2 is HIGH. When CE# is HIGH, CE2# is HIGH and CE2 is LOW.
  3. OE# must be HIGH before the input data setup and held HIGH throughout the data hold time. This prevents input/output data contention for the time period prior to the byte write enable inputs being sampled.
  4. ADV# must be HIGH to permit a WRITE to the loaded address.
  5. Full-width WRITE can be initiated by GW# LOW; or GW# HIGH and BWE#, BWA# and BWD# LOW for x18 device; or GW# HIGH and BWE#, BWA#-BWD# LOW for x32 and x36 devices.

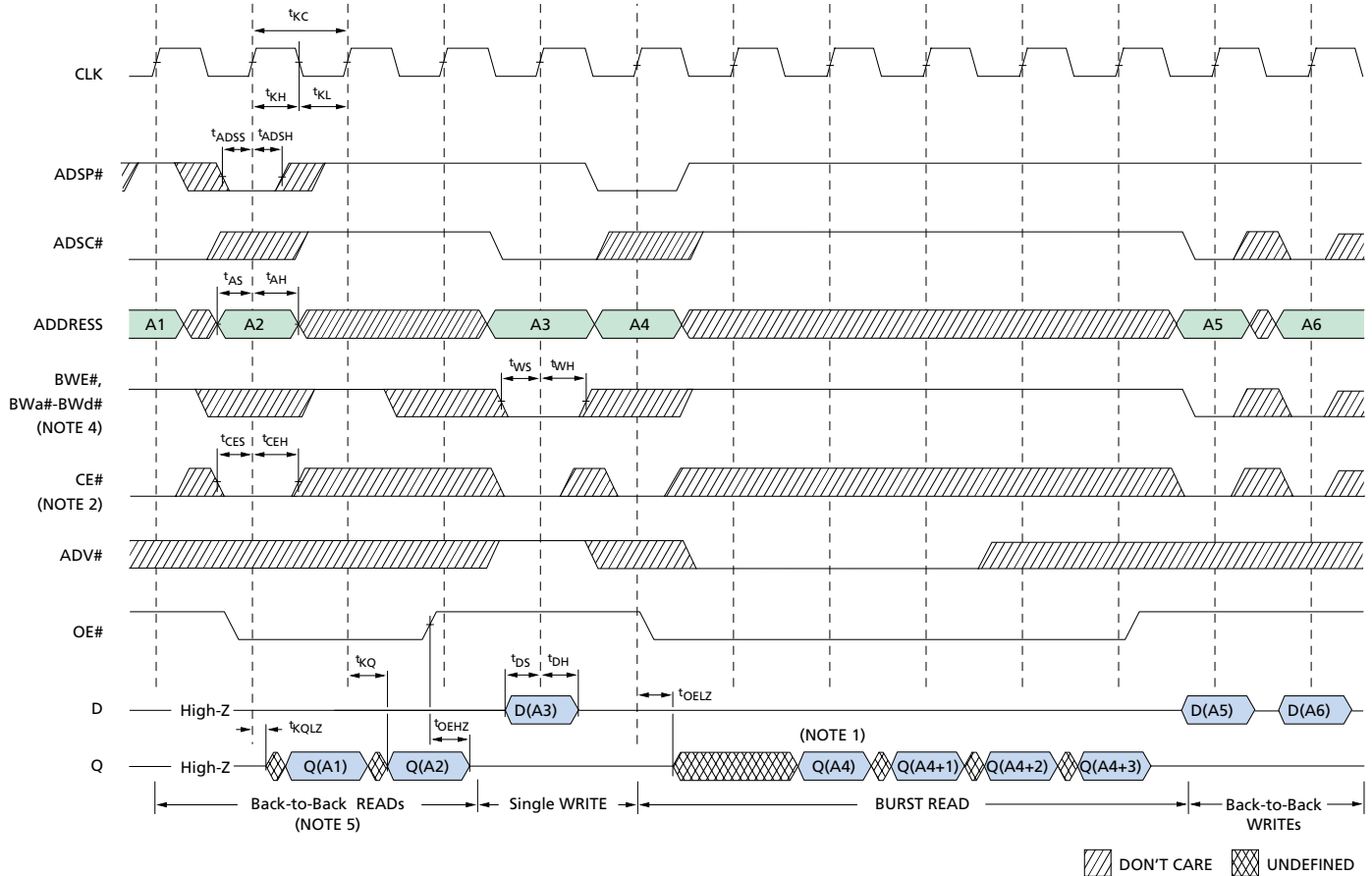
**WRITE TIMING PARAMETERS**

SYMBOL	-4		-4.4		-5		UNITS
	MIN	MAX	MIN	MAX	MIN	MAX	
t <sub>KC</sub>	4		4.4		5.0		ns
t <sub>KF</sub>		250		225		200	MHz
t <sub>KH</sub>	1.6		1.7		2.0		ns
t <sub>KL</sub>	1.6		1.7		2.0		ns
t <sub>OEZH</sub>		2.3		2.6		2.8	ns
t <sub>AS</sub>	0.8		1		1.3		ns
t <sub>ADSS</sub>	0.8		1		1.3		ns
t <sub>AAS</sub>	0.8		1		1.3		ns
t <sub>WS</sub>	0.8		1		1.3		ns
t <sub>DS</sub>	0.8		1		1.3		ns
t <sub>CES</sub>	0.8		1		1.3		ns
t <sub>AH</sub>	0.2		0.3		0.5		ns
t <sub>ADSH</sub>	0.2		0.3		0.5		ns
t <sub>AAH</sub>	0.2		0.3		0.5		ns
t <sub>WH</sub>	0.2		0.3		0.5		ns
t <sub>DH</sub>	0.2		0.3		0.5		ns
t <sub>CEH</sub>	0.2		0.3		0.5		ns

SYMBOL	-6		-7.5		-10		UNITS
	MIN	MAX	MIN	MAX	MIN	MAX	
t <sub>KC</sub>	6.0		7.5		10		ns
t <sub>KF</sub>		166		133		100	MHz
t <sub>KH</sub>	2.3		2.5		3.0		ns
t <sub>KL</sub>	2.3		2.5		3.0		ns
t <sub>OEZH</sub>		3.5		4.2		4.5	ns
t <sub>AS</sub>	1.5		1.5		2.0		ns
t <sub>ADSS</sub>	1.5		1.5		2.0		ns
t <sub>AAS</sub>	1.5		1.5		2.0		ns
t <sub>WS</sub>	1.5		1.5		2.0		ns
t <sub>DS</sub>	1.5		1.5		2.0		ns
t <sub>CES</sub>	1.5		1.5		2.0		ns
t <sub>AH</sub>	0.5		0.5		0.5		ns
t <sub>ADSH</sub>	0.5		0.5		0.5		ns
t <sub>AAH</sub>	0.5		0.5		0.5		ns
t <sub>WH</sub>	0.5		0.5		0.5		ns
t <sub>DH</sub>	0.5		0.5		0.5		ns
t <sub>CEH</sub>	0.5		0.5		0.5		ns

### READ/WRITE TIMING<sup>6</sup>

(READ/WRITE timing parameters are contained on the following page.)



- NOTE:**
1. Q(A4) refers to output from address A4. Q(A4 + 1) refers to output from the next internal burst address following A4.
  2. CE2# and CE2 have timing identical to CE#. On this diagram, when CE# is LOW, CE2# is LOW and CE2 is HIGH. When CE# is HIGH, CE2# is HIGH and CE2 is LOW.
  3. The data bus (Q) remains in High-Z following a WRITE cycle unless an ADSP#, ADSC# or ADV# cycle is performed.
  4. GW# is HIGH.
  5. Back-to-back READs may be controlled by either ADSP# or ADSC#.
  6. Timing is shown assuming that the device was not enabled before entering into this sequence.

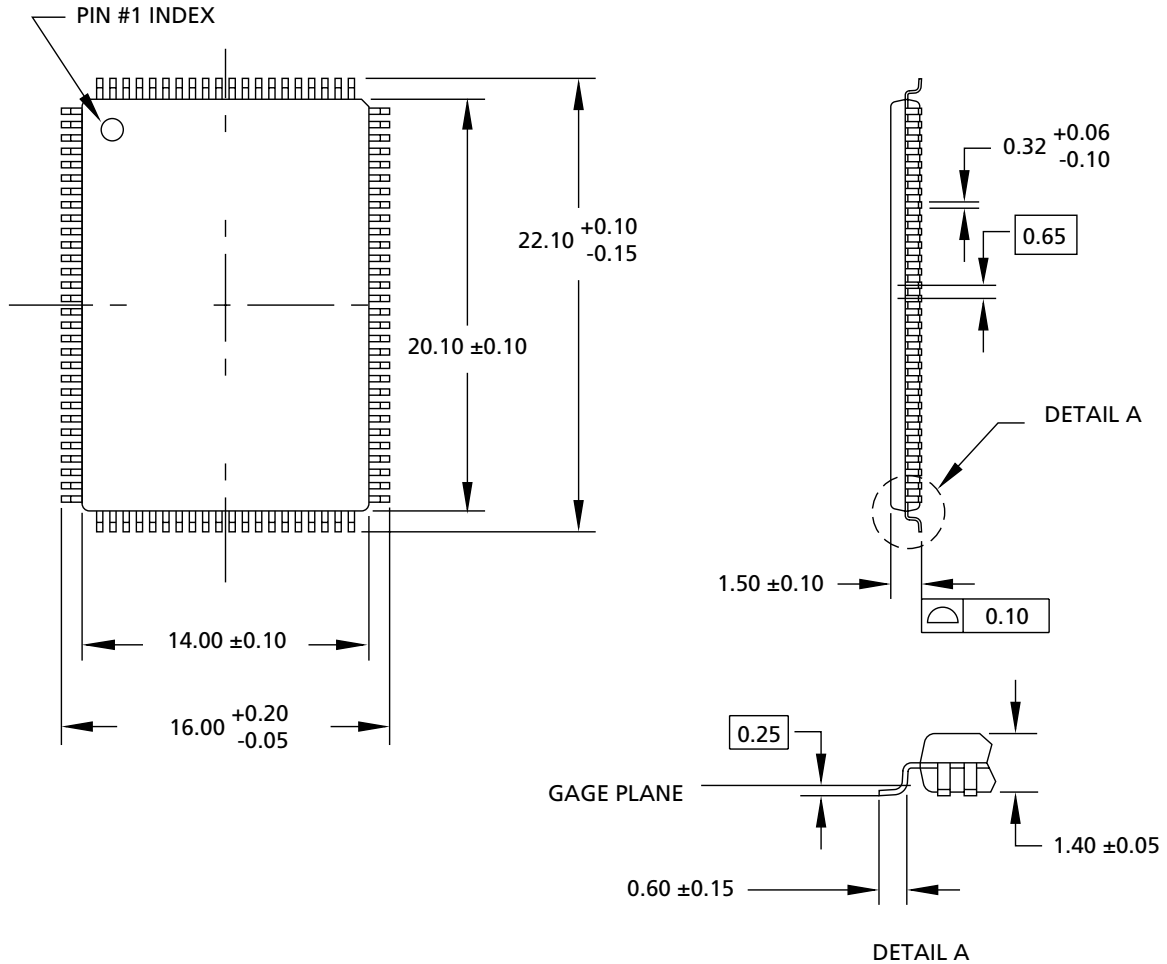


**READ/WRITE TIMING PARAMETERS**

SYMBOL	-4		-4.4		-5		UNITS
	MIN	MAX	MIN	MAX	MIN	MAX	
t <sub>KC</sub>	4		4.4		5.0		ns
t <sub>KF</sub>		250		225		200	MHz
t <sub>KH</sub>	1.6		1.7		2.0		ns
t <sub>KL</sub>	1.6		1.7		2.0		ns
t <sub>KQ</sub>		2.3		2.6		2.8	ns
t <sub>KQLZ</sub>	0		0		0		ns
t <sub>OELZ</sub>	0		0		0		ns
t <sub>OEHZ</sub>		2.3		2.6		2.8	ns
t <sub>AS</sub>	0.8		1		1.3		ns
t <sub>ADSS</sub>	0.8		1		1.3		ns
t <sub>WS</sub>	0.8		1		1.3		ns
t <sub>DS</sub>	0.8		1		1.3		ns
t <sub>CES</sub>	0.8		1		1.3		ns
t <sub>AH</sub>	0.2		0.3		0.5		ns
t <sub>ADSH</sub>	0.2		0.3		0.5		ns
t <sub>WH</sub>	0.2		0.3		0.5		ns
t <sub>DH</sub>	0.2		0.3		0.5		ns
t <sub>CEH</sub>	0.2		0.3		0.5		ns

SYMBOL	-6		-7.5		-10		UNITS
	MIN	MAX	MIN	MAX	MIN	MAX	
t <sub>KC</sub>	6.0		7.5		10		ns
t <sub>KF</sub>		166		133		100	MHz
t <sub>KH</sub>	2.3		2.5		3.0		ns
t <sub>KL</sub>	2.3		2.5		3.0		ns
t <sub>KQ</sub>		3.5		4.0		5.0	ns
t <sub>KQLZ</sub>	0		0		1.5		ns
t <sub>OELZ</sub>	0		0		0		ns
t <sub>OEHZ</sub>		3.5		4.2		4.5	ns
t <sub>AS</sub>	1.5		1.5		2.0		ns
t <sub>ADSS</sub>	1.5		1.5		2.0		ns
t <sub>WS</sub>	1.5		1.5		2.0		ns
t <sub>DS</sub>	1.5		1.5		2.0		ns
t <sub>CES</sub>	1.5		1.5		2.0		ns
t <sub>AH</sub>	0.5		0.5		0.5		ns
t <sub>ADSH</sub>	0.5		0.5		0.5		ns
t <sub>WH</sub>	0.5		0.5		0.5		ns
t <sub>DH</sub>	0.5		0.5		0.5		ns
t <sub>CEH</sub>	0.5		0.5		0.5		ns

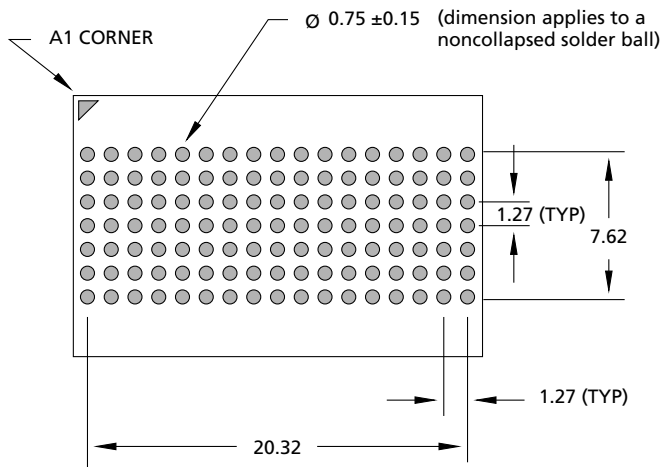
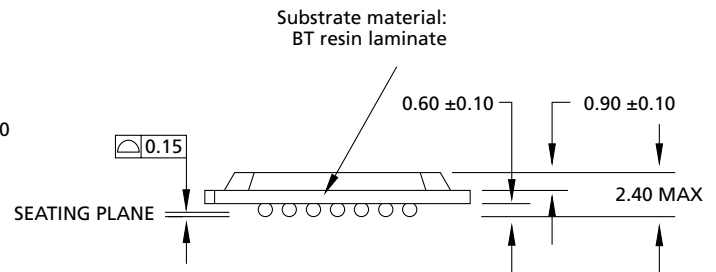
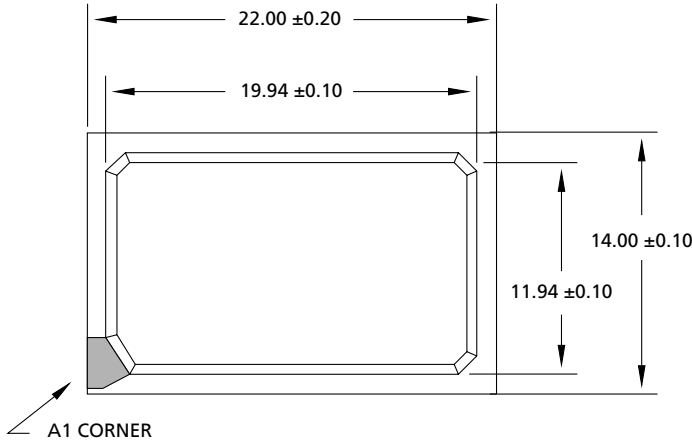
100-PIN PLASTIC TQFP (JEDEC LQFP)



**NOTE:** 1. All dimensions in millimeters  $\frac{\text{MAX}}{\text{MIN}}$  or typical where noted.

2. Package width and length do not include mold protrusion; allowable mold protrusion is 0.25mm per side.

119-PINBGA



- NOTE:** 1. All dimensions in millimeters MAX or typical where noted.  
MIN
2. Package width and length do not include mold protrusion; allowable mold protrusion is 0.25mm per side.
3. Solder ball land pad is 0.6mm.



8000 S. Federal Way, P.O. Box 6, Boise, ID 83707-0006, Tel: 208-368-3900  
 E-mail: [prodmktg@micron.com](mailto:prodmktg@micron.com), Internet: <http://www.micron.com>, Customer Comment Line: 800-932-4992  
 Micron is a registered trademark and SyncBurst is a trademark of Micron Technology, Inc.  
 Pentium is a registered trademark of Intel Corporation.