

January 1998

Fast CMOS 3.3V 16-Bit Transparent Latch

Features

- Advanced 0.6 micron CMOS Technology
- 5V Tolerant Inputs and Outputs
- Supports Live Insertion of PCBs
- 2.0V to 3.6V V_{CC} Supply Range
- Balanced 24mA Output Drive
- Low Ground Bounce Outputs
- ESD Protection Exceeds 2000V, HBM; 200V, MM
- Functionally Compatible with FCT3, LVC, LVT, and 74 Series Logic Families

Ordering Information

PART NUMBER	TEMP. RANGE (°C)	PACKAGE	PKG. NO.
CD74LCX16373MT	-40 to 85	48 Ld TSSOP	M48.240-P
CD74LCX16373SM	-40 to 85	48 Ld SSOP	M48.300-P

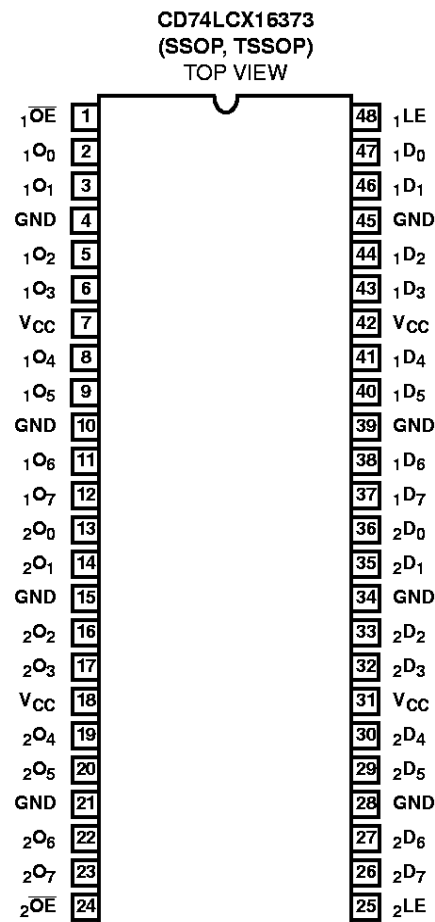
NOTE: When ordering, use the entire part number. Add the suffix 96 to obtain the variant in the tape and reel.

Description

The CD74LCX16373 is a 16-bit transparent latch designed with three-state outputs and is intended for bus oriented applications. The Output Enable and Latch Enable controls are organized to operate as two 8-bit latches or one 16-bit latch. When Latch Enable (LE) is HIGH, the flip-flops appear transparent to the data. The data that meets the set-up time when LE is LOW is latched. When \overline{OE} is HIGH, the bus output is in the high impedance state.

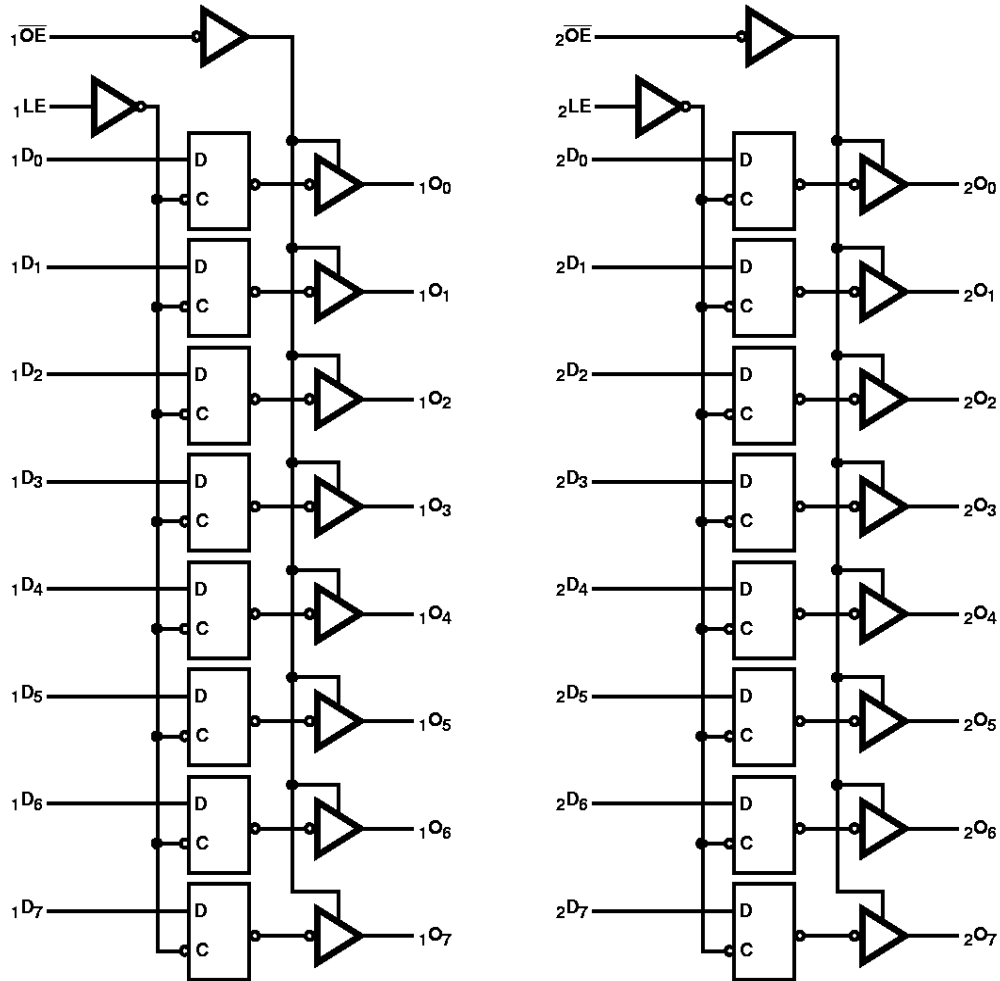
The CD74LCX16373 can be driven from either 3.3V or 5.0V devices allowing this device to be used as a translator in a mixed 3.3/5.0V system.

Pinout



CD74LCX16373

Functional Block Diagram



TRUTH TABLE (NOTE 1)

INPUTS			OUTPUTS
xD_x	$x\overline{OE}$	xLE	xO_x
H	L	H	H
L	L	H	L
X	H	X	Z

NOTE:

1. H = High Voltage Level
L = Low Voltage Level
X = Don't Care
Z = High Impedance

Pin Descriptions

PIN NAME	DESCRIPTION
$x\overline{OE}$	Output Enable Inputs (Active LOW)
xLE	Latch Enable Inputs (Active HIGH)
xD_x	Data Inputs
xO_x	Three-State Outputs
GND	Ground
V _{CC}	Power

CD74LCX16373

Absolute Maximum Ratings

DC Input Voltage -0.5V to 7.0V
 DC Output Current 120mA

Operating Conditions

Operating Temperature Range -40°C to 85°C
 Supply Voltage to Ground Potential
 Inputs and V_{CC} Only -0.5V to 7.0V
 Operating 2.0V to 3.6V
 Data Retention 1.5V to 3.6V
 Supply Voltage to Ground Potential
 Outputs and D/O Only -0.5V to 7.0V

Thermal Information

Thermal Resistance (Typical, Note 2) θ_{JA} (°C/W)
 TSSOP Package 94
 SSOP Package 76
 Maximum Junction Temperature 150°C
 Maximum Storage Temperature Range -65°C to 150°C
 Maximum Lead Temperature (Soldering 10s) 300°C
 (Lead Tips Only)

CAUTION: Stresses above those listed in "Absolute Maximum Ratings" may cause permanent damage to the device. This is a stress only rating and operation of the device at these or any other conditions above those indicated in the operational sections of this specification is not implied.

NOTE:

- θ_{JA} is measured with the component mounted on an evaluation PC board in free air.

Electrical Specifications

PARAMETER	SYMBOL	(NOTE 3) TEST CONDITIONS	MIN	(NOTE 4) TYP	MAX	UNITS
DC ELECTRICAL SPECIFICATIONS Over the Operating Range, T _A = -40°C to 85°C, V _{CC} = 2.7V to 3.6V						
Input HIGH Voltage	V _{IH}	Guaranteed Logic HIGH Level	2.0	-	-	V
Input LOW Voltage (Input and I/O Pins)	V _{IL}	Guaranteed Logic LOW Level	-	-	0.8	V
Output HIGH Voltage	V _{OH}	V _{CC} = 2.7V to 3.6V	I _{OH} = -0.1mA	V _{CC} - 0.2	-	V
		V _{CC} = 2.7V	I _{OH} = -12mA	2.2	-	V
		V _{CC} = 3.0V	I _{OH} = -18mA	2.4	-	V
			I _{OH} = -24mA	2.2	-	V
Output LOW Voltage	V _{OL}	V _{CC} = 2.7V to 3.6V	I _{OL} = 0.1mA	-	-	0.2
		V _{CC} = 2.7V	I _{OL} = 12mA	-	-	0.4
		V _{CC} = 3V	I _{OL} = 16mA	-	-	0.4
			I _{OL} = 24mA	-	-	0.55
Clamp Diode Voltage	V _{IK}	V _{CC} = Min, I _{IN} = -18mA	-	-0.7	-1.2	V
Input Current	I _I	V _{CC} = 2.7V to 3.6V	0 ≤ V _I ≤ 5.5V	-	-	±5
High Impedance Output Current (Three-State)	I _{OZ}	V _{CC} = 2.7V to 3.6V	0 ≤ V _O ≤ 5.5V V _I = V _{IH} or V _{IL}	-	-	±5
Power Down Disable	I _{OFF}	V _{CC} = 0V	V _{IN} or V _{OUT} ≤ 5.5V	-	-	10
Quiescent Power Supply Current	I _{CC}	V _{CC} = Max	V _{IN} = GND or V _{CC}	-	0.1	10
Quiescent Power Supply Current TTL Inputs HIGH	ΔI _{CC}	V _{CC} = Max	V _{IN} = V _{CC} - 0.6V (Note 5)	-	-	500
CAPACITANCE						
Input Capacitance (Note 6)	C _{IN}	V _{CC} = Open, V _{IN} = 0V or V _{CC}	-	7	-	pF

CD74LCX16373

Electrical Specifications (Continued)

PARAMETER	SYMBOL	(NOTE 3) TEST CONDITIONS	MIN	(NOTE 4) TYP	MAX	UNITS
Output Capacitance (Note 6)	C_{OUT}	$V_{CC} = 3.3V, V_{IN} = 0V$ or V_{CC}	-	8	-	pF
Power Dissipation Capacitance (Note 7)	C_{PD}	$V_{CC} = 3.3V, V_{IN} = 0V$ or $V_{CC}, f = 10MHz$	-	25	-	pF

NOTES:

3. For conditions shown as Max or Min, use appropriate value specified under Electrical Specifications for the applicable device type.
4. Typical values are at $V_{CC} = 3.3V, 25^{\circ}C$ ambient and maximum loading.
5. Per TTL driven input; all other inputs at V_{CC} or GND.
6. This parameter is determined by device characterization but is not production tested.
7. C_{PD} determines the no-load dynamic power consumption per latch. It is obtained by the following relationship:
 P_D (total power per latch) = $V_{CC}^2 f_i (C_{PD} + C_L)$ where f_i = input frequency, C_L = output load capacitance, V_{CC} = supply range.

Switching Specifications Over Operating Range

PARAMETER	SYMBOL	(NOTE 8) TEST CONDITIONS	$V_{CC} = 3.3V \pm 0.3V$		$V_{CC} = 2.7V$		UNITS
			(NOTE 9) MIN	MAX	(NOTE 9) MIN	MAX	
Propagation Delay D_n to O_n	t_{PLH}, t_{PHL}	$C_L = 50 pF$ $R_L = 500\Omega$	1.5	5.4	1.5	5.9	ns
Propagation Delay LE to O_n	t_{PLH}, t_{PHL}		1.5	5.5	1.5	6.4	ns
Output Enable Time	t_{PZH}, t_{PZL}		1.5	6.1	1.5	6.5	ns
Output Disable Time (Note 10)	t_{PHZ}, t_{PLZ}		1.5	6.0	1.5	6.3	ns
Setup Time, D_n to LE	t_S		2.5	-	2.5	-	ns
Hold Time, D_n to LE	t_H		1.5	-	1.5	-	ns
LE Pulse Width, (Note 10)	t_W		3.0	-	3.0	-	ns
Output Skew, (Note 11)	$t_{SK(O)}$		-	1.0	-	-	ns

NOTES:

8. See test circuit and waveforms.
9. Minimum limits are guaranteed but not tested on Propagation Delays.
10. This parameter is guaranteed but not production tested.
11. Skew between any two outputs, of the same package, switching in the same direction. This parameter is guaranteed by design.
12. Measured with n-1 outputs switching from High-to-Low or Low-to-High. The remaining output is measured in the LOW state.

Dynamic Switching Characteristics $T_A = 25^{\circ}C$

PARAMETER	SYMBOL	TEST CONDITIONS (NOTE 12)	TYP	UNITS
Dynamic LOW Peak Voltage	V_{OLP}	$V_{CC} = 3.3V, C_L = 50pF, V_{IH} = 3.3V, V_{IL} = 0V$	0.8	V
Dynamic LOW Valley Voltage	V_{OLV}	$V_{CC} = 3.3V, C_L = 50pF, V_{IH} = 3.3V, V_{IL} = 0V$	0.8	V