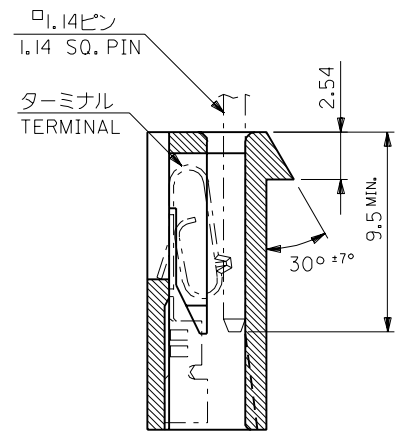
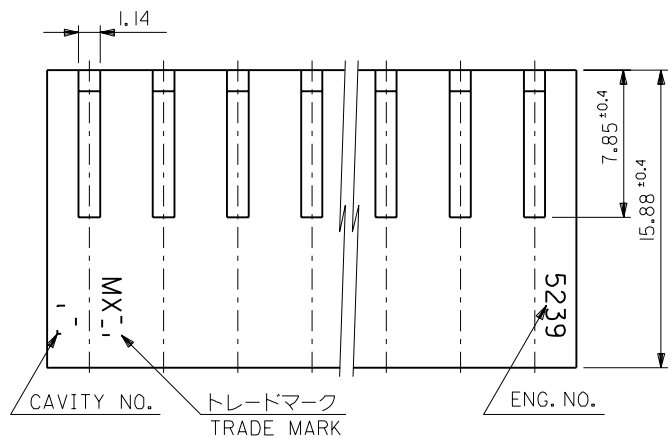


注記 NOTES

- 1. 適合ターミナル : 2478,2578,5167,5168 シリーズ
APPLICABLE TERMINAL: 2478,2578,5167,5168 SERIES.
- 2. 反り : 0.2/25.4 MAX.
CAMBER: 0.2/25.4 MAX.



SECT. C-C

| | | | | |
|-------|-------------|------------|----------|---------|
| 79.74 | 75.24 ±0.4 | 09-52-4204 | 5239-20 | 20 |
| 71.82 | 67.32 ±0.35 | ▲ -4184 | ▲ -18 | 18 |
| 67.86 | 63.36 ±0.3 | -4174 | -17 | 17 |
| 63.90 | 59.40 ±0.3 | -4164 | -16 | 16 |
| 59.94 | 55.44 ±0.3 | -4154 | -15 | 15 |
| 55.98 | 51.48 ±0.3 | -4144 | -14 | 14 |
| 52.02 | 47.52 ±0.3 | -4134 | -13 | 13 |
| 48.06 | 43.56 ±0.25 | -4124 | -12 | 12 |
| 44.10 | 39.60 ±0.25 | -4114 | -11 | 11 |
| 40.14 | 35.64 ±0.25 | -4104 | -10 | 10 |
| 36.18 | 31.68 ±0.2 | -4094 | -09 | 9 |
| 32.22 | 27.72 ±0.2 | -4084 | -08 | 8 |
| 28.26 | 23.76 ±0.2 | -4074 | -07 | 7 |
| 24.30 | 19.80 ±0.2 | -4064 | -06 | 6 |
| 20.34 | 15.84 ±0.15 | -4054 | -05 | 5 |
| 16.38 | 11.88 ±0.15 | -4044 | -04 | 4 |
| 12.42 | 7.92 ±0.15 | ▼ -4034 | ▼ -03 | 3 |
| 8.46 | 3.96 ±0.1 | 09-52-4024 | 5239-02 | 2 |
| B | A | EDP NO. | ENG. NO. | 極数 CKT. |

| | | | | | |
|---|--|--------------------------------------|--|-------------------------------------|--|
| 材料 MATERIAL ナイロン66 UL94V-2 NYLON66 | | | | MOLEX-JAPAN CO.,LTD. 日本モレックス株式会社 | |
| 仕上げ FINISH | | | | REVISION RECORD | |
| 適用電線範囲 WIRE RANGE | | | | TITLE 名称 | |
| 被覆外径 INS. RANGE | | | | KK 3.96 RECEPTACLE HS'G | |
| DRAWN BY '89/9/15 H.HIRAMOTO REVIS'D BY '96/4/10 S.A.M.FUKUSHIMA | | | | DWG. NO. SD-5239-N | |
| APP'D BY '96/4/10 M.FUKUSHIMA | | | | REV D | |
| 角度 ANGLE ±3° | | 記号 LTR | | DR. CHK. 日付 DATE | |
| 30 以上 OVER | | D 変更 REVISED (JC60690) | | K.T. '91/9/26 | |
| 10 以上 30 未満 OVER UNDER | | C 変更及び再作図 REVISED & REDRAWN (J10810) | | H.H. '96/4/10 | |
| 10 未満 UNDER | | 変更内容 REVISION RECORD | | M.FUKUSHIMA | |
| 一般公差 GENERAL TOLERANCES | | R.Y. '89/4/8 | | S.A. M.FUKUSHIMA | |
| | | 96/4/10 | | 尺度 SCALE 4-1 | |

DIMENSIONS IN METRIC DO NOT SCALE DRAWING