

PRODUCT CATALOG

SCHOTTKY POWER RECTIFIERS

45V, 18A, 0.65V	
SDS18045	JAA
SDS18045	JAB
SDS18045	JEA
SDS18045	JEB
SDS18045	JEC
SDS18045	JED

MAXIMUM RATINGS PER DIODE			
PARAMETER	SYMBOL		UNITS
WORKING PEAK REVERSE VOLTAGE	VRRM	45	V
AVERAGE FORWARD CURRENT	IF(AV)	18	A
PEAK ONE CYCLE NON-REPETITIVE, SURGE CURRENT	IFSM	380	A
PEAK REPETITIVE REVERSE CURRENT	IRRM	1.0	A
OPERATING JUNCTION TEMPERATURE RANGE	TJ	-65 TO +150	°C
STORAGE TEMPERATURE RANGE	Tstg	-65 TO +175	°C
THERMAL RESISTANCE JUNCTION TO CASE	RtJc	2.0	°C/W

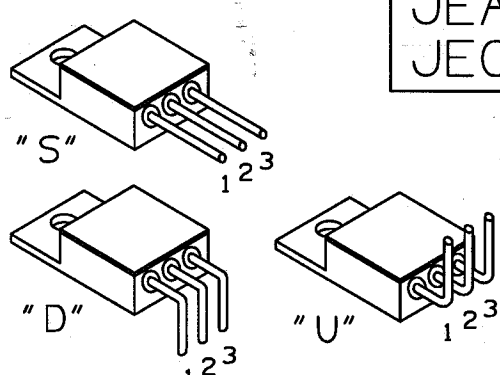
FEATURES

- RUGGED PACKAGE
- HI-REL CONSTRUCTION
- CERAMIC EYELETS
- LEAD BENDING OPTIONS
- COPPER CORED 52 ALLOY PINS
- LOW IR LOSSES
- LOW THERMAL RESISTANCE
- OPTIONAL MIL-S-19500 OR MIL-STD-883 SCREENING

ELECTRICAL CHARACTERISTICS Tc = 25°C (UNLESS OTHERWISE SPECIFIED)					
PARAMETER	SYMBOL	TEST CONDITIONS			UNITS
MAX. PEAK FORWARD VOLTAGE ①	VF	TJ=25°C	IFM=18A	0.65	V
MAX. PEAK REVERSE CURRENT ①	IRM	TJ=25°C	VRWM=45V	2	mA
		TJ=125°C		40	
CAPACITANCE	Ct	Tc=25°C, VR=5VDC f=100KHZ TO 1 MHZ		1400	Pf

(1) PULSE TEST: PULSE WIDTH 300µS, DUTY CYCLE 2%

STANDARD BEND CONFIGURATIONS



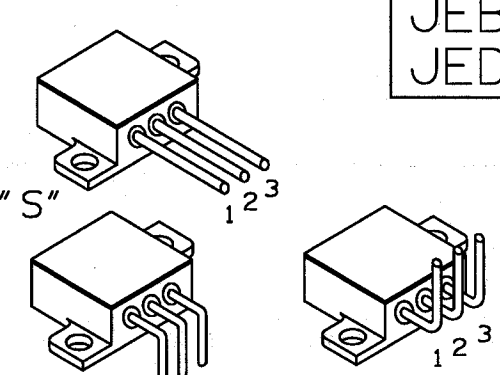
JAA

JEA

JEC

(CUSTOM BEND OPTIONS AVAILABLE)

STANDARD BEND CONFIGURATIONS



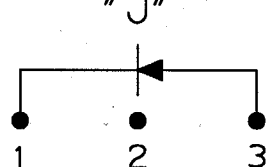
JAB

JEB

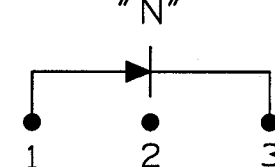
JED

(CUSTOM BEND OPTIONS AVAILABLE)

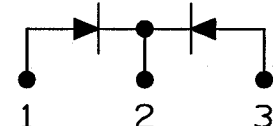
"J"



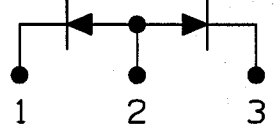
"N"



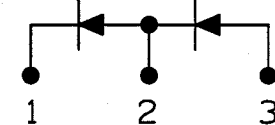
"K"



"L"



"M"



PIN	"J"	"K"	"L"	"M"	"N"
1	CATHODE	ANODE	CATHODE	CATHODE	ANODE
2	NO CONN.	COMMON	COMMON	COMMON	NO CONN.
3	ANODE	ANODE	CATHODE	ANODE	CATHODE
PKG.	JAA, JAB	JEA, JEB JEC, JED	JEA, JEB JEC, JED	JEA, JEB JEC, JED	JAA, JAB

CASE = NO CONNECTION