

7.50/5.00mm STRAIGHT HEADER

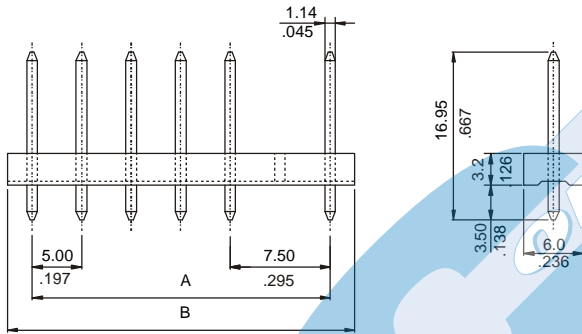


7501 SERIES. 7.50–5.00mm(0.295" – 0.197"). For PCB Solder

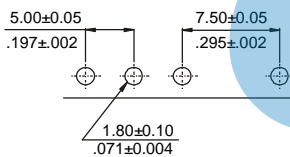
Features

- Available in 2 through 15 circuits
- Different pin length and plating options are available
- Insulator Material: Nylon 6/6 UL 94V-2
- 1.14mm(.045") square pin in tinned brass
- Mates with 7500 series socket

Dimensional Information



RECOMMENDED HOLE PATTERN



Ordering and Dimensional Information

Circuit Size	Part Number	Dimensions	
		A	B
02	7501- 2021	7,50(0,295)	12,50(0,492)
03	7501- 2031	12,50(0,492)	17,50(0,689)
04	7501- 2041	17,50(0,689)	22,50(0,886)
05	7501- 2051	22,50(0,886)	27,50(1,083)
06	7501- 2061	27,50(1,083)	32,50(1,280)
07	7501- 2071	32,50(1,280)	37,50(1,476)
08	7501- 2081	37,50(1,476)	42,50(1,673)
09	7501- 2091	42,50(1,673)	47,50(1,870)
10	7501- 2101	47,50(1,870)	52,50(2,067)
11	7501- 2111	52,50(2,067)	57,50(2,264)
12	7501- 2121	57,50(2,264)	62,50(2,461)
13	7501- 2131	62,50(2,461)	67,50(2,657)
14	7501- 2141	67,50(2,657)	72,50(2,854)
15	7501- 2151	72,50(2,854)	77,50 (3,051)