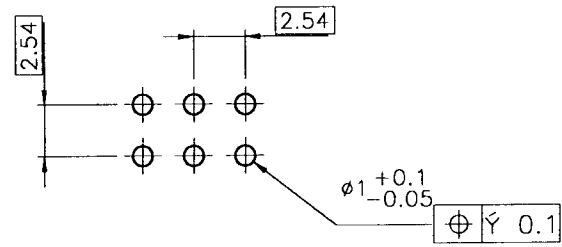
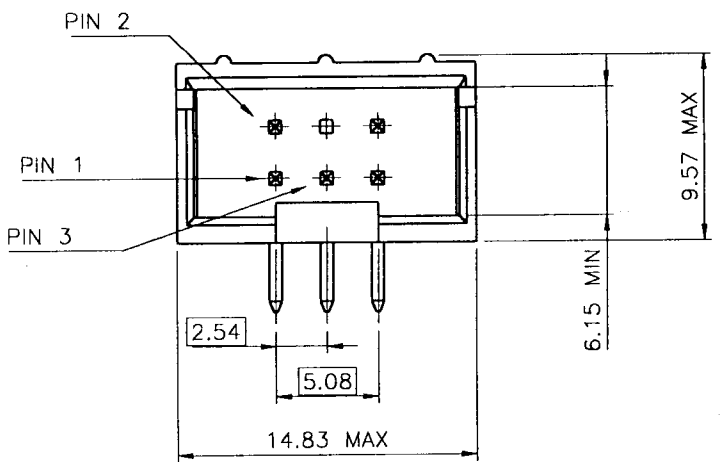


The only authorized source for this product is BERG ELECTRONICS, INC. All other sources are unauthorized. Please contact BERG ELECTRONICS, INC. for more information.

BERG
 ELECTRONICS, INC.

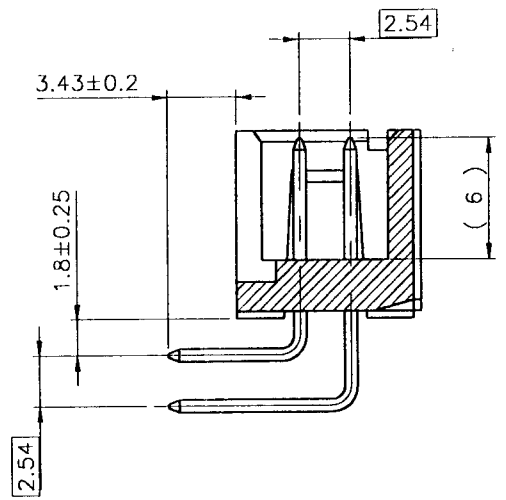
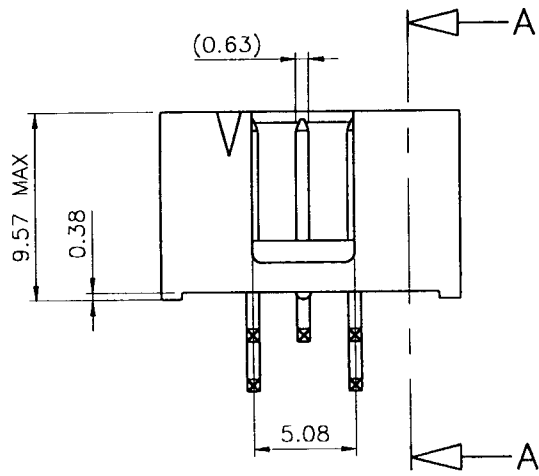
All rights reserved. Reproduction of any part of this drawing without the written permission of BERG ELECTRONICS, INC. is prohibited.

PRODUCT NUMBER	SIZE	MISSING PIN
95213-101	2x3	4



RECOMMENDED HOLE PATTERN

SECTION "AA"



NOTES.

MATERIAL - PLASTIC BODY, GLASSFILLED POLYESTER
 FLAME RETARDANT PER UL-94-V0,
 COLOR BLUE.
 CONTACT , COPPER ALLOY.

95213-1XX	0.76μm Au	3.81μm SnPb MIN
PLATING CODE	CONTACT AREA	SOLDER TAIL AREA
	PLATING THICKNESS OVER 1.27μm Ni MIN	

mat'l. code				tolerances unless otherwise specified		CUSTOMER COPY	BERG ELECTRONICS	
SEE NOTES							title	
lir	ecn no	dr	date	linear		projection	HEADER, RA	
A	F40953	JMC	94.12.08				REVERSED BENDING	
B	F60270	PNZ	96.06.25	angles		mm	product family	code
C	F80621	PNZ	98.09.03			1:1	QKIE	213
				dr	COMPAGNON J	94.11.07	size	dwg no
				enr	PHAMVANG J	94.12.08	A3	95213
				chr	COMPAGNON J	94.12.08	sheet	1 of 1
				appd	JM P	94.12.08		
sheet index	revision sheet							