

PRODUCT NUMBER

71979-YXXLF

WHEN REQUIRED, ADD SUFFIX LETTER "LF" INDICATES THE PRODUCT IS RoHS COMPATIBLE, SEE NOTE 7

PLATING

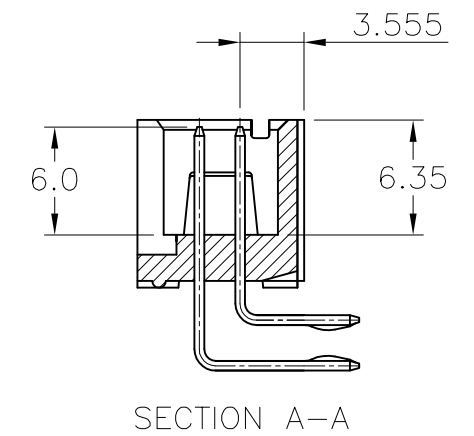
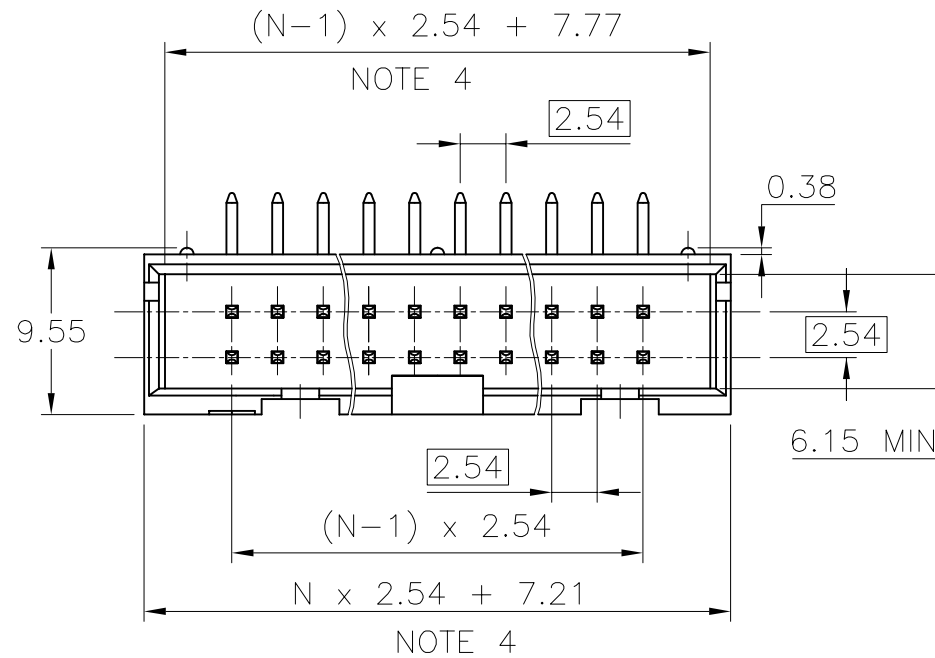
2 = 0.76µm GOLD/GXT, (PdNi WITH GOLD FLASH) ON CONTACT AREA
3.81µm TIN-LEAD ON TAIL

3 = 3.81µm TIN-LEAD ALL OVER

UNDERPLATE : 1.27µm Ni MIN

- WHEN SUFFIX LETTER "LF" IS REQUIRED, 2µm MIN MATTE TIN OVER 1.27µm MIN NICKEL IS PROVIDED INSTEAD OF TIN-LEAD

TOTAL NUMBER OF POSITIONS	
06	26
08	34
10	40
14	44
16	50
18	60
20	64



NOTES:

- 1 - HOUSING MAT'L : GLASS FILLED THERMOPLASTIC. UL94V-0 COLOR: BLUE
- 2 - PIN MATERIAL : PHOSPHOR BRONZE
- 3 - PRODUCT PACKAGED IN TUBES.
- 4 - TO DETERMINE DIMENSIONS :
N = NUMBER OF POSITIONS PER ROW
EXAMPLE : 8 POS N x 2.54 = 20.32mm
- 5 - NO LEFT POLARIZATION FOR POS 04, 06, 08, 14.
NO RIGHT POLARIZATION FOR POS 04, 06, 08.
- 6 - RETENTION LEGS IN THE CENTER OF THE CONNECTOR.
- 7 - RoHS COMPATIBLE PRODUCT SPECIFICATIONS

a - PLATING:

- "LF" MEANS THE PRODUCT IS LEAD-FREE, 2µm MINIMUM MATTE TIN OVER 1.27µm MINIMUM NICKEL UNDERPLATE.

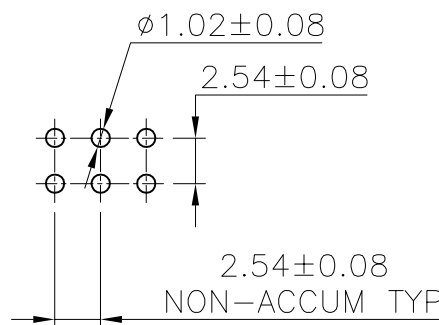
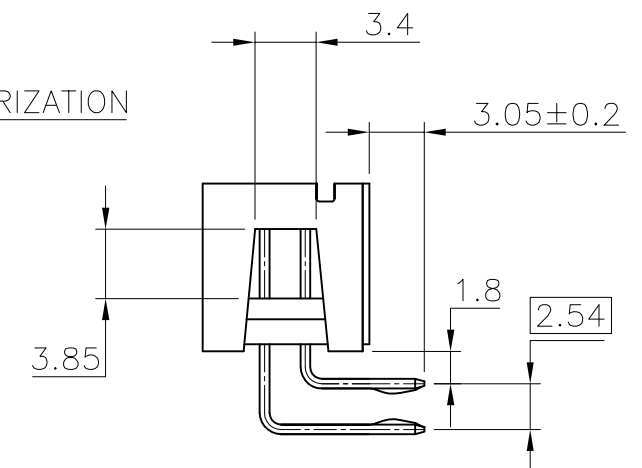
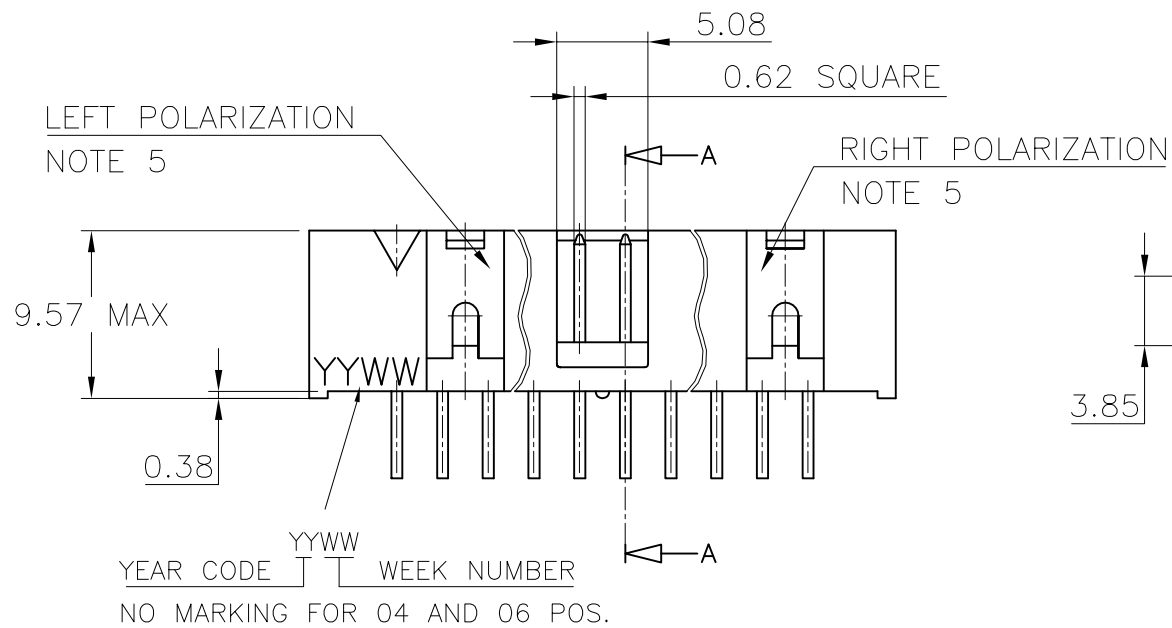
b - MANUFACTURING PROCESS COMPATIBILITY

- THE HOUSING WILL WITHSTAND EXPOSURE TO 260°C ±5°C SOLDER BATH TEMPERATURE FOR 5 SECONDS IN A WAVE SOLDER APPLICATION WITH A 1.6mm MIN THICK CIRCUIT BOARD.

c - LABELLING:

- MEETS PACKAGING SPECS AS PER GS-14-920

d - LEGAL STATEMENT: SEE GS-22-008



mat'l. code		surface		tolerance		projection		product family	
SEE NOTES		ISO 1302		ISO 406 ISO 1101		mm		QUICKIE	
ltr	ecn no	dr	date	tolerances unless otherwise specified		mm		title	
J	F80621	PNZ	98.09.03	angles	.X ±0.3	mm		SHR.LP.HEADER	
K	F04-0389	LMU	04.12.22	linear	.XX ±0.13	mm		RA.RETENTION LEGS	
L	F06-0229	LMU	06.07.18		.XXX ±0.05	scale 1:1		dwg no	
M	F06-0314	LMU	06.11.02	dr	L.MULIN	04.12.20		sheet 1 of 1	
N	F07-0198	LMU	07.05.30	enr	J.COMPAGNON	04.12.20		size	
P	F08-0146	YOV	08.04.14	chr	JCO	04.12.22		A3	
				appd	JCO	04.12.22		type	
sheet index		revision sheet						CUSTOMER Drawing	