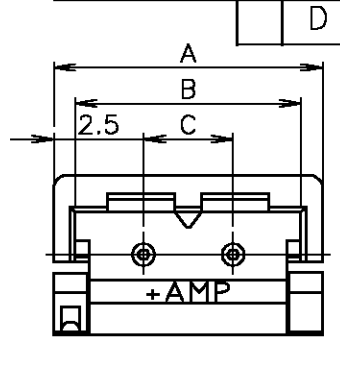
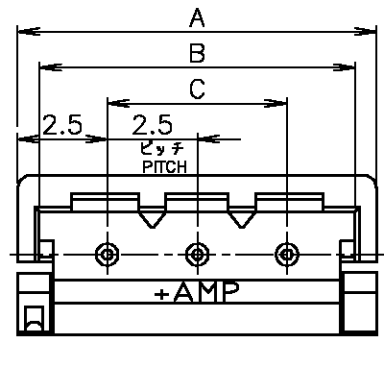
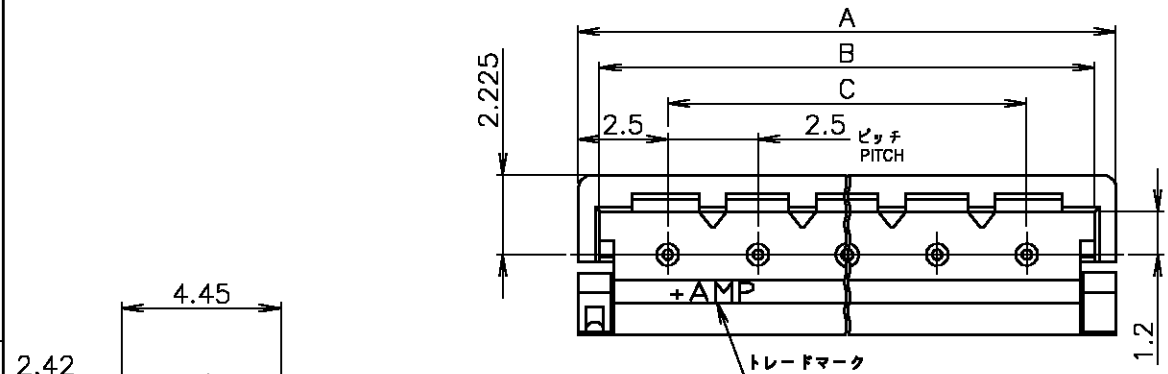
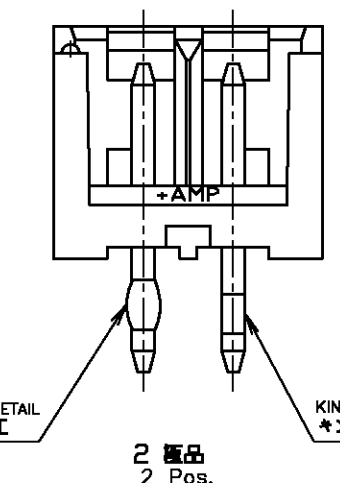
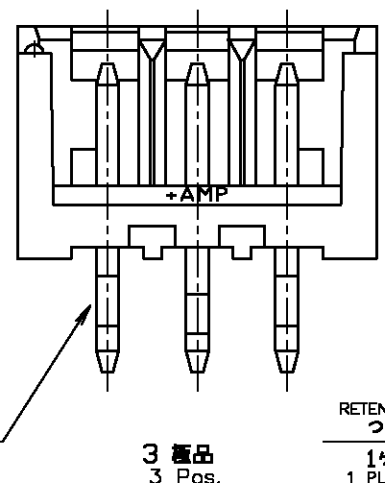
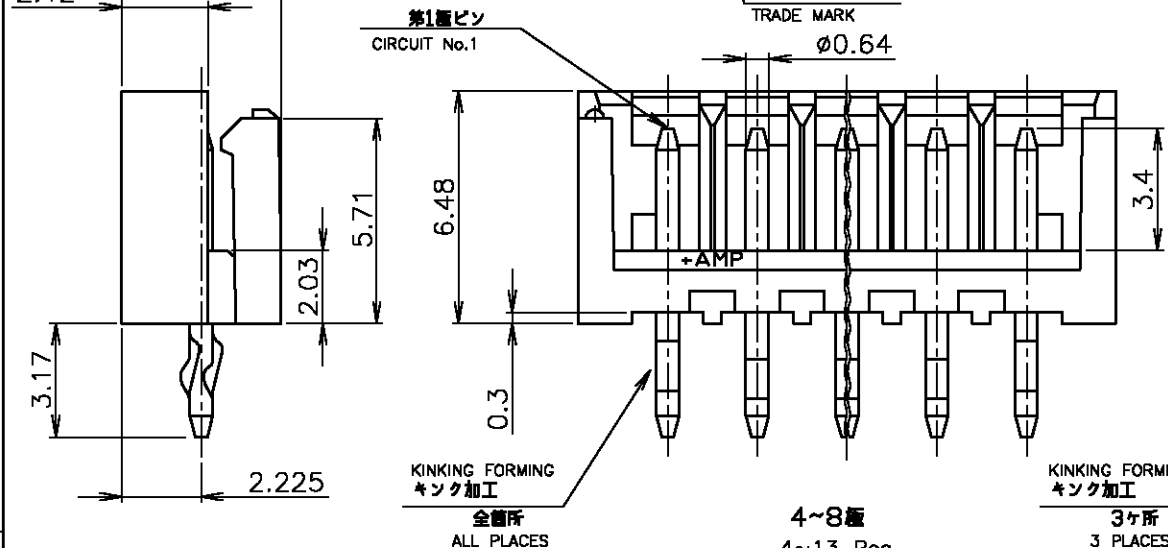


THIS DRAWING IS UNPUBLISHED. RELEASED FOR PUBLICATION
 © COPYRIGHT BY TYCO ELECTRONICS CORPORATION. ALL RIGHTS RESERVED.

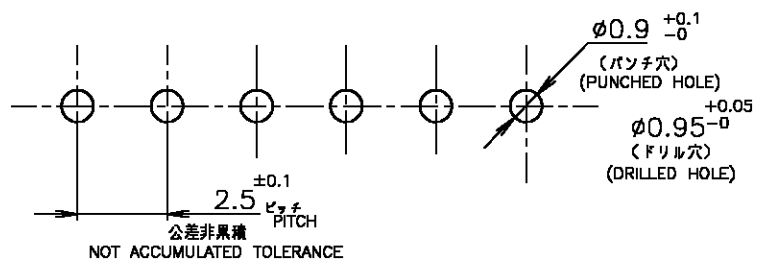
LOC	DIST	REVISIONS					
J		P	LTR	DESCRIPTION	DATE	DWN	APVD
		D		REVISED FJB0-0346-03	28APR03	T.K	Y.Y



- 注記
1. 材料：ハウジング - 66 ナイロン (UL94V-0)
ポスト - 錫めっき黄銅
 2. 適用製品規格：108-5385
 3. 嵌合相手製品型番：P/N 177534, 179872



- NOTES;
1. MATERIAL : HOUSING - 66NYLON (UL94V-0)
POST - PRE-TIN BRASS
 2. PRODUCT SPEC : 108-5385
 3. MATING COUNTER PART NUMBER : P/N 177534, 179872



RECOMMENDABLE P.C.BOARD LAYOUT
 推奨基板寸法
 (板厚 1.0~1.6)
 (B.C.B THK:1.0~1.6)

30.0	34.2	35.0	13	9-	-3	7-	-3	5-	-3	3-	-3	1-	-3
27.5	31.7	32.5	12	9-	-2	7-	-2	5-	-2	3-	-2	1-	-2
25.0	29.2	30.0	11	9-	-1	7-	-1	5-	-1	3-	-1	1-	-1
22.5	26.7	27.5	10	9-	-0	7-	-0	5-	-0	3-	-0	1-	-0
20.0	24.2	25.0	9	8-	-9	6-	-9	4-	-9	2-	-9		-9
17.5	21.7	22.5	8	8-	-8	6-	-8	4-	-8	2-	-8		-8
15.0	19.2	20.0	7	8-	-7	6-	-7	4-	-7	2-	-7		-7
12.5	16.7	17.5	6	8-	-6	6-	-6	4-	-6	2-	-6		-6
10.0	14.2	15.0	5	8-	-5	6-	-5	4-	-5	2-	-5		-5
7.5	11.7	12.5	4	8-	-4	6-	-4	4-	-4	2-	-4		-4
5.0	9.2	10.0	3	8-	-3	6-	-3	4-	-3	2-	-3		-3
2.5	6.7	7.5	2	8-177537-2		6-177537-2		4-177537-2		2-177537-2		177537-2	
C	B	A	極数 Pos.	青 BLUE		黒 BLACK		赤 RED		黄 YELLOW		自然色 NATURAL	

THIS DRAWING IS A CONTROLLED DOCUMENT.

DIMENSIONS: 単位: 純 MM	TOLERANCES UNLESS OTHERWISE SPECIFIED: 一般公差	DWN S.KANEKI 140CT92		Tyco Electronics AMP K.K. Kawasaki, Japan
MATERIAL 材料	FINISH 仕上	CHK A.ONO 140CT92		NAME 名称
SEE NOTE 1		APVD S.KUBOUCHI 250CT95	PRODUCT SPEC 製品規格	SEE NOTE 2
		APPLICATION SPEC 取付適用規格	WEIGHT	
			SIZE A3	CAGE CODE 00779
			DRAWING NO 番号	177537
			RESTRICTED TO	
			CUSTOMER DRAWING	SCALE 10:1 SHEET 1 OF 1 REV D