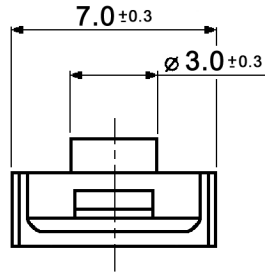
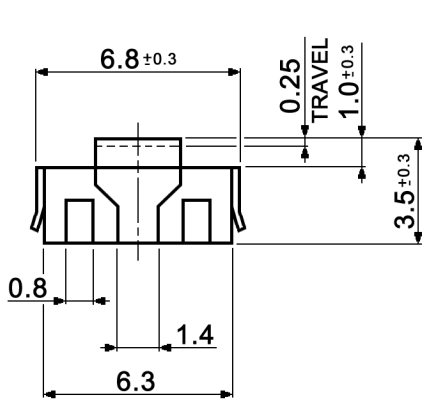
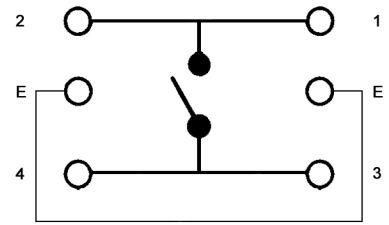
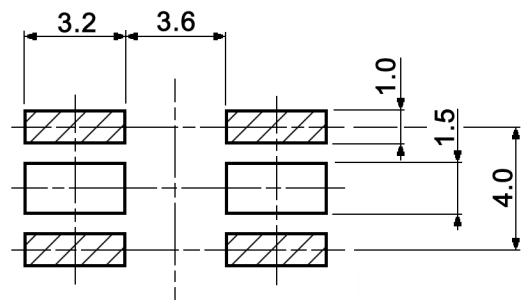


CIRCUIT DIAGRAM



P.C. MOUNTING



Specifications:

- Contact rating: 30mA, 24V DC, max. 0.6W
- Contact resistance: 100mOhm max.
- Insulation resistance: 100MOhm min. at 100V DC
- Dielectric strength: 250V, 50Hz for the duration of 1 minute
- Operating temperature: -25°C to +70°C
- Mechanical life: min. 100 000 cycles
- Operating force: 1.2N
- Soldering conditions: reflow soldering: max.: 230°C, 40sec.; peak temperature: 255°C
- Switching function: off - mom
- Mounting: on pc-board - SMD
- Material: Contacts: silver plated
Terminals: tin plated
Case: PA
Button: PA, black
Frame: stainless steel



Tolerances:	Date	Name	TMS 3
	08/09	dr	
			30 19 06
			knitter-switch
			30 19 06
			30 19 06
Modifications	Date	Name	Page 1/1