

SINGLE ROW TOP ENTRY SMT HEADER



1171 SERIES. 1.25 (0.049") mm pitch.

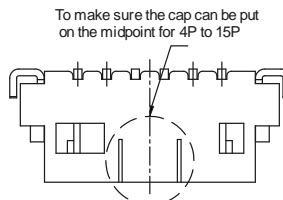
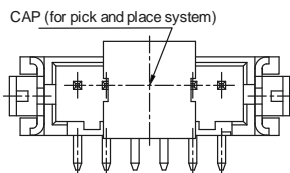
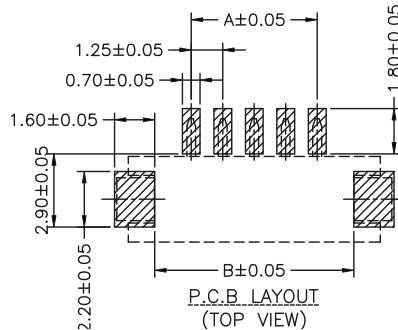
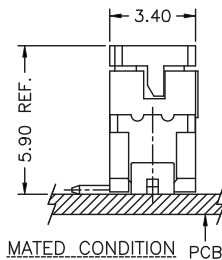
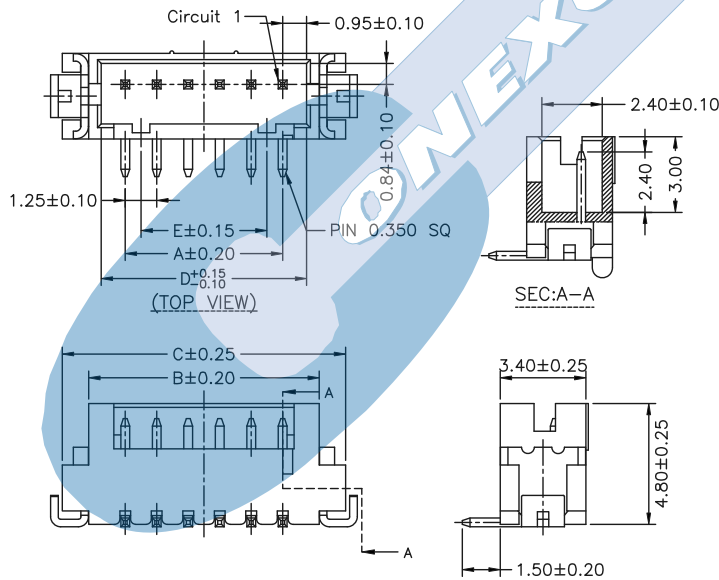
General Features

- Available in 2 through 15 circuits
- Mates with 1.25 mm crimp housing 1165 series
- Tin plated pin
- Locking slots provide secure mating
- SMT Soldering tabs to fix to PCB
- Polarized and low profile

Materials

- Insulator: Nylon 6T UL 94 V-0
- Contact: Tin plated brass
- Cap: Nylon 6T UL 94 V-0
- Solder tabs: Phosphor bronze
- Operating temperature: -25°C to +85°C
- RoHS Compliant

Dimension Information

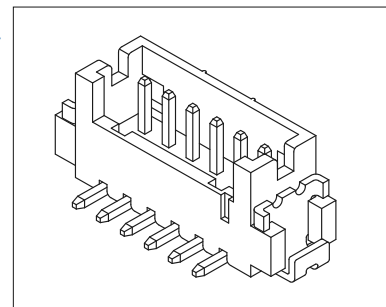


Electrical Features

- Voltage rating: < 125V
- Current rating: < 1 A
- Contact resistance: < 30 mΩ
- Dielectric Withstanding Voltage: 500 V AC/minute
- Insulation Resistance: >500 MΩ

Mechanical features

- Pin retention force to insulator: > 0.40 Kgf
- Durability: 25 cycles



1171 - T- XX- E
1 2 3 4

1. Connector Serie

2. (T) Contacts Plating

- T = 2. Tin-plated.
RECOMMENDED FINISH

3. (XX) Number of circuits

- Available in 2 through 15 circuits

4. (E) Packing Options

- E = 1. Pad + Tube
- E = 2. Pad + Reel

Dimensions: (In mm.)

- A = 1.25 x (XX-1)
- B = 1.25 x (XX)+1.65
- C = 1.25 x (XX)+3.75
- D = 1.25 x (XX)+0.65
- E = 1.25 x (XX)-2.50

(XX) = Number of circuits