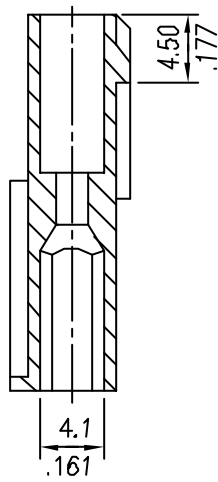
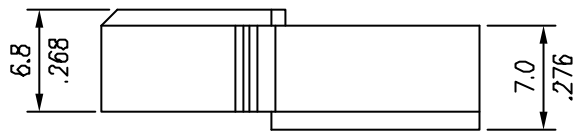
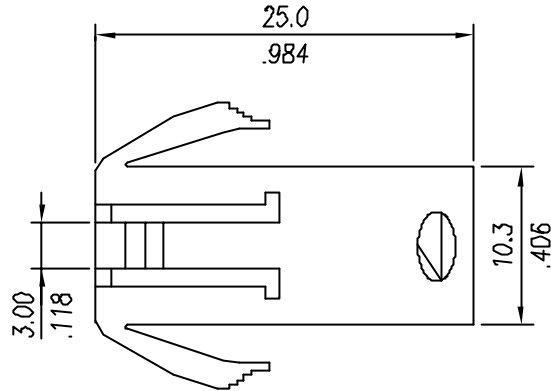
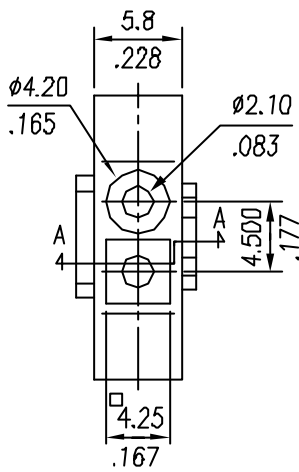
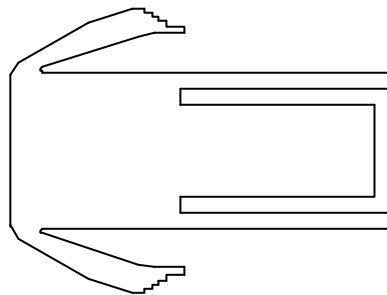


*** 5300 M Series ***
 Material : UL 94V-0 Nylon 6/6
 Unless otherwise specified tolerance :



SECTION A-A



				LECO LECO CORPORATION		APPROVED BY:		PART NO.:				
				GENERAL TOLERANCE		CHECKED BY:		TITLE:				
				X. ±		X. ±		HOUSING				
				.X ± $\frac{0.30}{.012}$.X ±		DRAWING NO.:				
				.XX ± $\frac{0.20}{.008}$.XX ±		530008S				
				.XXX ± $\frac{0.10}{.004}$.XXX ±		DRAWN BY:				
						Coco 05/08/'01		SCALE				
REV.	ECO. NO.	CHG	APPD.			UNITS		MM	SCALE	SIZE	SHEET	REV.
						inch		~	A4	1/1	B	