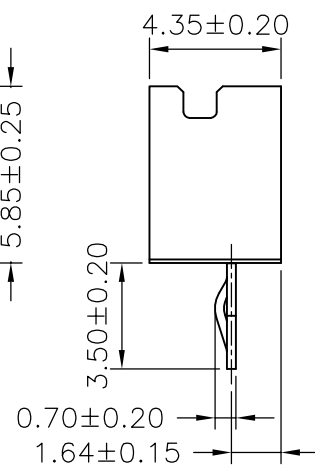
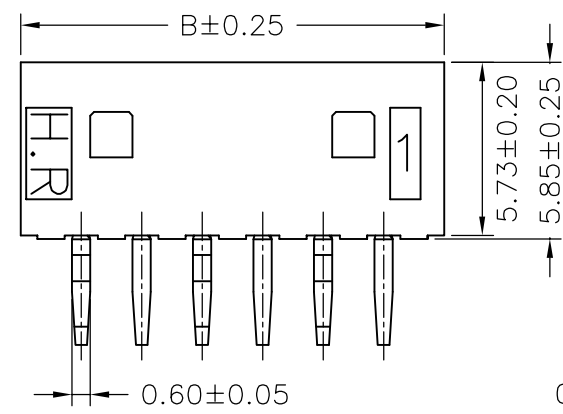
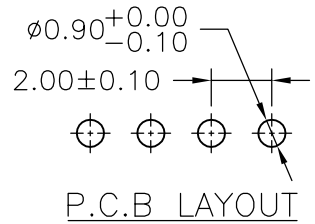
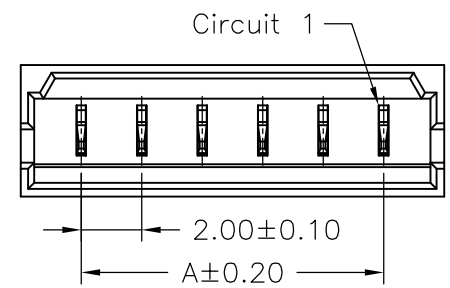


SPECIFICATIONS
 Current Rating: 2A AC,DC
 Voltage Rating: 125V AC,DC
 Temperature Range: -25°C ~ +85°C
 Contact Resistance: 20mΩ Max.
 Insulation Resistance: 1000MΩ Min.
 Withstanding Voltage: 800V AC/minute
 Pin Material: Phosphor Bronze/Tin-plated
 Material: Nylon 66,UL94V-0
 Pantone Color: 4685C



Ordering Information & Dimensions

PART NO.	Dimensions	
	A	B
A2002WV-02P	2.00	6.00
A2002WV-03P	4.00	8.00
A2002WV-04P	6.00	10.00
A2002WV-05P	8.00	12.00
A2002WV-06P	10.00	14.00
A2002WV-07P	12.00	16.00
A2002WV-08P	14.00	18.00
A2002WV-09P	16.00	20.00
A2002WV-10P	18.00	22.00
A2002WV-11P	20.00	24.00
A2002WV-12P	22.00	26.00
A2002WV-13P	24.00	28.00
A2002WV-14P	26.00	30.00
A2002WV-15P	28.00	32.00

		JOINT TECH ELECTRONIC IND. CO., LTD. JOY DAY INDUSTRIAL CO., LTD.	
	UNIT mm	SCALE	SHEET 1 of 1
	DRAWN BY 董正一 2004.09.07	APPROVED BY 董正一 2004.09.07	TITLE: 2.00mm PITCH 180° WAFER
	GENERAL TOLERANCE		
B1	REVISE	2007.01.11	X. X±0.25
B0	NEW RELEASE	2005.12.05	X. XX±0.15
REV.	DESCRIPTION	DATE	X. XXX±0.05
			DRAW NO. : A2002WV-XP
			REV. B1