

# GENERAL PURPOSE RECTIFIERS

82 DE 0258354 0000035 0

0258354 ADVANCED SEMICONDUCTOR

82D 00035

D T-01-01

IO AVERAGE RECTIFIED FORWARD CURRENT (AMPERES)

T. 25.01

VRRM	3	3	5	6	6	6	12	15	20	20	25	25
50	MR500	IN5400	IN1612	IN1341A		MR750	IN1199A	IN3208	IN248B	IN1191A	IN2154	IN3491
100	MR501	IN5401	IN1613	IN1342A		MR751	IN1200A	IN3209	IN249B	IN1192A	IN2155	IN3492
150				IN1343A			IN1201A			IN1193A		
200	MR502	IN5402	IN1614	IN1344A		MR752	IN1202A	IN3210	IN250B	IN1194A	IN2156	IN3493
300				IN1345A			IN1202A			IN1195A	IN2157	
400	MR504	IN5404	IN1615	IN1346A		MR704	IN1204A	IN3212		IN1196A	IN2158	IN3495
500				IN1347A			IN1205A			IN1197A	IN2159	
600	MR506	IN5406	IN1616	IN1348A		MR756	IN1206A	IN3214		IN1198A	IN2160	
700							IN3987					
800	MR508	IN5407				MR758	IN3988					
900							IN3989					
1000	MR510	IN5408				MR760	IN3990					
1200							IN5331					
IFSM	100	200		150	50	400	300	250	600	350	400	300
VFM	1	1.2	1.5	1.4	1.5	1.25	1.3	1.5	1.5	1.2	1.8	1.7
CASE	A1	A1	D04	D04	D04	A2	D04	D04	D05	D05	D05	D021

Available in "R" - REVERSE POLARITY versions.

## FAST RECOVERY RECTIFIERS

## SCHOTTKY RECTIFIERS

IO AVERAGE RECTIFIED FORWARD CURRENT (AMPERES)					
VRRM (VOLTS)	5	6	12	20	30
50	MR820	IN3879	IN3889	IN3899	IN3909
100	MR821	IN3880	IN3890	IN3900	IN3910
200	MR822	IN3881	IN3891	IN3901	IN3911
400	MR824	IN3883	IN3893	IN3903	IN3913
600	MR826				
800					
1000					
IFSM (Amps)	300	150	200	250	300
VFM	1	1.5	1.5	1.5	1.5
tRR (us)	.2	.2	.2	.2	.2
	A2	D04		D05	

IO AVERAGE RECTIFIED FORWARD CURRENT (AMPERES)					
VRRM (VOLTS)	15	25	40	50	
20	IN5826	IN5829		IN5832	
30	IN5827	IN5830	IN6095	IN5833	IN6097
35					
40	IN5828	IN5831	IN6096	IN5834	IN6098
45			SD41		SD51
IFSM (Amps)	500	800	400	800	800
VFM	.5	.48	.86	.59	.86
		D04		D05	

## SILICON CONTROLLED RECTIFIERS

ON-STATE (RMS) CURRENT AMPERES

VDRM VRRM	.5	.8	1.6	1.6	1.6	1.6	4	4	7.4	8	8	8
25	2N877	2N5060		C6U	2N2322	2N2344	2N6236	C106Y1	2N1770			C15U
50	2N878	2N5061	2N1595	C6F	2N2323	2N2345	2N6237	C106F1	2N1771	2N4441T	C122F	C15F
100	2N897	2N5062	2N1596	C6A	2N2324	2N2346	2N6238	C106A1	2N1772		C122A	C15A
200	2N881	2N5064	2N1597	C6B	2N2326	2N2348	2N6239	C106B1	2N1774	2N4442T	C122B	C15B
300			2N1598	C6C	2N2328			C106C1	2N1776		C122C	C15C
400			2N1599	C6D	2N2329		2N6240	C106D1	2N1777	2N4443T	C122D	C15D
500								C106E1	2N1778		C122E	C15E
600							2N6241	C106M1	2N2619	2N4444T	C122M	C15M
IGT (MA)	.2	.2	10	1	.2	.2	.2	.2	15	30	25	25
VGT	.8	.8	3	.8	.8	.8	1	.8	2	1.5	1.5	2.5
CASE TYPE	T018	T092	T039	T039	T039	T039	T0126	T0202	T064	T0220	T0220	T064

# GENERAL PURPOSE RECTIFIERS

0258354 ADVANCED SEMICONDUCTOR

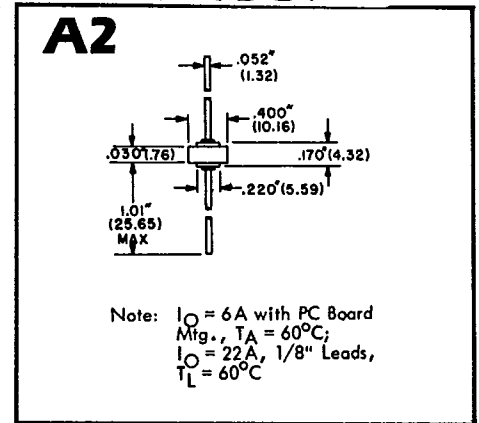
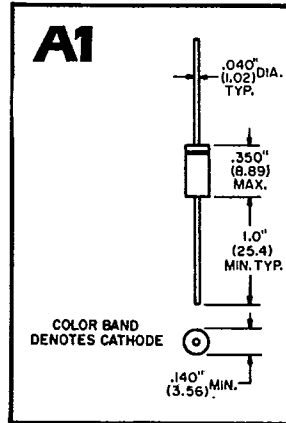
82D 00036

D T-01-01

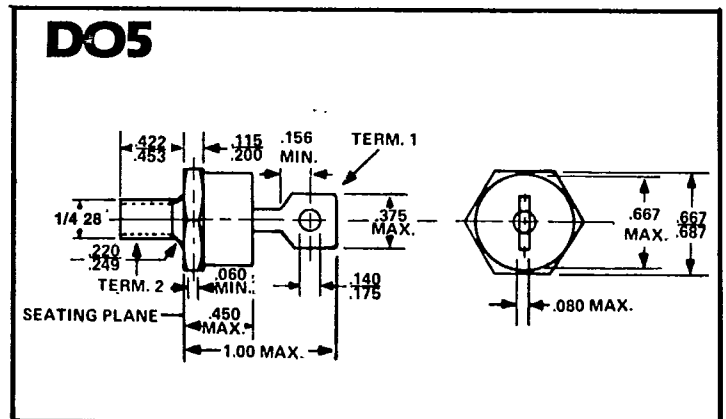
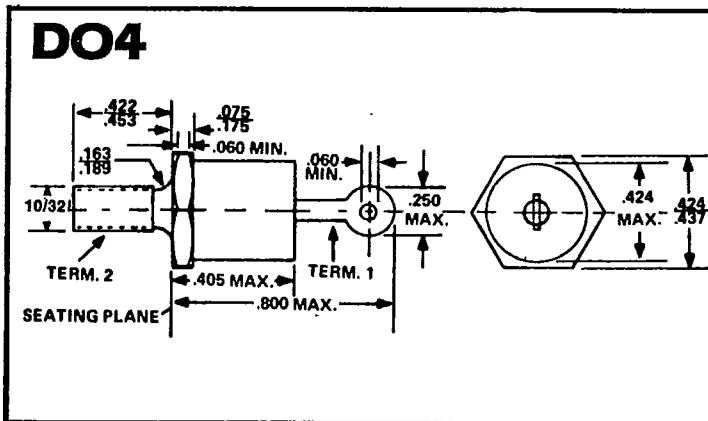
T. 25.01

IO AVERAGE RECTIFIED FORWARD CURRENT (AMPERES)

30	35	35	40	100	100	160
IN3659	IN1183		IN1183A			IN3260
IN3660	IN1184		IN1184A			IN3261
	IN1185		IN1185A			
IN3661	IN1186		IN1186A	IN3289	IN3289A	IN3263
	IN1187		IN1187A	IN3290	IN3290A	IN3265
IN3663	IN1188		IN1188A	IN3291	IN3291A	IN3267
	IN1189		IN1189A	IN3292	IN3292A	IN3268
	IN1190		IN1190A	IN3293	IN3293A	IN3269
		IN3765				IN3270
		IN3766		IN3294	IN3294A	IN3271
		IN3767				IN3272
		IN3768		IN3295	IN3295A	IN3273
				IN3296	IN3296A	IN3274
400	500	500	800	1600	2300	2000
1.2	1.7	1.8	1.2	1.5	1.25	1.6
D04	D05	D05	D05	D08	D08	D09



All Outline Drawings Conform to JEDEC and EIA Specifications



CONTINUED NEXT PAGE

## SILICON CONTROLLED RECTIFIERS

ON-STATE (RMS) CURRENT AMPERES

VDRM VRRM	8	10	12	16	16	20	25	25	35	35	35	35
25	2N4167	C220U			2N1842		2N681	C37U			C35U	C38U
50	2N4168	C220F	2N6394	2N6400	2N1843	2N5164	2N682	C37F			C35F	C38F
100	2N4169	C220A	2N6395	2N6401	2N1844		2N683	C37A	2N3870		C35A	C38A
200	2N4170	C220B	2N6396	2N6402	2N1846	2N5165	2N685	C37B	2N3871		C35B	C38B
300	2N4171	C220C			2N1848		2N687	C37C			C35C	C38C
400	2N4172	C220D	2N6397	2N6403	2N1849	2N5166	2N688	C37D	2N3872		C35D	C38D
500	2N4173	C220E			2N1850		2N689	C37E			C35E	C38E
600	2N4174	C220M	2N6398	2N6404		2N5167	2N690	C37M	2N3873	2N5204	C35M	
700							2N691	C37S			C35S	
800							2N692	C37N		2N5205		
900										2N5206		
1000												
1100										2N5207		
1200												
IGT (MA)	30	25	30	30	80	25	25	80	40	40	40	40
VGT	1.5	.2	1.5	1.5	2	2.5	3	3.5	3	3	3	3
CASE TYPE	T064	T048	T0220	T0220	T048	T048	T048	T048	T0203	T048	T048	T048

SILICON CONTROLLED RECTIFIERS CONTINUED NEXT PAGE