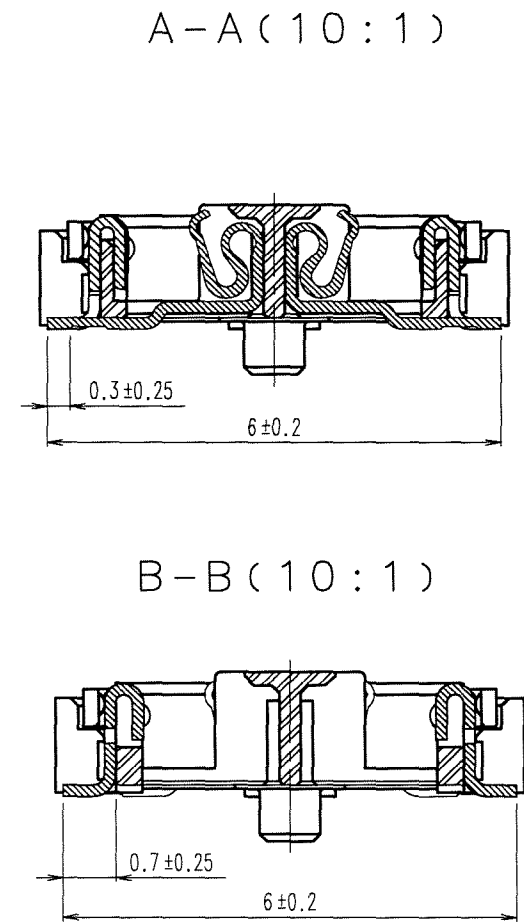
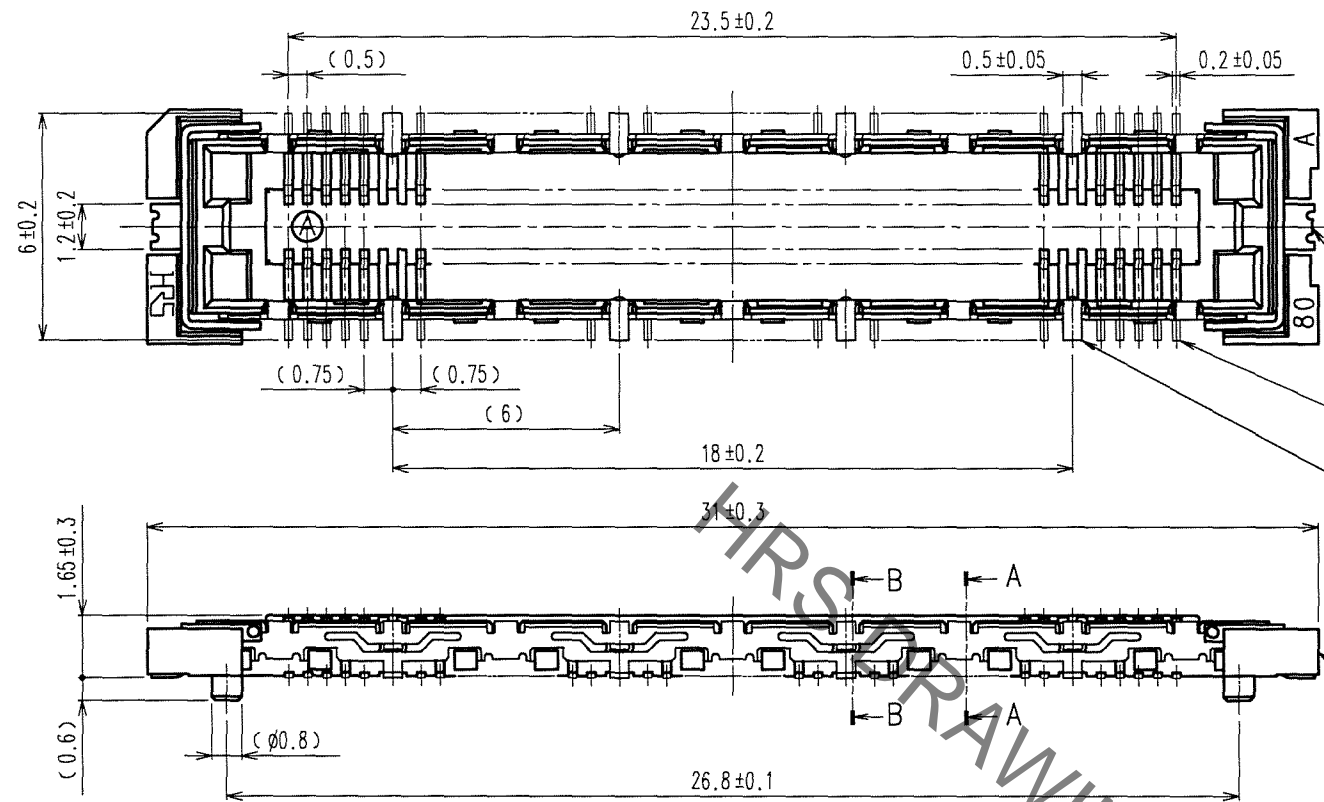
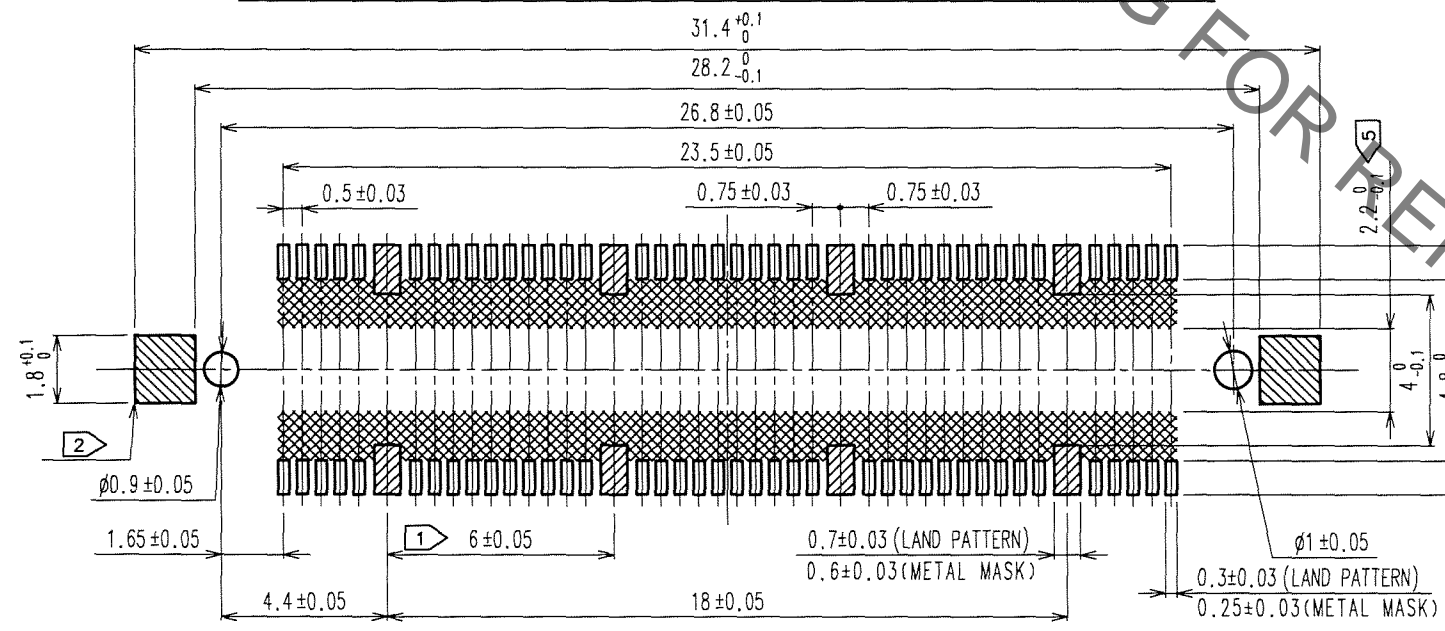


Jun.1.2019 Copyright 2019 HIROSE ELECTRIC CO., LTD. All Rights Reserved.
In case of consideration for using Automotive equipment / device which demand high reliability, kindly contact our sales window correspondents.

COUNT	DESCRIPTION OF REVISIONS	BY	CHKD	DATE	COUNT	DESCRIPTION OF REVISIONS	BY	CHKD	DATE



RECOMMENDED LAND PATTERN DIMENSION OF PCB

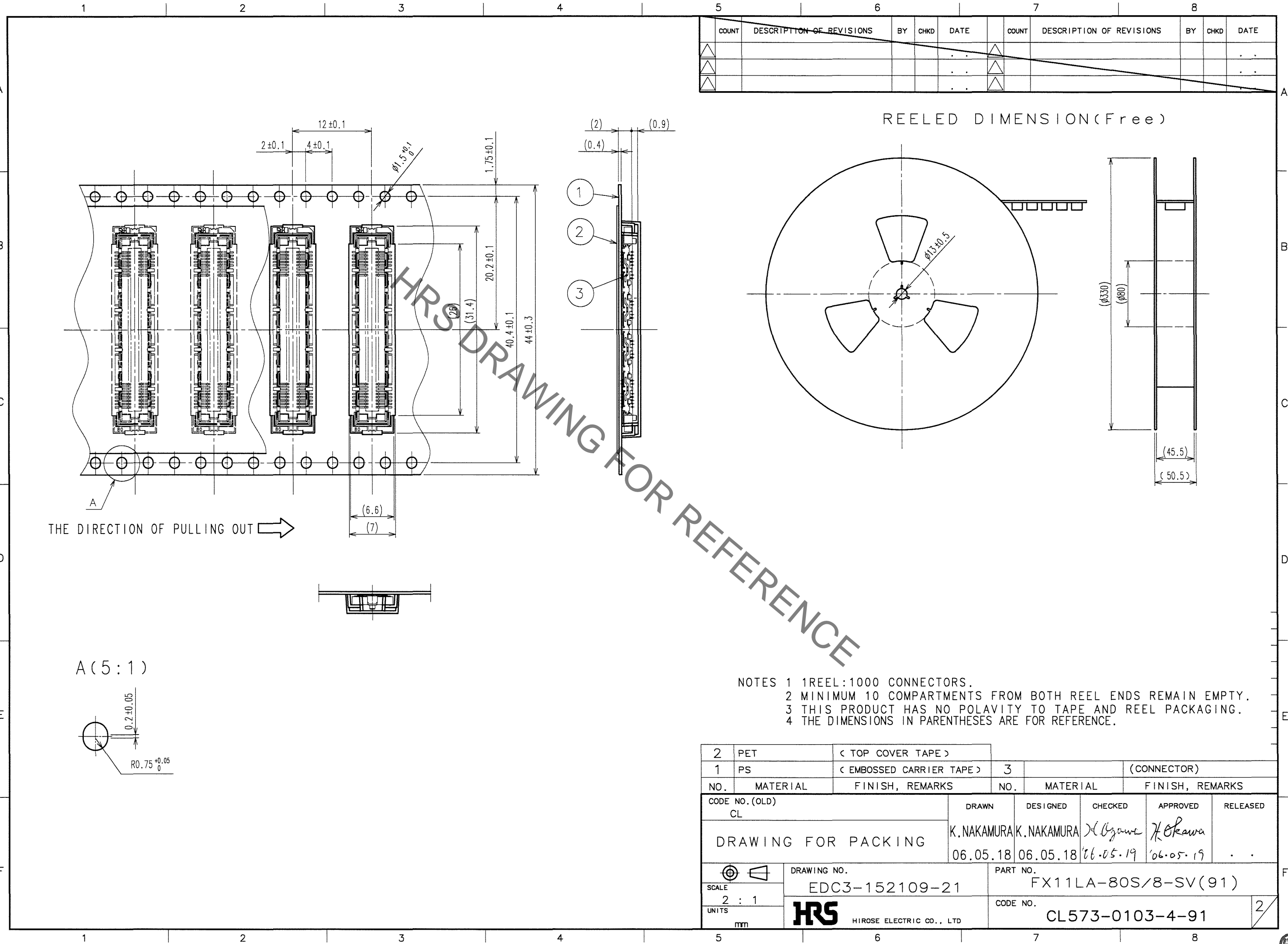


- NOTES
- 1 8 HATCHED PARTS: GROUND CIRCUIT.
 - 2 2 HATCHED PARTS: GROUND CIRCUIT.
 - 3 SMT LEAD-COPLANARITY: 0.1 MAX.
 - 4 THIS PRODUCT HAS NO POLARITY TO PATTERN FOR MOUNTING. MAKE SURE WIDTH OF PATTERN IS WITHIN THAT OF LAND, OR LEAD MAY TOUCH PATTERN. (THIS APPLIES TO HATCHED AREA.)
 - 5 TO BE EMBOSSED CARRIER TAPED AS SPECIFIED IN SHEET 2.
 - 6 THE DIMENSIONS IN PARENTHESES ARE FOR REFERENCE.

4	PHOSPHOR BRONZE	TIN-PLATING								CONTACT AREA: GOLD 0.1μm min.	
3	PHOSPHOR BRONZE	TIN-PLATING		2	PHOSPHOR BRONZE					LEAD AREA: GOLD FLASH	
1	LCP	BEIGE UL94V-0								UNDER PLATING: NICKEL 1μm min.	
NO.	MATERIAL	FINISH, REMARKS	NO.	MATERIAL	FINISH, REMARKS						
CODE NO. (OLD) CL			DRAWN	DESIGNED	CHECKED	APPROVED	RELEASED				
			K.NAKAMURA	K.NAKAMURA	(Signature)	(Signature)					
			06.05.18	06.05.18	06.05.19	06.05.19					
DRAWING NO. EDC3-152109-21			PART NO. FX11LA-80S/8-SV(91)								
SCALE 5 : 1			UNITS mm			CODE NO. CL573-0103-4-91			1/2		
HRS HIROSE ELECTRIC CO., LTD.											

TO
PCK

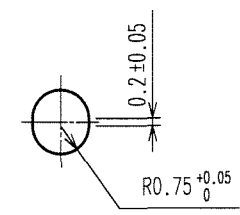
Jun.1.2019 Copyright 2019 HIROSE ELECTRIC CO., LTD. All Rights Reserved.
In case of consideration for using Automotive equipment / device which demand high reliability, kindly contact our sales window correspondents.



COUNT	DESCRIPTION OF REVISIONS	BY	CHKD	DATE	COUNT	DESCRIPTION OF REVISIONS	BY	CHKD	DATE

THE DIRECTION OF PULLING OUT →

A (5:1)



- NOTES 1 1 REEL:1000 CONNECTORS.
2 MINIMUM 10 COMPARTMENTS FROM BOTH REEL ENDS REMAIN EMPTY.
3 THIS PRODUCT HAS NO POLAVITY TO TAPE AND REEL PACKAGING.
4 THE DIMENSIONS IN PARENTHESES ARE FOR REFERENCE.

2	PET	< TOP COVER TAPE >					
1	PS	< EMBOSSED CARRIER TAPE >	3				(CONNECTOR)
NO.	MATERIAL	FINISH, REMARKS	NO.	MATERIAL	FINISH, REMARKS		
CODE NO. (OLD) CL			DRAWN	DESIGNED	CHECKED	APPROVED	RELEASED
DRAWING FOR PACKING			K.NAKAMURA	K.NAKAMURA	K. Ogawa	H. Okawa	
			06.05.18	06.05.18	'06-05-19	'06-05-19	
DRAWING NO. EDC3-152109-21		PART NO. FX11LA-80S/8-SV(91)					
SCALE 2 : 1		UNITS mm		CODE NO. CL573-0103-4-91		2	

TO
PCK