

Single

- For Detailed LED Data, See Discrete Section, MODEL 125

1 Model	
PCH125	Right Angle Mount
PCH125-200	Right Angle Mount
PCV125	Vertical Mount
PCV125-200	Vertical Mount

TO ORDER, FOLLOW THE EXAMPLE:

Select one BOLD component from each SHADED column in the tables below.	
1 Model	2 LED
PCH125	-BCA

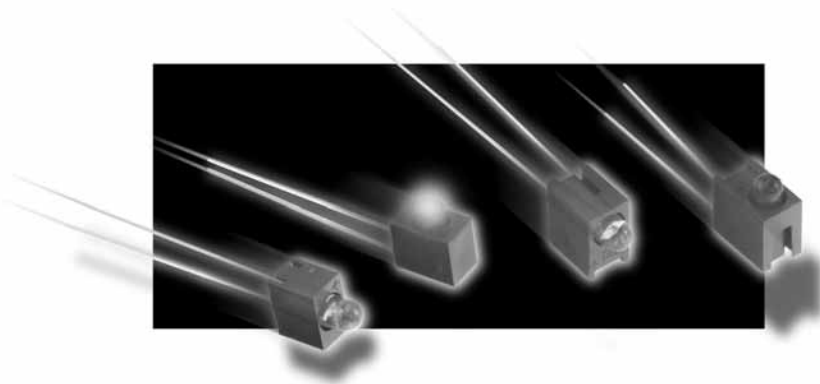
→Part Number PCH125-BCA

2 STANDARD INTENSITY - DIFFUSED ENCAPSULATION				
LED	Color	λ_{pk} (nm)	$I_v^{[1]}$ (mcd)	Viewing Angle
-BR	RED	635	14	60
-BA	AMB	583	14	60
-BG	GRN	565	14	60

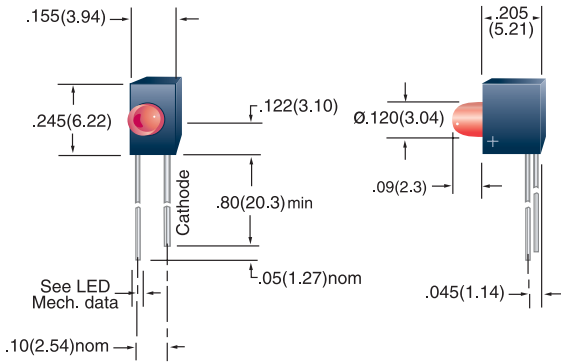
MEDIUM INTENSITY - TINTED ENCAPSULATION				
LED	Color	λ_{pk} (nm)	$I_v^{[1]}$ (mcd)	Viewing Angle
-BCR	RED	635	60	45
-BCA	AMB	583	30	45
-BCG	GRN	565	44	45

SPECIALTY LEDs					
LED	Color	λ_{pk} (nm)	$I_v^{[1]}$ (mcd)	Viewing Angle	Description
-RLP	RED	635	2.1	50	Low Power
-ALP	AMB	583	1.6	50	Low Power
-GLP	GRN	565	2.1	50	Low Power
-DRG	RED/GRN	635/567	4.3/3.7	118	Bi-Color, Cathode on right, longer lead
-BR5V	RED	635	8	60	Integrated Resistor for 5VDC
-BA5V	AMB	583	8	60	Integrated Resistor for 5VDC
-BG5V	GRN	565	8	60	Integrated Resistor for 5VDC
-BR12V	RED	635	8	60	Integrated Resistor for 12VDC
-BA12V	AMB	583	8	60	Integrated Resistor for 12VDC
-BG12V	GRN	565	8	60	Integrated Resistor for 12VDC

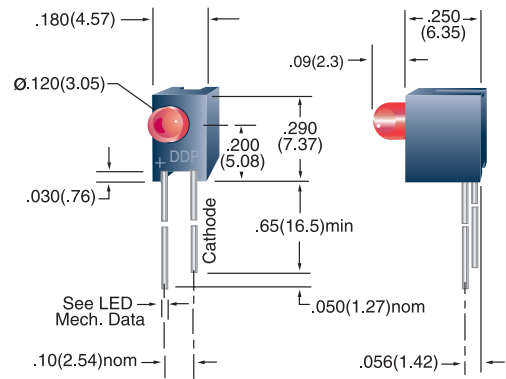
[1] I_v = typical luminous intensity @ $I_f = 20mA$ ($T_a = 25^\circ C$), Low Power LEDs @ $I_f = 2mA$, Integrated Resistor LEDs @ $V_f = 5VDC$ or @ $V_f = 12VDC$. Bi-color LEDs @ $I_f = 10mA$.



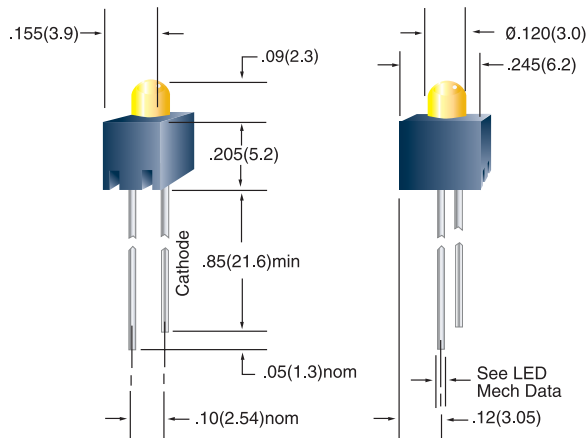
PCH125



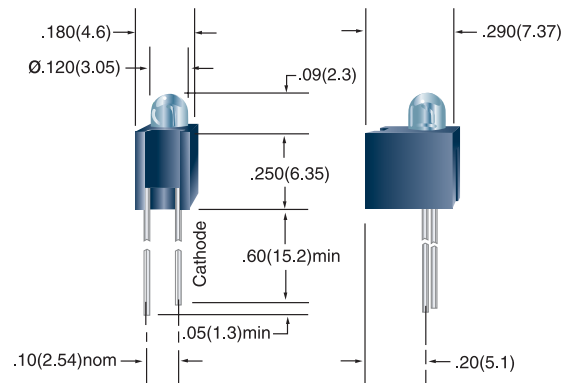
PCH125-200



PCV125



PCV125-200



All dimensions are in inches (mm)
 Tolerances: .xx"(.x) ±.025"(.63) / .xxx"(.xx)±.010"(.25)
 Specifications are subject to change without notice.