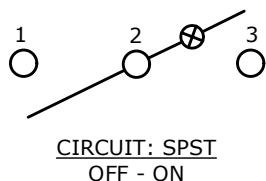


RECOMMENDED PANEL CUTOUT

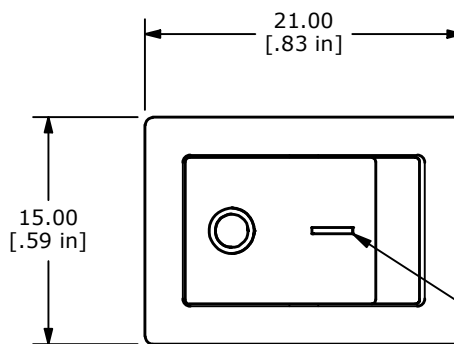
PANEL THICKNESS	X
0.75 - 1.25	19.2
1.25 - 2.00	19.4
2.00 - 3.00	19.6

SWITCH FUNCTION	
POS. 1	POS. 2
OFF	ON
OPEN	2-1, 2-3

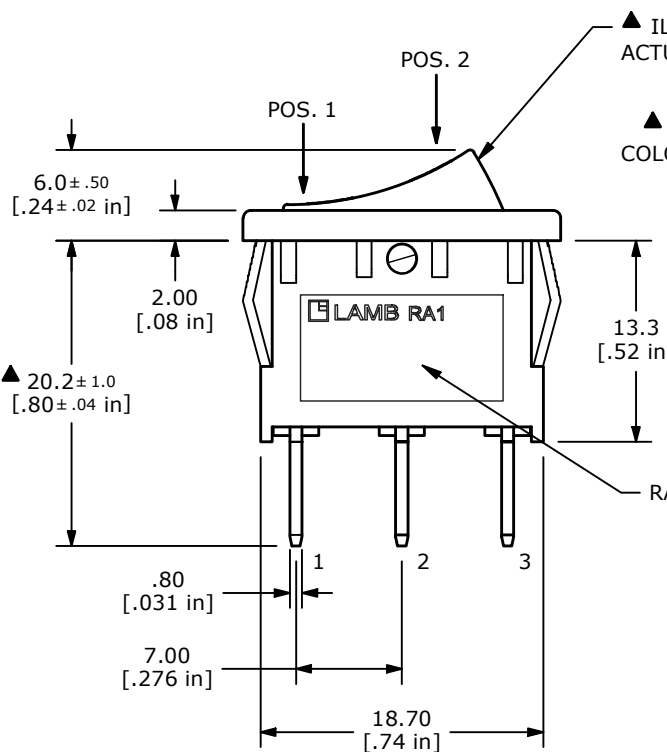


NOTE:

1. DIMENSIONS IN MM [INCH]
2. GENERAL TOLERANCE: X.X = ± 0.4  
X.XX = ± 0.25
3. TERMINAL NUMBERS FOR REF ONLY
4. CONTACT MATERIAL: SILVER
- ▲ 5. CONTACT RATINGS: 16A @ 125VAC [UR, cUR]  
10A @ 250VAC [UR, cUR]  
1/3HP 125/250VAC [UR, cUR]
6. CONTACT RESISTANCE: 35mΩ MAX. @ 50VAC
7. INSULATION RESISTANCE: 100MΩ MIN. @ 500VAC
8. DIELECTRIC STRENGTH: 1,500VAC FOR 1 MINUTE
9. ELECTRICAL LIFE: 6,000 CYCLES [UR, cUR]
10. OPERATING TEMPERATURE: -20°C to 105°C [UR, cUR]
11. ▲ DENOTES CRITICAL PARAMETER
- ▲ 12. LAMP VOLTAGE: 125V
- ▲ 13. LENS COLOR: GREEN

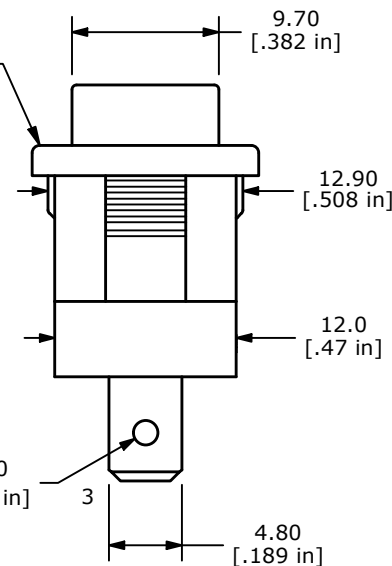


▲ GRAPHIC  
COLOR: WHITE



▲ ILLUMINATED  
ACTUATOR COLOR:  
GREEN

▲ BODY  
COLOR: BLACK



REV	ECO NO	DESCRIPTION	DATE	BY
C	ECO-101272	RA1 SERIES UPDATE	10/11/22	MR



OBJECT ID  
000001386

TITLE RA111C1021-136				
SCALE 2:1	DATE 3/10/2010	DR CAB	DWG 38-RA111C1021136	REV C