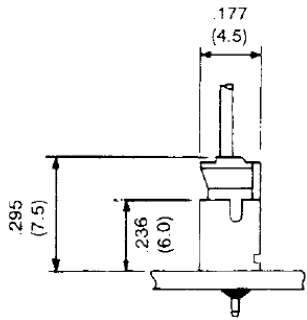


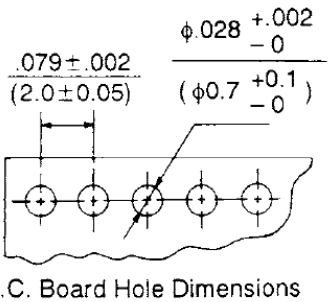
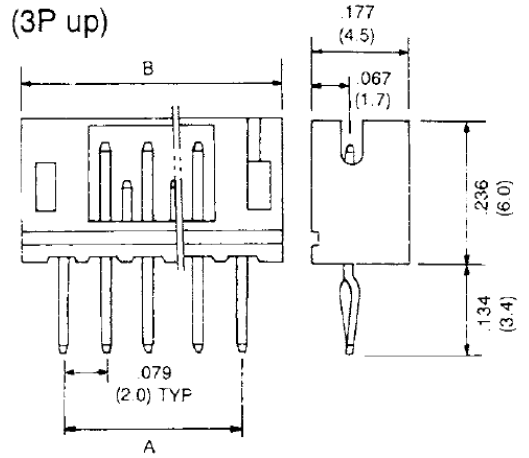
inches  
mm



**SPECIFICATIONS**

Housing material: Nylon, UL94V-0  
 Pins: .020" (.50mm) straight square wire

Dimensions - in (mm)		
Pos.	A	B
2	.079 ( 2.0)	.236 ( 6.0)
3	.157 ( 4.0)	.315 ( 8.0)
4	.236 ( 6.0)	.394 (10.0)
5	.315 ( 8.0)	.472 (12.0)
6	.394 (10.0)	.551 (14.0)
7	.472 (12.0)	.630 (16.0)
8	.551 (14.0)	.709 (18.0)
9	.630 (16.0)	.787 (20.0)
10	.709 (18.0)	.866 (22.0)
11	.787 (20.0)	.945 (24.0)
12	.866 (22.0)	1.024 (26.0)
13	.945 (24.0)	1.102 (28.0)
14	1.024 (26.0)	1.181 (30.0)
15	1.102 (28.0)	1.260 (32.0)



RoHS compliant

Series	Type	Positions
JS-A	2017N	XX
Header	Type 2017N	2-15 positions

Rev.	Description	Date	Approved	Drawing	Name	Date
				Approved	Howard	08/10/99
				Checked	Lizzy	08/10/99
				Drawn	Tina	08/10/99
				0.0 ± 0.35	0.00 ± 0.20	Angles ± 3'
				UNIT: mm		

**Central Components Manufacturing**  
 440 Lincoln Blvd., Middlesex, New Jersey 08846  
 Phone 732 469-5720 888 288-5152 Fax 732 469-1919

Part No.: **JS-A-2017N-XX**

Description: Header, .079" (2mm) pitch