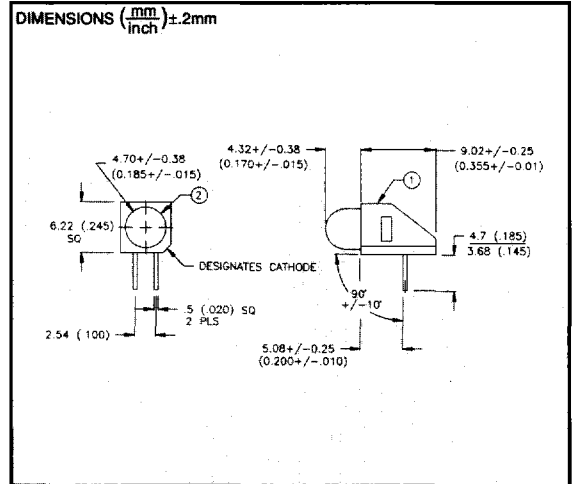


SSF-LXH104XX SERIES P.C. MOUNT LED T-5mm STYLE

FEATURES		APPLICATIONS		MATERIAL SPECIFICATIONS			
<ul style="list-style-type: none"> • Easy P.C. Installation • Fast Delivery Style • Choice of Colors, Current • Blinking Type Option 		<ul style="list-style-type: none"> • Fault Indicator • Back Lighting Indicator • P.C. Mount Indicators 		<ul style="list-style-type: none"> • Holder: Black Nylon • Termination: 0.5mm □ Leads • Installation: P.C. Mount/Solder 			
LUMEX PART NBR	EMITTED COLOR	OPERATING CURRENT (mA)	OPERATING TYP Volts (V)	BRIGHTNESS TYP (mCD) @	LED SERIES USED		
SSF-LXH104ID	RED	635	10-25	2.1	8 20	SSL-LX5093XX	
SSF-LXH104SRD	RED	660	10-25	1.7	35	20	SSL-LX5093XX
SSF-LXH104GD	GREEN	565	10-25	2.1	8	20	SSL-LX5093XX
SSF-LXH104YD	YELLOW	585	10-25	2.1	8	20	SSL-LX5093XX
BI-COLOR OPTION							
SSF-LXH104HGW	RED/GREEN	695/565	10-25	2.1	6/6	20	SSL-LX5093HGW
LOW CURRENT OPTIONS							
SSF-LXH104LID	RED	635	1-5	1.8	1.2	2	SSL-LX5093LXX
SSF-LXH104LGD	GREEN	565	1-5	1.8	1.2	2	SSL-LX5093LXX
SSF-LXH104LYD	YELLOW	585	1-5	1.8	1.2	2	SSL-LX5093LXX
BLINKING OPTION							
SSF-LXH104BID	RED	635	10-12	3-15V	8	9V	SSL-LX5093LXX

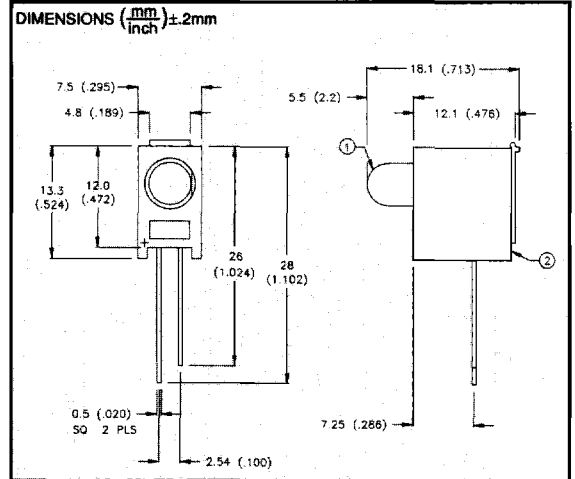
See pages 8 -14 for Max.operating limits and operating curves



SSF-LXH140XX SERIES P.C. MOUNT LED HIGH PROFILE

FEATURES		APPLICATIONS		MATERIAL SPECIFICATIONS			
<ul style="list-style-type: none"> • Easy P.C. Installation • Fast Delivery Style • Choice of Colors, Current • Blinking Type Option 		<ul style="list-style-type: none"> • Fault Indicator • Back Lighting Indicator • P.C. Mount Indicators 		<ul style="list-style-type: none"> • Holder: Black Nylon • Termination: 0.5mm □ Leads • Installation: P.C. Mount/Solder 			
LUMEX PART NBR	EMITTED COLOR	OPERATING CURRENT (mA)	OPERATING TYP Volts (V)	BRIGHTNESS TYP (mCD) @	LED SERIES USED		
SSF-LXH140ID	RED	635	10-25	2.1	8 20	SSL-LX5093XX	
SSF-LXH140SRD	RED	660	10-25	1.7	35	20	SSL-LX5093XX
SSF-LXH140GD	GREEN	565	10-25	2.1	8	20	SSL-LX5093XX
SSF-LXH140YD	YELLOW	585	10-25	2.1	8	20	SSL-LX5093XX
BI-COLOR OPTION							
SSF-LXH140HGW	RED/GREEN	695/565	10-25	2.1	6/6	20	SSL-LX5093HGW
LOW CURRENT OPTIONS							
SSF-LXH140LID	RED	635	1-5	1.8	1.2	2	SSL-LX5093LXX
SSF-LXH140LGD	GREEN	565	1-5	1.8	1.2	2	SSL-LX5093LXX
SSF-LXH140LYD	YELLOW	585	1-5	1.8	1.2	2	SSL-LX5093LXX
BLINKING OPTION							
SSF-LXH140BID	RED	635	10-20	3-15V	8	9V	SSL-LX5093LXX

See pages 8 -14 for Max.operating limits and operating curves



SSF-LXH141XX SERIES P.C. MOUNT LED-EDGE P.C. RETAINER

FEATURES		APPLICATIONS		MATERIAL SPECIFICATIONS			
<ul style="list-style-type: none"> • Easy P.C. Installation • Fast Delivery Style • Choice of Colors, Current • Blinking Type Option 		<ul style="list-style-type: none"> • Fault Indicator • Back Lighting Indicator • P.C. Mount Indicators 		<ul style="list-style-type: none"> • Holder: Nylon White • Termination: 0.5mm □ Leads • Installation: P.C. Mount/Solder 			
LUMEX PART NBR	EMITTED COLOR	OPERATING CURRENT (mA)	OPERATING TYP Volts (V)	BRIGHTNESS TYP (mCD) @	LED SERIES USED		
SSF-LXH141ID	RED	635	10-25	2.1	8 20	SSL-LX5093XX	
SSF-LXH141SRD	RED	660	10-25	1.7	35	20	SSL-LX5093XX
SSF-LXH141GD	GREEN	565	10-25	2.1	8	20	SSL-LX5093XX
SSF-LXH141YD	YELLOW	585	10-25	2.1	8	20	SSL-LX5093XX
BI-COLOR OPTION							
SSF-LXH141HGW	RED/GREEN	695/565	10-25	2.1	6/6	20	SSL-LX5093HGW
LOW CURRENT OPTIONS							
SSF-LXH141LID	RED	635	1-5	1.8	1.2	2	SSL-LX5093LXX
SSF-LXH141LGD	GREEN	565	1-5	1.8	1.2	2	SSL-LX5093LXX
SSF-LXH141LYD	YELLOW	585	1-5	1.8	1.2	2	SSL-LX5093LXX
BLINKING OPTION							
SSF-LXH141BID	RED	635	10-20	3-15V	8	9V	SSL-LX5093LXX

See pages 8 -14 for Max.operating limits and operating curves

