

Rochester Electronics Manufactured Components

Rochester branded components are manufactured using either die/wafers purchased from the original suppliers or Rochester wafers recreated from the original IP. All recreations are done with the approval of the OCM.

Parts are tested using original factory test programs or Rochester developed test solutions to guarantee product meets or exceed the OCM data sheet.

Quality Overview

- ISO-9001
- AS9120 certification
- Qualified Manufacturers List (QML) MIL-PRF-35835
 - Class Q Military
 - Class V Space Level
- Qualified Suppliers List of Distributors (QSLD)
 - Rochester is a critical supplier to DLA and meets all industry and DLA standards.

Rochester Electronics, LLC is committed to supplying products that satisfy customer expectations for quality and are equal to those originally supplied by industry manufacturers.

The original manufacturer's datasheet accompanying this document reflects the performance and specifications of the Rochester manufactured version of this device. Rochester Electronics guarantees the performance of its semiconductor products to the original OEM specifications. 'Typical' values are for reference purposes only. Certain minimum or maximum ratings may be based on product characterization, design, simulation, or sample testing.

AMI Semiconductor

AMIS-30622 Stepper Motordriver & Controller with I²C Bus & Microstepping Features

Key Features

Motordriver

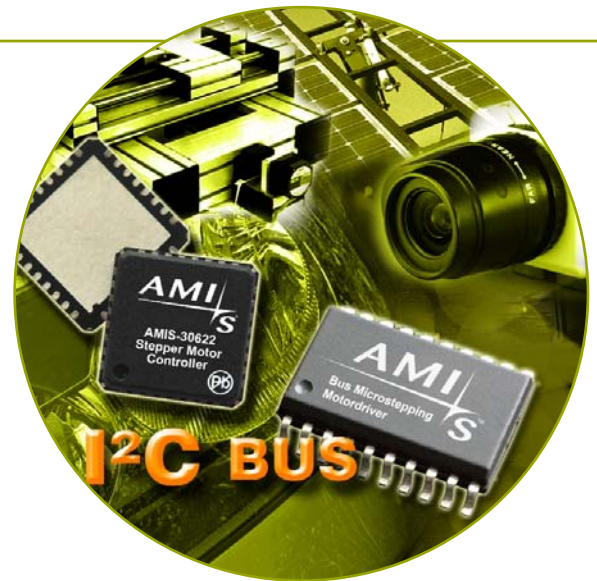
- Microstepping (1/2, 1/4, 1/8, 1/16)
- Programmable peak current up to 800mA
- 20kHz PWM current control
- Automatic selection of fast and slow decay mode
- Internal fly-back FETs
- Fully integrated current sense
- 8V-29V supply voltage
- Automotive compliant
- Full diagnostics and status information
- 5V reference voltage pin

Programmable Controller

- Position controller
- Configurable speeds, acceleration and deceleration
- Programmable hold current
- Programmable 'safe position'
- Customized default setting in non-volatile memory (OTP)
- Movement/position sensor input

Protection and Diagnostics

- Over-current protection
- Under-voltage management
- Over-voltage protection
- High-temp warning and shutdown
- Low-temp warning
- Detection of open and shorted motor coils
- Management of safe position



Serial Bus Interface

- 2-wire I²C serial interface
- 5V microcontroller compatible
- Up to 32 node addresses

EMI Compatibility

- Power drivers with slope control

Product Description

The AMIS-30622 is a stepper motordriver with position controller and control/diagnostics interface integrated in one single chip.

The product is ready to be connected as a peripheral device to a microcontroller with minimal loading of the microcontroller. The chip receives high level positioning instructions through the I²C interface and subsequently drives the motor coils until the desired position is reached. The on-chip position controller is configurable for different

motor types, positioning ranges and parameters for speed, acceleration, deceleration, hold current, safe position. Six OTP bytes are available to set default values, and can be overruled by values programmed through the I²C bus.

The AMIS-30622 acts as a slave on the serial bus and the master can fetch specific status information like actual position, error flags, etc. from each individual slave node.

Applications and Benefits

The AMIS-30622 is ideally suited for small positioning applications. Target markets include automotive, industrial equipment and building automation. Applications of interest have typically multiple axes.

The high abstraction level of the product's command set reduces the load of the processor on the master side. Scaling of the application towards number of axes is straight-forward: hardware and software designs are extended in a modular way, without severely affecting the

demands on the master microcontroller. The I²C bus structure simplifies PCB track-layout and/or wiring architectures.

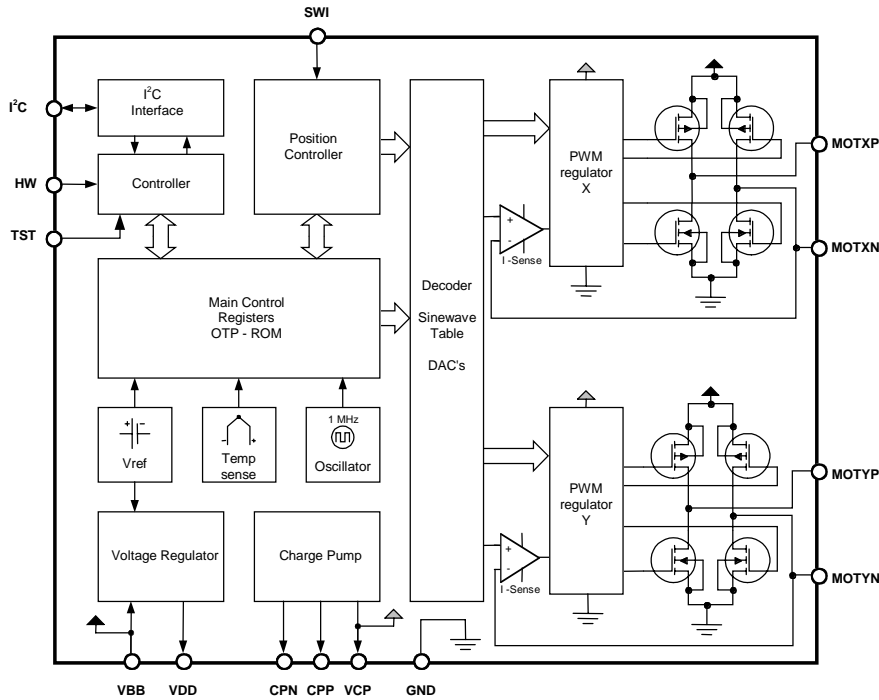
Microstepping operation removes the design trade-off between minimal operation speed and avoiding the risk of noise and step loss due to resonance phenomena.

All these benefits result in reduced system cost and time-to-market and improved technical performance.

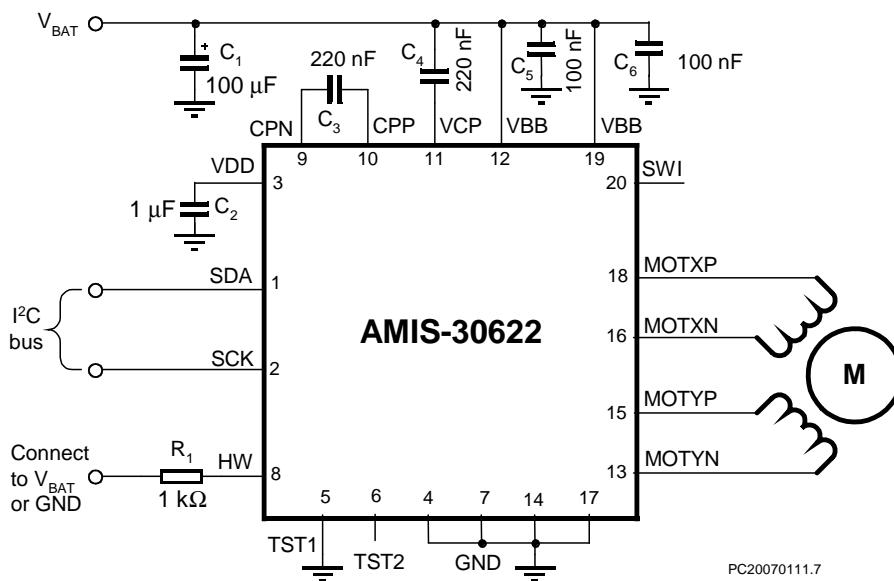
Ordering Codes

Part N°	Package	Peak Current at Max. Temp.	Ambient Temperature	Ordering Code - Tube	Ordering Code - Tape
AMIS-30622-AGA	SOIC-20	800mA	-40°C...125°C	0C622-003-XTD	0C622-003-XTP
AMIS-30622-ANA	NQFP-32 (7mm x 7mm)	800mA	-40°C...125°C	0C622-004-XTD	0C622-004-XTP

Functional Block Diagram



Typical Application



AMI Semiconductor

www.amis.com



Devices sold by AMIS are covered by the warranty and patent indemnification provisions appearing in its Terms of Sale only. AMIS makes no warranty, express, statutory, implied or by description, regarding the information set forth herein or regarding the freedom of the described devices from patent infringement. AMIS makes no warranty of merchantability or fitness for any purposes. AMIS reserves the right to discontinue production and change specifications and prices at any time and without notice. AMI Semiconductor's products are intended for use in commercial applications. Applications requiring extended temperature range, unusual environmental requirements, or high reliability applications, such as military, medical life-support or life-sustaining equipment, are specifically not recommended without additional processing by AMIS for such applications.

Copyright ©2007 AMI Semiconductor, Inc. M-20654-001 AP

AMIS-30622

Stepper Motor driver & Controller Feature Sheet