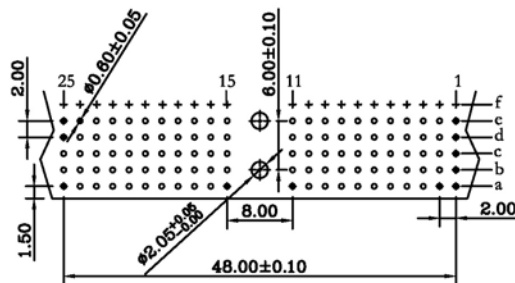
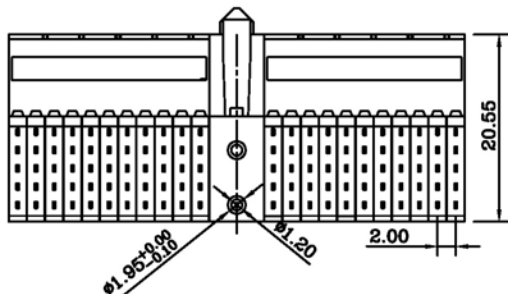
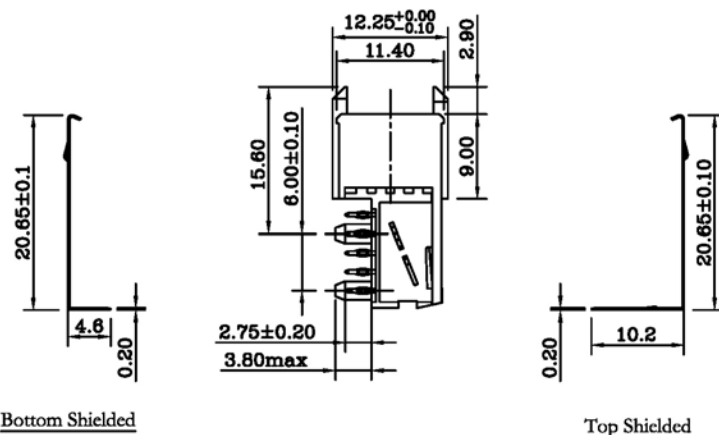


SPECIFICATIONS

Current Rating: 1 AMP
 Withstanding: AC 750V for 1 min.
 Insulator Resistance: 1000MΩ min. at DC 500V
 Contact Resistance: 20mΩ max. at DC 100mA.
 Operating Temp.: -55°C ~ +105°C
 Housing Material: 30% Glass filled PBT UL94V-0
 Contact Material: Phosphor Bronze



P.C. Board Layout
(Top View)



RoHS compliant

| Series | Type | Plating | Options |
|------------|-------------------------------|---|--|
| CFB | 72A110 | XX | XX |
| Future Bus | 2mm right angle female type A | SGXX=Selective Gold GDXX=Gold XX=10, 30μ" | Blank=None TS=Top Shielded TBS=Top + Bottom Shield |

| Rev. | Description | Date | Approved | Drawing | Name | Date |
|------|-------------|------|----------|------------|-------------|-------------|
| | | | | Approved | Howard | 03/13/08 |
| | | | | Checked | Lizzy | 03/13/08 |
| | | | | Drawn | Tina | 03/13/08 |
| | | | | 0.0 ± 0.35 | 0.00 ± 0.20 | Angles ± 3' |
| | | | | UNIT: mm | | |

Central Components Manufacturing
 440 Lincoln Blvd., Middlesex, New Jersey 08846
 Phone 732 469-5720 888 288-5152 Fax 732 469-1919

Part No.: **CFB-72A110-XXXX-XX**

Description: Future Bus Connector Female Right angle Type A