

2-1-4 List of General Purpose Transistors by Part No.

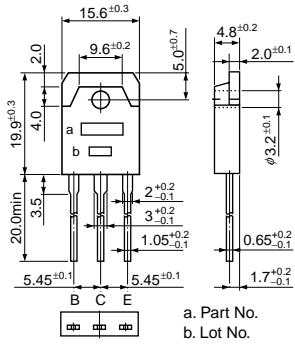
Part No.	V _{cb0} (V)	V _{ce0} (V)	I _c (A)	P _c (W)	Package	Remarks	Fig. No.
2SA1186	-150	-150	-10	100	TO-3P	LAPT	1
2SA1215	-160	-160	-15	150	MT-200 (2-screw mount)	LAPT	2
2SA1216	-180	-180	-17	200	MT-200 (2-screw mount)	LAPT	
2SA1262	-60	-60	-4	30	TO-220		3
2SA1294	-230	-230	-15	130	TO-3P	LAPT	1
2SA1295	-230	-230	-17	200	MT-200 (2-screw mount)	LAPT	2
2SA1303	-150	-150	-14	125	TO-3P	LAPT	1
2SA1386	-160	-160	-15	130	TO-3P	LAPT	
2SA1386A	-180	-180	-15	130	TO-3P	LAPT	
2SA1488	-60	-60	-4	25	TO-220F		4
2SA1488A	-80	-80	-4	25	TO-220F		
2SA1492	-180	-180	-15	130	TO-3P		1
2SA1493	-200	-200	-15	150	MT-200 (2-screw mount)		2
2SA1494	-200	-200	-17	200	MT-200 (2-screw mount)		
2SA1567	-50	-50	-12	35	TO-220F	Low V _{CE} (sat)	4
2SA1568	-60	-60	±12	35	TO-220F	Low V _{CE} (sat)	
2SA1667	-150	-150	-2	25	TO-220F		
2SA1668	-200	-200	-2	25	TO-220F		
2SA1673	-180	-180	-15	85	TO-3PF		5
2SA1693	-80	-80	-6	60	TO-3P		1
2SA1694	-120	-120	-8	80	TO-3P		
2SA1695	-140	-140	-10	100	TO-3P		
2SA1725	-80	-80	-6	30	TO-220F		4
2SA1726	-80	-80	-6	50	TO-220		3
2SA1859	-150	-150	-2	20	TO-220F		4
2SA1859A	-180	-180	-2	20	TO-220F		
2SA1860	-150	-150	-14	80	TO-3PF	LAPT	5
2SA1907	-80	-80	-6	60	TO-3PF		
2SA1908	-120	-120	-8	75	TO-3PF		
2SA1909	-140	-140	-10	80	TO-3PF		
2SA2003	-60	-60	-5	25	TO-220F		4
2SB1257	-60	-60	-4	25	TO-220F	Darlington	
2SB1258	-100	-100	-6	30	TO-220F	Darlington	
2SB1259	-120	-120	-10	30	TO-220F	Darlington	
2SB1351	-60	-60	-12	30	TO-220F	Darlington	5
2SB1352	-60	-60	-12	60	TO-3PF	Darlington	
2SB1382	-120	-120	-16	75	TO-3PF	Darlington	
2SB1383	-120	-120	-25	120	TO-3P	Darlington	1
2SB1420	-120	-120	-16	80	TO-3P	Darlington	
2SB1559	-160	-160	-8	80	TO-3P	Darlington	
2SB1560	-160	-150	-10	100	TO-3P	Darlington	
2SB1570	-160	-150	-12	150	MT-200 (2-screw mount)	Darlington	2
2SB1587	-160	-150	-8	75	TO-3PF	Darlington	5
2SB1588	-160	-150	-10	80	TO-3PF	Darlington	
2SB1647	-150	-150	-15	130	TO-3P	Darlington	1
2SB1648	-150	-150	-17	200	MT-200 (2-screw mount)	Darlington	2
2SB1649	-150	-150	-15	85	TO-3PF	Darlington	5
2SB1659	-110	-110	-6	50	TO-220	Darlington	3
2SB1685	-110	-110	-6	60	TO-3P	Darlington	1
2SB1686	-110	-110	-6	30	TO-220F	Darlington	4
2SB1687	-110	-110	-6	60	TO-3PF	Darlington	5
2SC2023	300	300	2	40	TO-220		3
2SC2837	150	150	10	100	TO-3P	LAPT	1
2SC2921	160	160	15	150	MT-200 (2-screw mount)	LAPT	2
2SC2922	180	180	17	200	MT-200 (2-screw mount)	LAPT	
2SC3179	80	60	4	30	TO-220		3
2SC3263	230	230	15	130	TO-3P	LAPT	1
2SC3264	230	230	17	200	MT-200 (2-screw mount)	LAPT	2

Part No.	V _{CB0} (V)	V _{CE0} (V)	I _c (A)	P _c (W)	Package	Remarks	Fig. No.
2SC3284	150	150	14	125	TO-3P	LAPT	1
2SC3519	160	160	15	130	TO-3P	LAPT	
2SC3519A	180	180	15	130	TO-3P	LAPT	
2SC3678	900	800	3	80	TO-3P		
2SC3679	900	800	5	100	TO-3P		
2SC3680	900	800	7	120	TO-3P		
2SC3830	600	500	6	50	TO-220		3
2SC3831	600	500	10	100	TO-3P		1
2SC3832	500	400	7	50	TO-220		3
2SC3833	500	400	12	100	TO-3P		1
2SC3834	200	120	7	50	TO-220		3
2SC3835	200	120	7	70	TO-3PF		5
2SC3851	80	60	4	25	TO-220F		4
2SC3851A	100	80	4	25	TO-220F		
2SC3852	80	60	3	25	TO-220F	High h _{FE} /Low V _{CE} (sat)	
2SC3852A	100	80	3	25	TO-220F	High h _{FE} /Low V _{CE} (sat)	
2SC3856	180	180	15	130	TO-3P		1
2SC3857	200	200	15	150	MT-200 (2-screw mount)		2
2SC3858	200	200	17	200	MT-200 (2-screw mount)		
2SC3890	500	400	7	30	TO-220F		4
2SC3927	900	550	10	120	TO-3P		1
2SC4020	900	800	3	50	TO-220		3
2SC4024	100	50	10	35	TO-220F	High h _{FE} /Low V _{CE}	4
2SC4064	50	50	12	35	TO-220F	Low V _{CE} (sat)	4
2SC4065	60	60	±12	35	TO-220F	Low V _{CE} (sat)	
2SC4073	500	400	5	30	TO-220F		
2SC4130	500	400	7	30	TO-220F		
2SC4131	100	50	15	60	TO-3PF	Low V _{CE} (sat)	5
2SC4138	500	400	10	80	TO-3P		1
2SC4139	500	400	15	120	TO-3P		
2SC4140	500	400	18	130	TO-3P		
2SC4153	200	120	7	30	TO-220F		4
2SC4296	500	400	10	75	TO-3PF		5
2SC4297	500	400	12	75	TO-3PF		
2SC4298	500	400	15	80	TO-3PF		
2SC4299	900	800	3	70	TO-3PF		
2SC4300	900	800	5	75	TO-3PF		
2SC4301	900	800	7	80	TO-3PF		
2SC4304	900	800	3	35	TO-220F		4
2SC4381	150	150	2	25	TO-220F		
2SC4382	200	200	2	25	TO-220F		5
2SC4388	200	180	15	85	TO-3PF		
2SC4418	500	400	5	30	TO-220F		4
2SC4434	500	400	15	120	TO-3P		1
2SC4445	900	800	3	60	TO-3PF		5
2SC4466	120	80	6	60	TO-3P		1
2SC4467	160	120	8	80	TO-3P		
2SC4468	200	140	10	100	TO-3P		4
2SC4495	80	50	3	25	TO-220F	High h _{FE} /Low V _{CE} (sat)	
2SC4511	120	80	6	30	TO-220F		3
2SC4512	120	80	6	50	TO-220		
2SC4517	900	550	3	30	TO-220F		4
2SC4517A	1000	550	3	30	TO-220F		
2SC4518	900	550	5	35	TO-220F		
2SC4518A	1000	550	5	35	TO-220F		
2SC4546	600	400	7	30	TO-220F		5
2SC4557	900	550	10	80	TO-3PF		
2SC4662	500	400	5	30	TO-220F		4
2SC4706	900	600	14	130	TO-3P		1
2SC4883	150	150	2	20	TO-220F		4
2SC4883A	180	180	2	20	TO-220F		
2SC4886	150	150	14	80	TO-3PF	LAPT	5

Part No.	V _{CB0} (V)	V _{CE0} (V)	I _c (A)	P _c (W)	Package	Remarks	Fig. No.
2SC4907	600	500	6	30	TO-220F		4
2SC4908	900	800	3	35	TO-220F		
2SC5002	1500	800	7	80	TO-3PF		5
2SC5071	500	400	12	100	TO-3P		1
2SC5099	120	80	6	60	TO-3PF		5
2SC5100	160	120	8	75	TO-3PF		
2SC5101	200	140	10	80	TO-3PF		
2SC5124	1500	800	10	100	TO-3PF		
2SC5130	600	400	5	30	TO-220F		4
2SC5239	900	550	3	50	TO-220		3
2SC5249	600	600	3	35	TO-220F		4
2SC5271	250	200	5	30	TO-220F		
2SC5287	900	550	5	80	TO-3P		1
2SC5333	300	300	2	35	TO-220F		4
2SC5370	60	40	12	30	TO-220F	Low V _{CE} (sat)	
2SC5487	60	60	5	25	TO-220F		
2SC5586	900	550	5	80	TO-3PF		
2SD1769	120	120	6	50	TO-220	Darlington	3
2SD1785	120	120	6	30	TO-220F	Darlington	4
2SD1796	60±10	60±10	4	25	TO-220F	Darlington	
2SD2014	120	80	4	25	TO-220F	Darlington	
2SD2015	150	120	4	25	TO-220F	Darlington	
2SD2016	200	200	3	25	TO-220F	Darlington	
2SD2017	300	250	6	35	TO-220F	Darlington	
2SD2045	120	120	6	50	TO-3PF	Darlington	5
2SD2081	120	120	10	30	TO-220F	Darlington	4
2SD2082	120	120	16	75	TO-3PF	Darlington	5
2SD2083	120	120	25	120	TO-3P	Darlington	1
2SD2141	380±50	380±50	6	35	TO-220F	Darlington	4
2SD2389	160	150	8	80	TO-3P	Darlington	1
2SD2390	160	150	10	100	TO-3P	Darlington	
2SD2401	160	150	12	150	MT-200 (2-screw mount)	Darlington	2
2SD2438	160	150	8	75	TO-3PF	Darlington	5
2SD2439	160	150	10	80	TO-3PF	Darlington	
2SD2557	200	200	5	70	TO-3P	Darlington	1
2SD2558	200	200	5	60	TO-3PF	Darlington	5
2SD2560	150	150	15	130	TO-3P	Darlington	1
2SD2561	150	150	17	200	MT-200 (2-screw mount)	Darlington	2
2SD2562	150	150	15	85	TO-3PF	Darlington	5
2SD2589	110	110	6	50	TO-220	Darlington	3
2SD2641	110	110	6	60	TO-3P	Darlington	1
2SD2642	110	110	6	30	TO-220F	Darlington	4
2SD2643	110	110	6	60	TO-3PF	Darlington	5

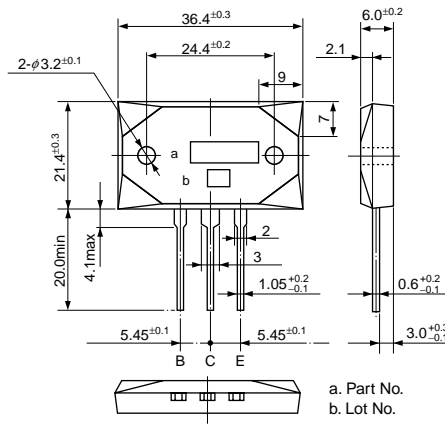
External Dimensions

• No. 1 (TO-3P)



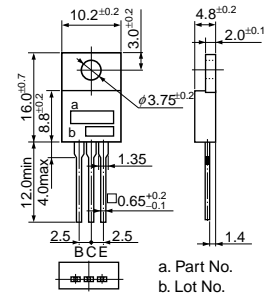
a. Part No.
b. Lot No.

• No. 2 (MT-200)



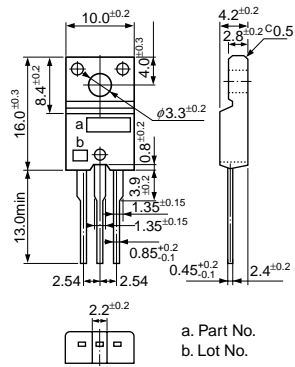
a. Part No.
b. Lot No.

• No. 3 (TO-220)



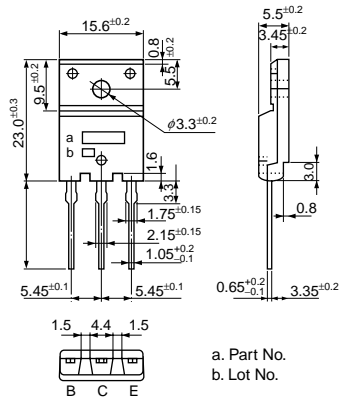
a. Part No.
b. Lot No.

• No. 4 (TO-220F)



a. Part No.
b. Lot No.

• No. 5 (TO-3PF)



a. Part No.
b. Lot No.

(unit: mm)