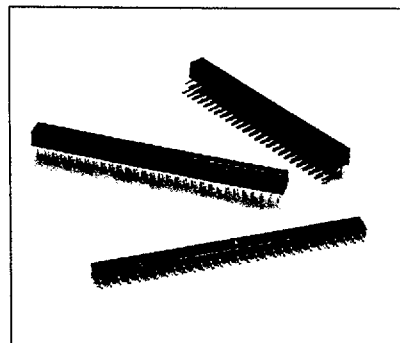


.079" (2.00mm) P.C.B SOCKET



SPECIFICATION

- * Current Rating:
1 A
- * Withstanding Voltage:
500 VAC (1 min.)
- * Insulation Resistance:
1000 MΩ min.
- * Contact Resistance:
20 mΩ max.
- * Operating Temperature:
-40°C to +85°C

MATERIAL

- * Contact: Phosphor Bronze
- * Insulator: PBT & 30% G. F.
- * Plated: Tin or Gold

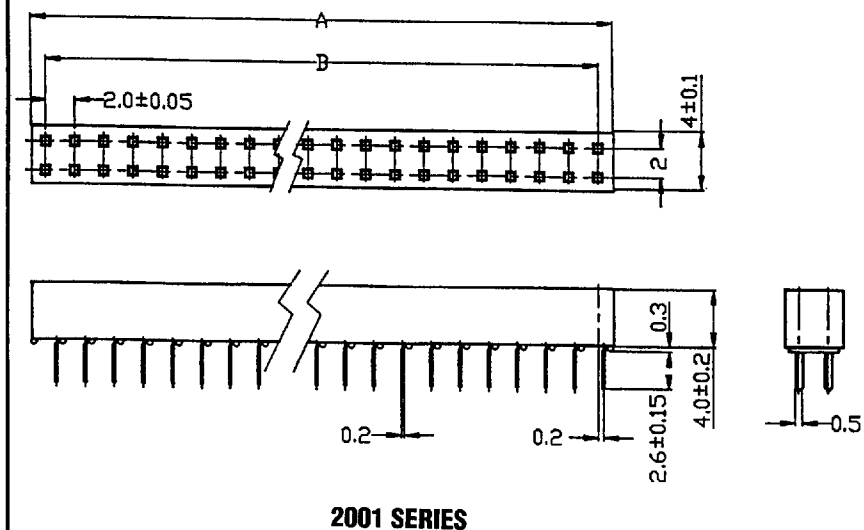
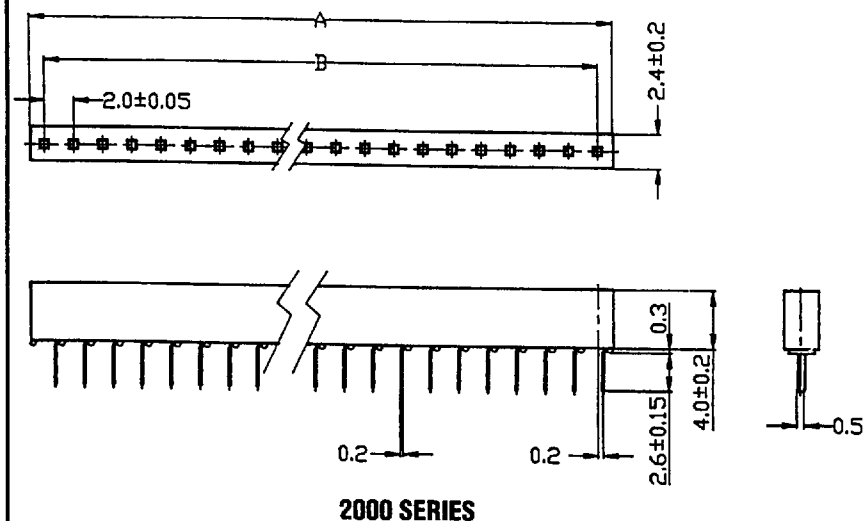
ORDER INFORMATION

PHF- XXXX - XX - X

Series
2000
2001

Plated
1: Tin
2: Gold

No. of Contact
2 - 80



POS	2 To 40/4 To 80
A	2.00*Position No.
B	2.00*Position No.-2.00

Specifications are subject to change without notice