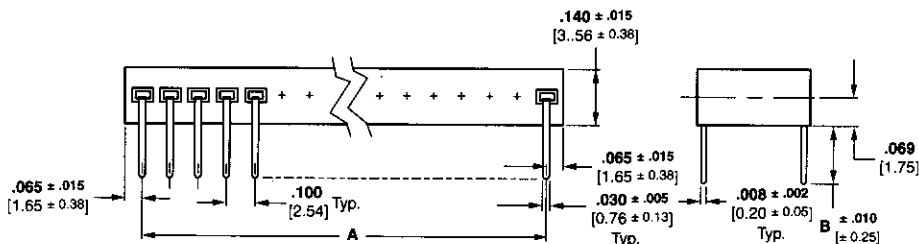
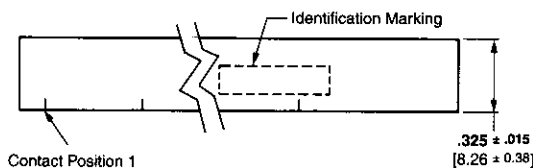


Receptacle Assemblies, Single Row

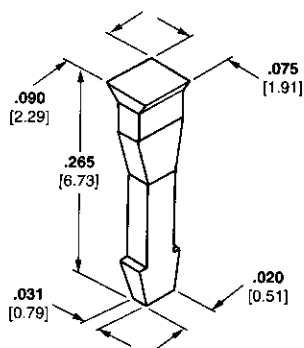
Material and Finish:

Housing — In accordance with MIL-C-55302 or MIL-M-24519 type GST-40F

Contacts — In accordance with MIL-C-55302



No. of Pos.	Dimensions		Board Thickness	Military Part No M55302/127-	AMP Part No.
	A	B			
2	.100 2.54	.175 4.45	.125 3.18	023B	102275-1
3	.200 5.08	.175 4.45	.125 3.18	033B	102275-2
4	.300 7.62	.115 2.92	.062 1.57	041B	87968-3
		.175 4.45	.125 3.18	043B	102275-3
5	.400 10.16	.115 2.92	.062 1.57	051B	87968-4
		.175 4.45	.125 3.18	053B	102275-4
6	.500 12.70	.115 2.92	.062 1.57	061B	87968-5
		.175 4.45	.125 3.18	063B	102275-5
7	.600 15.24	.175 4.45	.125 3.18	073B	102275-6
8	.700 17.78	.175 4.45	.125 3.18	083B	102275-7
9	.800 20.32	.175 4.45	.125 3.18	093B	102275-8
10	.900 22.86	.115 2.92	.062 1.57	101B	87968-9
		.175 4.45	.125 3.18	103B	102275-9
11	1.000 25.40	.175 4.45	.125 3.18	113B	1-102275-0



Keying Plug —
Military Part Number
M55302/127-00KY
Part Number 102188-1