

RECEPTACLE PCB SOCKET ~ 1.27mm

1RPC SERIES

MATERIAL

Insulator: Black PBT (UL 94V-0)
 Contact: Copper Alloy
 Contact Plating: Gold or Tin Over Nickel (see "Plating Option" below)

SPECIFICATIONS

Current Rating: 3A
 Insulator Resistance: 5000 MΩ Min
 Contact Resistance: 20 mΩ Max
 Voltage Rating: 500V RMS
 Operating Temperature: -55°C - +105°C

FEATURES

- High density 1.27mm pitch is suitable for devices which require small and light internal parts
- Straight, single row illustrated; for other versions, please consult factory
- High reliability contact structure provides normal-force after repeated cycles
- For other receptacle PCB socket requirements, see **RPC** and **2RPC Series**
- **Mating Series: 1PH**



HOW TO ORDER:

□ 1 - □ S - □ - □
 1 2 3 4 5 6

1. SERIES
 1RPC = Receptacle PCB Socket, 1.27mm

4. STYLE
 S = Straight

2. ROW
 1 = Single Row

5. PROFILE OPTION
 A = 4.6mm
 B = 8.5mm

3. POSITION
 01 through 40

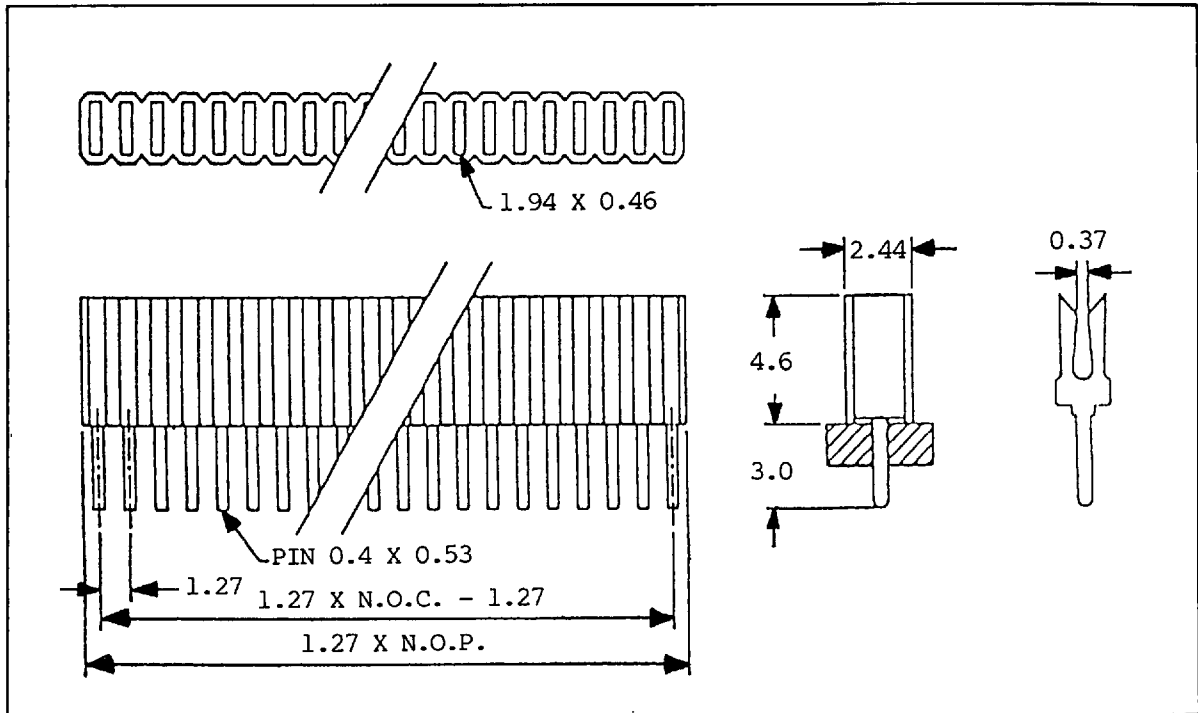
6. PLATING OPTION
 T = Tin
 G = Full Gold Flash
 G15 = Full Gold, 15μ"
 G30 = Full Gold, 30μ"
 SG = Selective Gold Flash
 SG15 = Selective Gold, 15μ"
 SG30 = Selective Gold, 30μ"

RECEPTACLE PCB SOCKET ~ 1.27mm

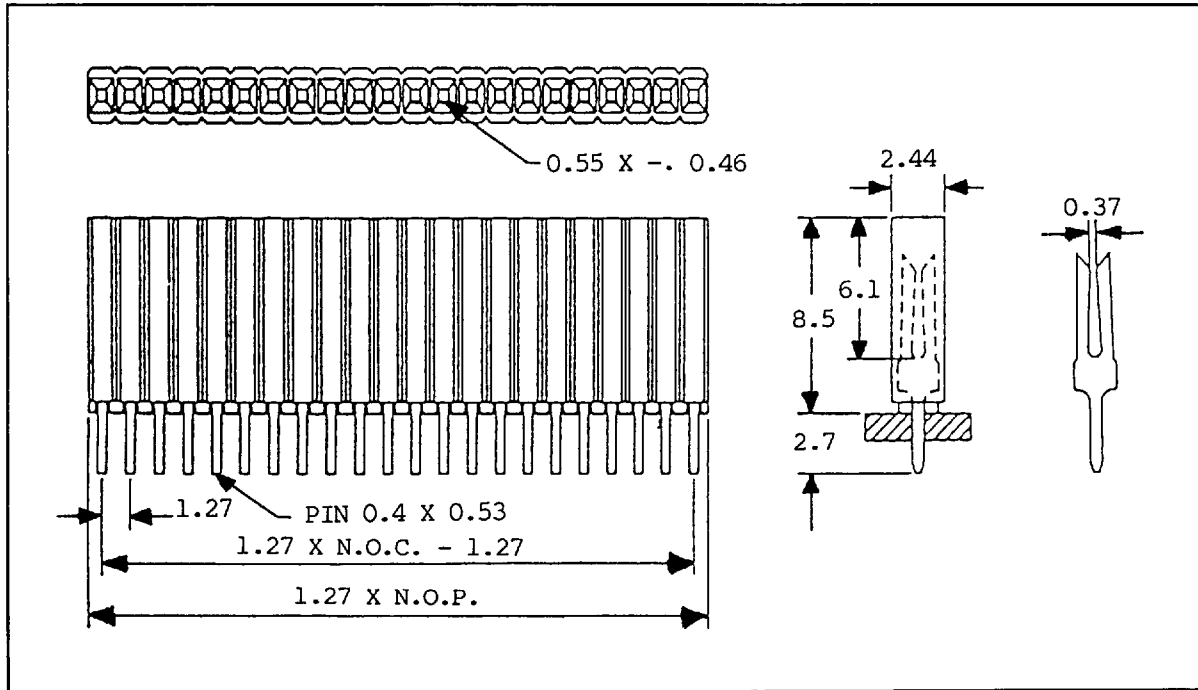
1RPC SERIES

SPECIFICATIONS:

A
(4.6mm)



B
(8.5mm)



*NOTE: N.O.P. = Number of Positions
N.O.C. = Number of Contacts*

ENGINEERS: For detailed Data Sheets, including *tolerances*, see pages 157 & 159 or call us!