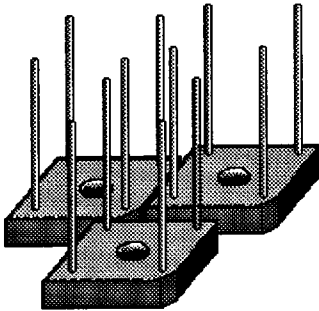


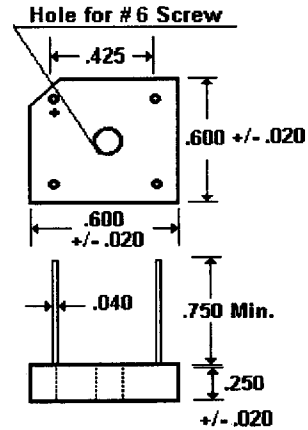
Description

KBPC6 Series



Mechanical Dimensions

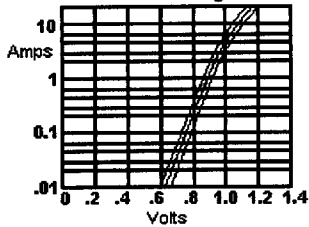
KBPC6 Series



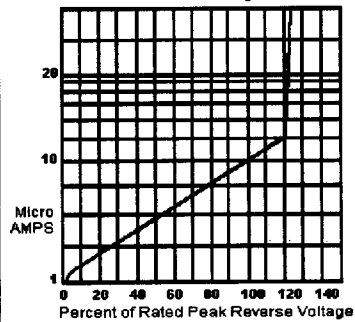
Features

- O Small Size
- O Low Forward Voltage Drop
- O UL Recognition Available
- O 150 Amp Surge Overload Rating

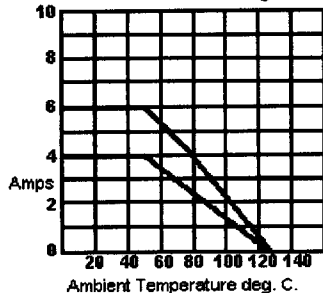
Typical Forward Characteristics
 Instantaneous Current Vs.
 Forward Voltage



Typical Reverse Characteristics
 Instantaneous Reverse Current
 Vs. Peak Voltage



Forward Current Derating Curve



Non Repetitive
 Surge Current

