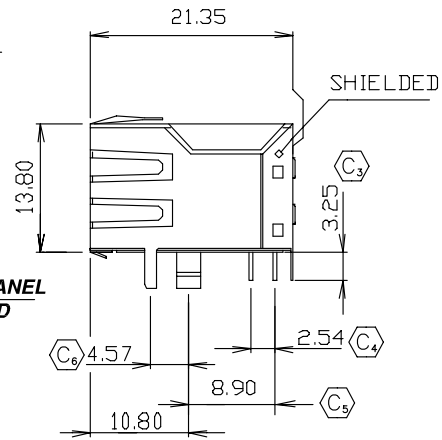
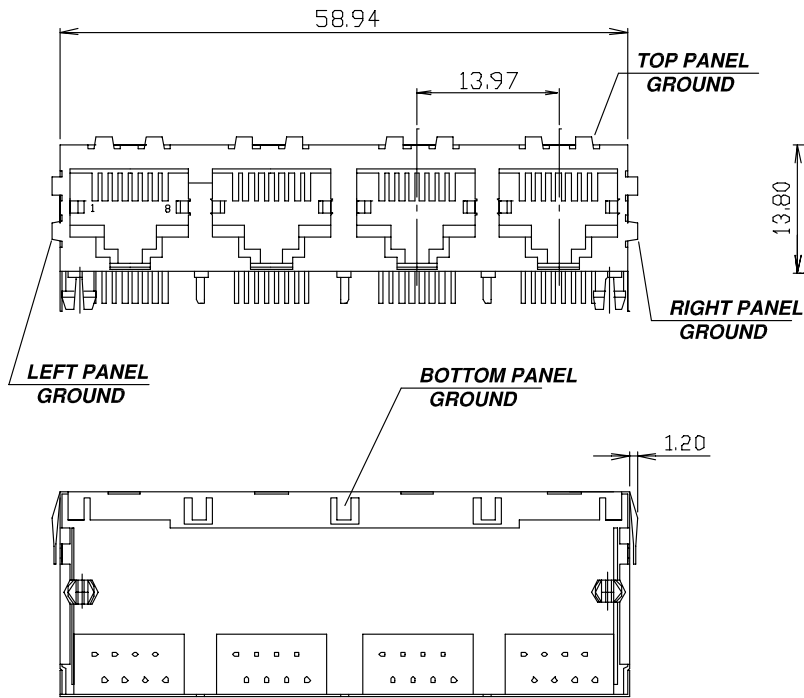


REVISION A



MODM-A-04-8P8C-X-S-PG

TYPE  
-A

PORTS  
-04

POSITIONS/CONTACTS  
-8P8C: 8 Pos/8 Con

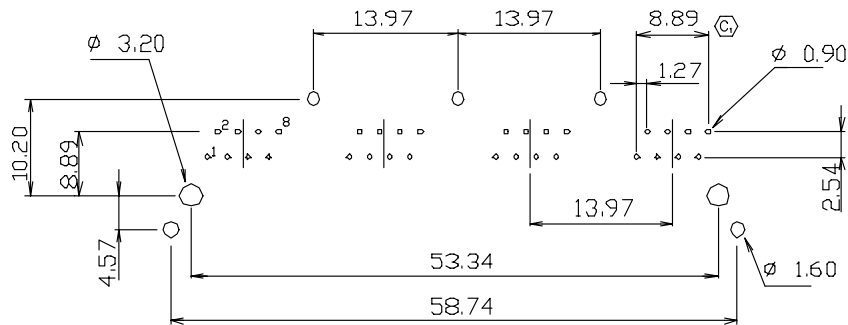
PLATING  
-L: .000015" Au  
-S: .000030" Au  
-E: .000050" Au

SHIELD  
-S

PANEL GROUND  
-PG  
(REQUIRES -S AND -02, -04, OR -08 PORTS)

NOTES:

1. (C) REPRESENTS A CRITICAL DIMENSION



DO NOT SCALE FROM THIS PRINT

PCB LAYOUT

<p>UNLESS OTHERWISE SPECIFIED, DIMENSIONS ARE IN MM. TOLERANCES ARE:</p> <p>DECIMALS    ANGLES X.XX±0.25    ±3 X.XXX±0.13 X.XXXX±0.05</p>	<p><b>PROPRIETARY NOTE</b> THIS DOCUMENT CONTAINS INFORMATION CONFIDENTIAL AND PROPRIETARY TO SAMTEC INC. AND SHALL NOT BE REPRODUCED OR TRANSFERRED TO OTHER DOCUMENTS OR DISCLOSED TO OTHERS OR USED FOR ANY PURPOSE OTHER THAN THAT FOR WHICH IT WAS OBTAINED WITHOUT THE EXPRESSED WRITTEN CONSENT OF SAMTEC INC.</p>	<p><b>samtec</b></p> <p>520 PARK EAST BLVD. NEW ALBANY, IN 47150 (812) 944-6733 P.O. BOX 1147 TWX: 810-540-4085</p>
<p>DO NOT SCALE DRAWING INSULATOR: PBT 20% Glass Filled (UL 94V-0) Black CONTACT : Phosphor Bronze SHELL : Copper Alloy</p> <p>MAX FLASH ALLOWED: .051 MAX GATE VESTIGE: .051</p> <p>F:\DWG\misc\mktg</p>	<p>SHEET SCALE: 1:2</p>	<p>DESCRIPTION: 1x4 8 Position Side Entry Gang Jack</p> <p>DWG. NO. MODM-A-04-8P8C-X-S-PG</p> <p>BY: J.RILEY 10/31/2003 SHEET 1 OF 1</p>

CODE: 55322