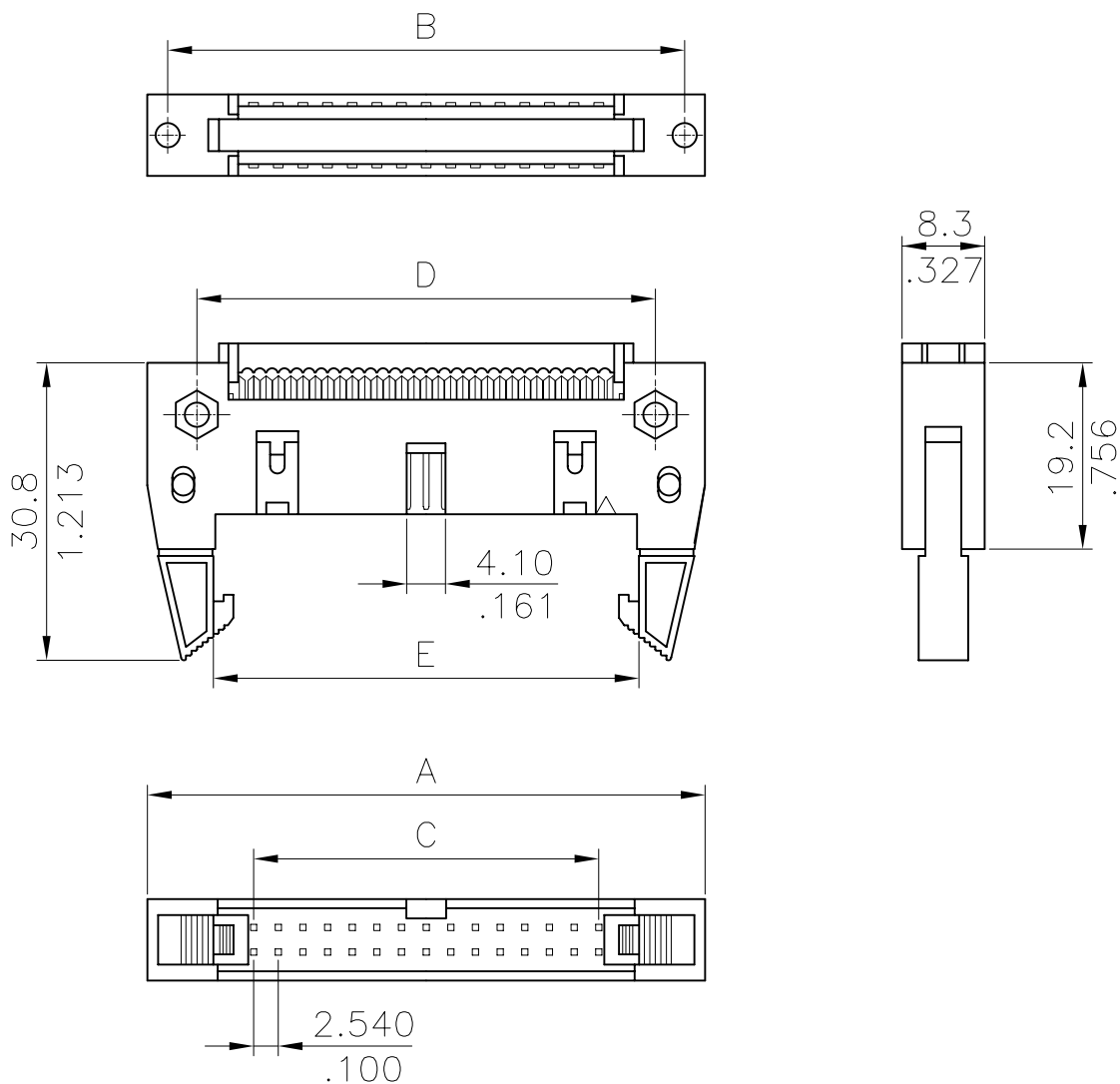
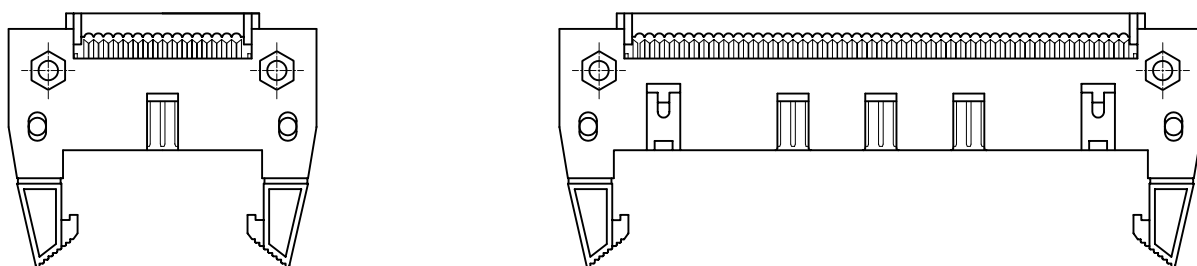



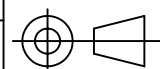
* For 20, 24, 26, 30, 34, 40 and 50 circuits



* For 10, 14 and 16 circuits

* For 60 and 64 circuits



E	E980355			 臺灣龍傑股份有限公司 LEOCO CORPORATION	APPROVED BY:	PART NO.:				
D	E970434				GENERAL TOLERANCE	CHECKED BY:	2675S***NOL			
C	E970409			X. ±	X' ± 2'	TITLE:				
B	E970399			.X ± $\frac{0.30}{.012}$.X' ±	DRAWING NO.:				
A	DWG REL.			.XX ± $\frac{0.20}{.008}$.XX' ±	267501S				
REV.	ECO. NO.	CHG	APPD.	.XXX ± $\frac{0.10}{.004}$.XXX' ±	 UNITS $\frac{\text{mm}}{\text{inch}}$	SCALE	SIZE	SHEET	REV.
							1:1	A4	1/2	E

Material:

Insulator: PBT UL94V-0

Contact: Brass

Ordering Information:

2675 S $\frac{**}{1}$ $\frac{*}{2}$ $\frac{N}{3}$ $\frac{OL}{4}$

1. No. of circuits:

2. Contact plating:

T=Tin plated 120?" min. over 30~50?" nickel overall

U=Gold flash over 30~50?" nickel overall

W=15?" gold plated selective over 30~50?" nickel overall

Z=30?" gold plated selective over 30~50?" nickel overall


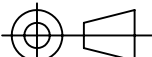
3. Ear options:

N=Without ear

4. Special options:

OL=Long latches(Mated connector with strain relief)

Circuits	Dim.A	Dim.B	Dim.C	Dim.D	Dim.E
10	32.0(1.260)	25.40(1.000)	10.16(.400)	21.84(.860)	17.96(.707)
14	37.1(1.461)	30.48(1.200)	15.24(.600)	26.92(1.060)	23.04(.907)
16	39.6(1.559)	33.02(1.300)	17.78(.700)	29.46(1.160)	25.58(1.007)
20	44.7(1.760)	38.10(1.500)	22.86(.900)	34.54(1.360)	30.66(1.207)
24	49.8(1.961)	43.18(1.700)	27.94(1.100)	39.62(1.560)	35.74(1.407)
26	52.2(2.055)	48.26(1.900)	30.48(1.200)	42.16(1.660)	38.28(1.507)
30	57.5(2.264)	53.26(2.097)	35.56(1.400)	46.74(1.840)	43.58(1.716)
34	62.5(2.461)	58.42(2.300)	40.64(1.600)	52.32(2.060)	48.44(1.907)
40	70.2(2.764)	66.04(2.600)	48.26(1.900)	59.94(2.360)	56.60(2.228)
50	82.7(3.256)	78.74(3.100)	60.96(2.400)	72.64(2.860)	68.76(2.707)
60	95.7(3.768)	91.44(3.600)	73.66(2.900)	85.34(3.360)	81.45(3.207)
64	100.7(3.965)	96.52(3.800)	78.74(3.100)	90.42(3.560)	86.54(3.407)

E	E980355			 臺灣龍傑股份有限公司 LEOCO CORPORATION	APPROVED BY:	PART NO.:			
D	E970434				GENERAL TOLERANCE	CHECKED BY:	TITLE:		
C	E970409			X. ± X' ± 2'	DRAW BY:		DRAWING NO.:		
B	E970399			.X ± $\frac{0.30}{.012}$.X' ±		267501S			
A	DWG REL.			.XX ± $\frac{0.20}{.008}$.XX' ±	 UNITS mm / inch	SCALE	SIZE	SHEET	REV.
REV.	ECO. NO.	CHG	APPD.	.XXX ± $\frac{0.10}{.004}$.XXX' ±		1:1	A4	2/2	E