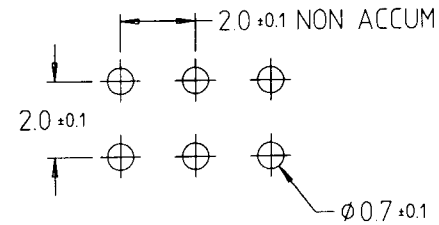
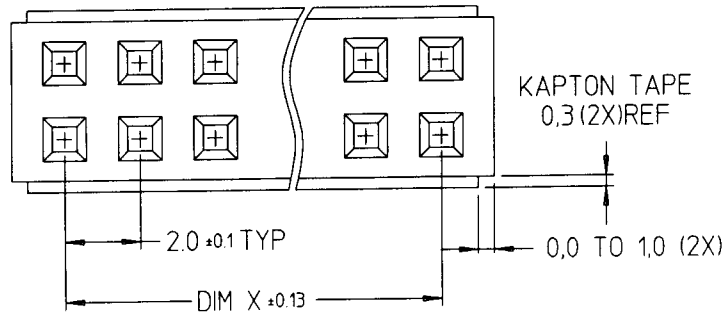
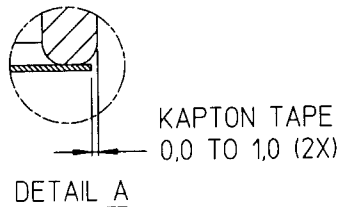
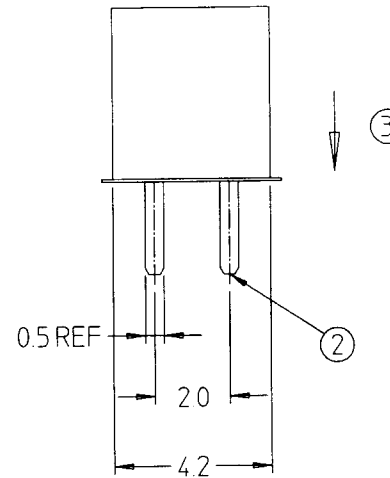
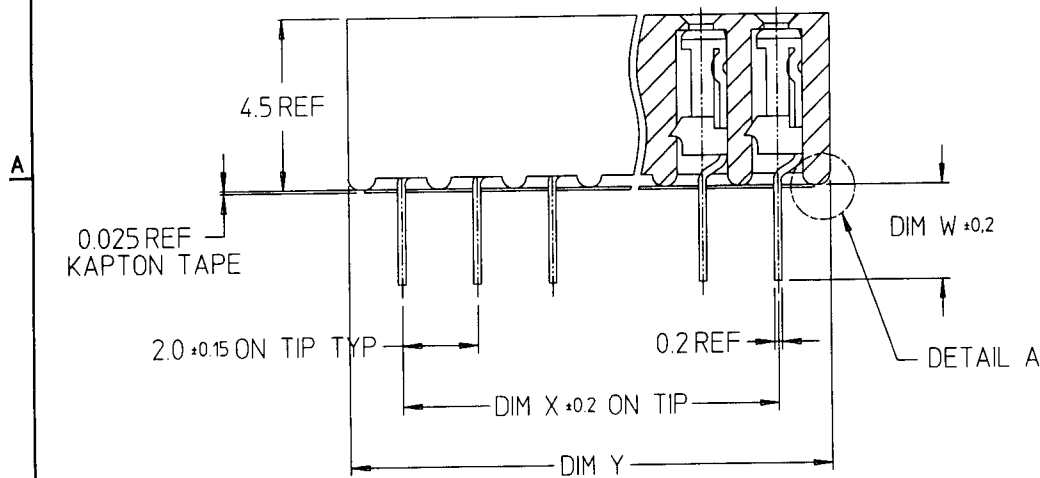


PRODUCT NO
SEE TABLE

REV	DESCRIPTION	REV'D BY	DATE
A	ECR S40118 RLSD	BS LOW	18MAY94
B	ECR S80162	BS LOW	30JUN98
C	ECR S80231	BS LOW	26OCT98
D	ECR S00100	SC THAM	30MAY00



RECOMMENDED MOUNTING HOLE LAYOUT



CUSTOMER COPY

GEN. TOLERANCES		DO NOT SCALE DWG MM		
REFER TO NOTE 4				
		NAME	DATE	DESCRIPTION MINITEK II VCC HTP (WITH KAPTON TAPE)
DRAWN	JANET	30MAY00		PRODUCT NO. 92878
CHECKED	<i>llh</i>	1/6/00		SCALE
APPROVED	<i>guy</i>	2/6/00		SHT 1 OF 2


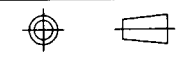
PRODUCT NO	POS	DIM X	DIM Y	DIM W	PLATING	HSG COLOR
92878-001	2X15	28	30.8	1,78	0.76um MIN Au	BEIGE
002	2X15	28	30.8	2,5	0.76um MIN Au	BEIGE
003	2X2	2	4.8	2,5	0.76um MIN Au	BEIGE
004	2X3	4	6.8	2,5	0.76um MIN Au	BEIGE
005	2X4	6	8.8	2,5	0.76um MIN Au	BEIGE
006	2X5	8	10.8	2,5	0.76um MIN Au	BEIGE
007	2X6	10	12.8	2,5	0.76um MIN Au	BEIGE
008	2X7	12	14.8	2,5	0.76um MIN Au	BEIGE
009	2X8	14	16.8	2,5	0.76um MIN Au	BEIGE
010	2X9	16	18.8	2,5	0.76um MIN Au	BEIGE
011	2X10	18	20.8	2,5	0.76um MIN Au	BEIGE
012	2X11	20	22.8	2,5	0.76um MIN Au	BEIGE
013	2X12	22	24.8	2,5	0.76um MIN Au	BEIGE
014	2X13	24	26.8	2,5	0.76um MIN Au	BEIGE
015	2X14	26	28.8	2,5	0.76um MIN Au	BEIGE
016	2X20	38	40.8	2,5	0.76um MIN Au	BEIGE
017	2X2	2	4.8	1,27	0.76um MIN Au	BEIGE
018	UNASSIGNED					
019	2X16	30	32.8	2,5	0.76um MIN Au	BEIGE
020	2X17	32	34.8	2,5	0.76um MIN Au	BEIGE
021	2X18	34	36.8	2,5	0.76um MIN Au	BEIGE

NOTES

1 MATERIAL
 BODY : GLASS FILLED PCT UL 94V-0. REFER TO TABLE FOR COLOR.
 TERMINAL : PHOSPHOR BRONZE
 PLATING : SELECTIVE GOLD PLATED IN CONTACT AREA (REFER TO TABLE)
 TIN/LEAD IN SOLDER TAIL

- ② CUT SURFACE IS UNPLATED
- ③ TERMINAL RETENTION FORCE 0.5 Kg MIN
- 4 TOLERANCE UNLESS OTHERWISE NOTED ±0,25

CUSTOMER COPY

GEN. TOLERANCES		DO NOT SCALE DWG. MM		 FCI
REFER TO NOTE 4				
		NAME	DATE	DESCRIPTION MINITEK II VCC HTP (WITH KAPTON TAPE)
DRAWN	JANET		30MAY00	
CHECKED	<i>Jan</i>		11/6/00	
APPROVED	<i>Jan</i>		2/6/00	PRODUCT NO. 92878
				SCALE SHT 2 OF 2