

Features

- Compatible with multiple transceiver brands, see below*
- Cable interface for isolation and low common mode emissions
- 155ATM, 100Base-TX and TP-FDDI applications
- Meets all IEEE802.3 and ANSI X3.263 standards

Applications

- LAN (Local Area Network)
- Ethernet

PT61003 LAN 10Base-T/100Base-TX High Speed

Electrical Specifications @ 25 °C

Turns Ratio	
TX	1:1
RX	1:1
OCL @ 8mADC μ H min.	350
Rise & Fall Time (ns max.)	2.5
Insertion Loss (dB max.)	
1 to 125 MHz	-1.0
Cross Talk (dB min.)	
1 to 60 MHz	-40
60 to 100 MHz	-30
Hipot 60 sec. (Vrms)	1500
Return Loss TX (dB min.)	
1 to 60 MHz	-18
60 to 100 MHz	-12
Return Loss RX (dB min.)	
1 to 60 MHz	-18
60 to 100 MHz	-12
Diff to Com Mode Rejection	
TX (dB min.)	
1 to 60 MHz	-40
60 to 100 MHz	-35
RX (dB min.)	
1 to 60 MHz	-40
60 to 100 MHz	-35
Operating Temperature	0 °C to +70 °C

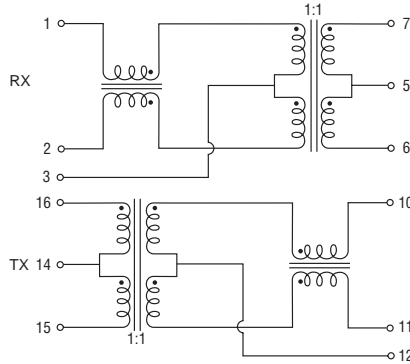
Other OCL specifications available on request.

Packaging Specifications

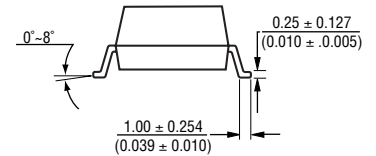
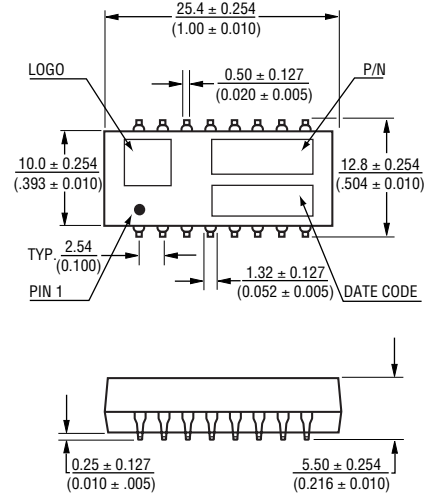
Tube	20 pcs./tube
Tape & Reel*	400 pcs./reel

*Optional "E" suffix at end of part number designates tape & reel packaging - e.g. PT61003E.

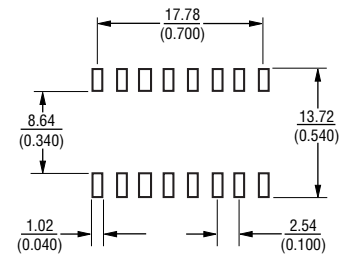
Electrical Schematic



Product Dimensions



Recommended Layout



DIMENSIONS: $\frac{\text{MILLIMETERS}}{\text{(INCHES)}}$

*INTEL, National, Level One, ICS, Dendin, TDK, Broadcom, Seeg, & Lucent transceivers.

Specifications are subject to change without notice. Customers should verify actual device performance in their specific applications.