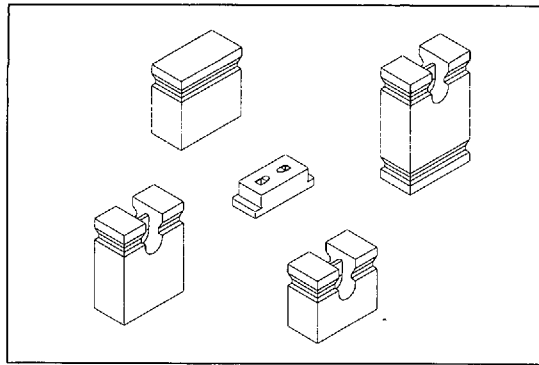


2006 & 2106 SERIES

MINI JUMPER 2.54mm(0.100") & 2.0mm(0.079")



Features:

- * Available in open and close type.
- * Various color available.
- * 2006 has four different design options.
- * 2106 has three different design options.

2006 Mates with: 2011,2012,2013,2015.

2106 Mates with: 2111,2112,2113,2114,2115.

Material:

Housing: 30% Glass filled PBT UL94V-0.

Contacts: Phosphor Bronze.

Plating: Gold plated: $5\mu''$ over $50\mu''$ nickel.
Tin plated: $150\mu''$ over $70\mu''$ nickel.

Electrical Characteristics:

Current Rating: 1 AMP

Insulator Resistance: $5000M \Omega$ min. at DC 500V

Contact Resistance: $20m \Omega$ max. at DC 100mA

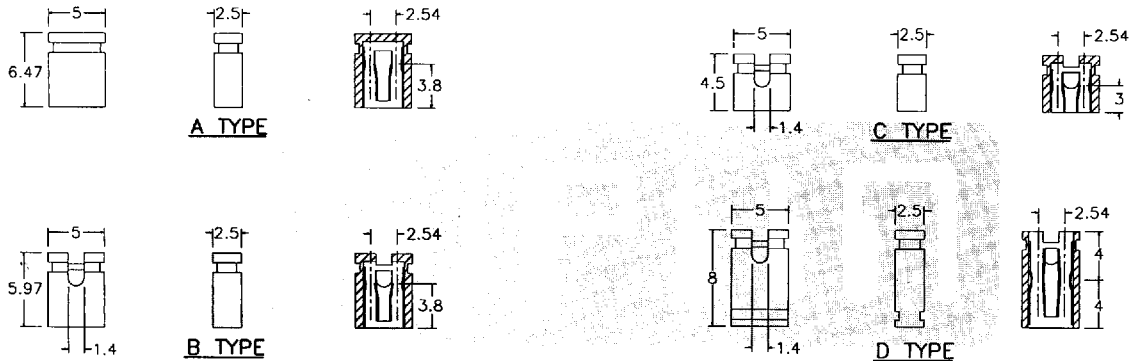
Operating Temperature: $-55^{\circ}C \sim +105^{\circ}C$

Mechanical Characteristics:

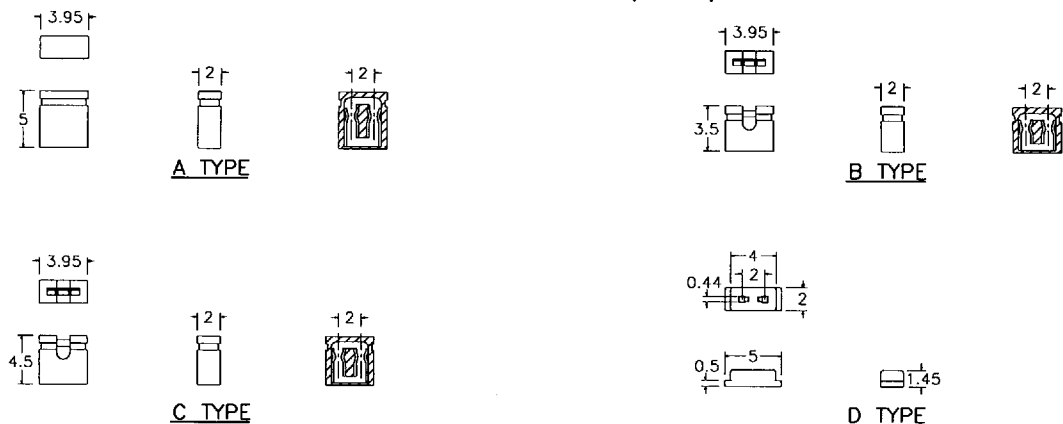
Insertion Force: 140g avg. (0.64mm sq. pin)

Withdrawal Force: 114g avg. (0.64mm sq. pin)

2006-Series 2.54mm(0.100")



2106-Series 2.0mm(0.079")



NOTE: Colors Available

Ordering information

2006-A

Series Design Options

2006 *A,B,C,D

2106 **A,B,C,D

BLK

BLK: Black Insulator

*** RED: Red Insulator

*** U: Blue Insulator

*Please refer to drawing and only apply to 2006

**Please refer to drawing and only apply to 2106.

*** Additional colors available and maybe subject to minimum quantity.