

Surface Mount
SMT

(1,27 mm) .050" HEADER FTR SERIES

SPECIFICATIONS

Materials:

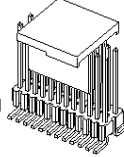
Insulator Material: Black Liquid Crystal Polymer or Nylon 4/6
Terminal Material: Phosphor Bronze
Current Rating: 1A
Operating Temp Range: -65°C to +105°C with Tin; -65°C to +125°C with Gold Plating:
 Au or Sn over 50µ" (1,27µm) Ni



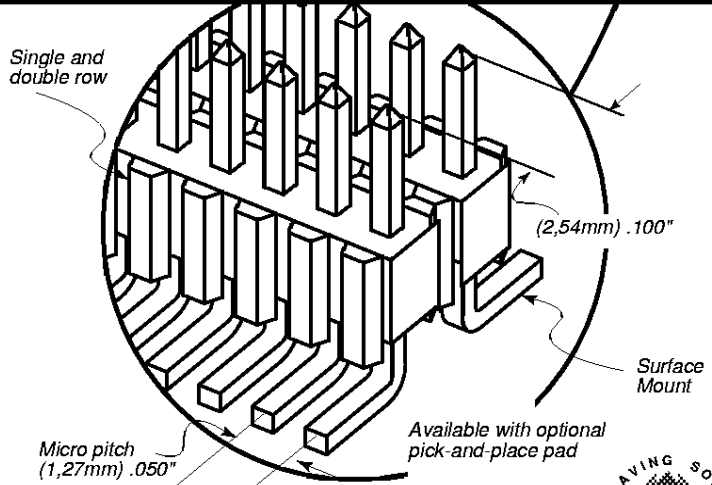
Mates with:
RSM, SMS, SLM

OPTIONS

-P OPTION



Single and double row



(2,54mm) .100"

Surface Mount

Micro pitch (1,27mm) .050"

Available with optional pick-and-place pad



Important Note: Style -02 with -S plating should not be mated with SLM

Note: Some sizes, styles and options are non-standard, non-returnable.

FTR - **1** NO. PINS PER ROW - **LEAD STYLE** - **PLATING OPTION** - **ROW OPTION** - **OPTION**

02 thru 40

Specify LEAD STYLE from chart

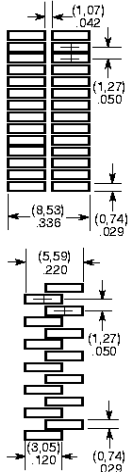
- G = 10µ (0,25µm) Gold post Gold flash Ta
- S = 30µ (0,76µm) Gold post .50µ" (3,8µm) Tin Ta
- T = 150µ (3,81µm) Tin

- S = Single Row
- D = Double Row

- "XXX" = Polarized
- A = Alignment Pin (5 positions minimum -D only) (Metal or plastic at Samtec discretion)
- LC = Locking Clip (6 positions minimum -D only)
- P = Plastic Pick & Place Pad (-D= 5 positions minimum) (-S= 9 positions minimum)

Processing:

Max Processing Temp: 230°C for 60 seconds
SMT Lead Coplanarity: 02-20 = (0,10mm) .004" max
 21-40 = (0,15mm) .006" max
Suggested Paste Thickness:
 For most applications add (0,05mm) .002" to max SMT lead coplanarity
Suggested PCB Layouts:
 Your specific layout may vary



LEAD STYLE	B
-01	(5,84) 230
-02	(2,54) 100
-03	(3,18) 125
-51	(4,83) 190
-52	(5,21) 205
-53	(7,24) 285
-54	(8,51) 335
-55	(9,91) 390
-56	(10,29) 405
-57	(10,92) 430