

Material:

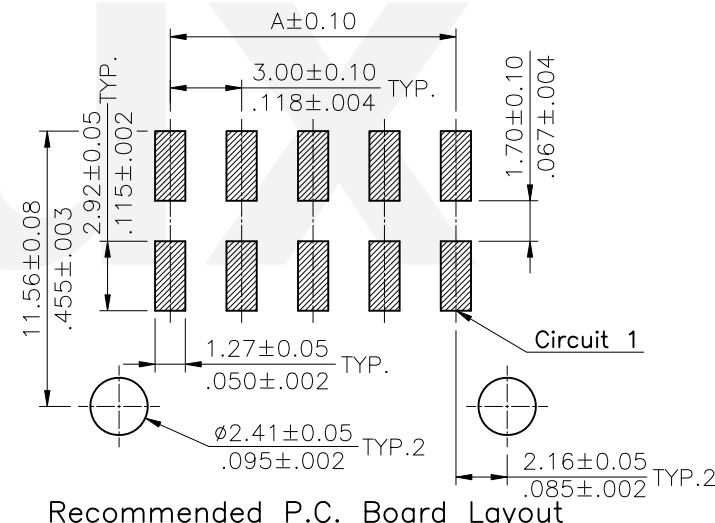
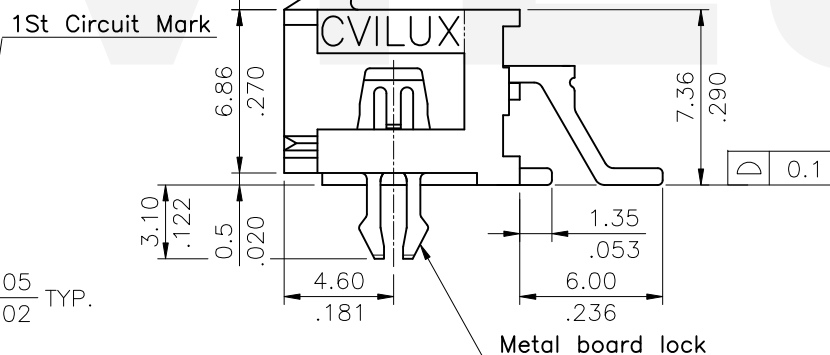
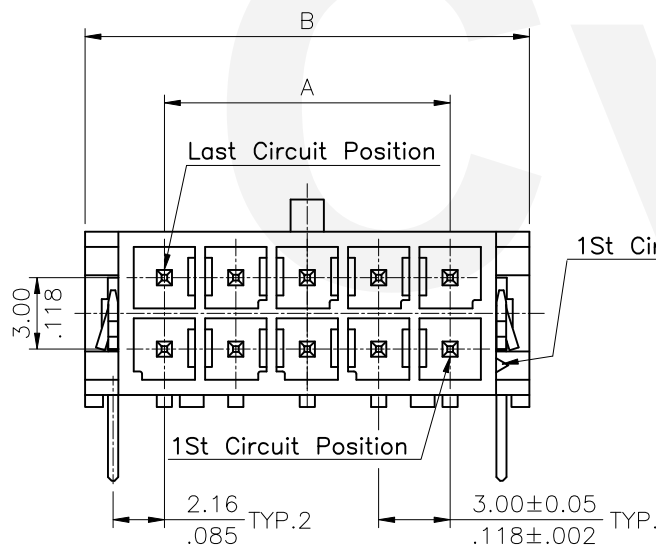
- △ \* Insulation: High Temperature Plastic  
Color Black
- \* Contact: Brass

CIRCUITS	DIM. A	DIM. B
2	—	6.7(.264)
4	3.00(.118)	9.7(.382)
6	6.00(.236)	12.7(.500)
8	9.00(.354)	15.7(.618)
10	12.00(.472)	18.7(.736)
12	15.00(.591)	21.7(.854)
14	18.00(.709)	24.7(.972)
16	21.00(.827)	27.7(1.091)
18	24.00(.945)	30.7(1.209)
20	27.00(1.063)	33.7(1.327)
22	30.00(1.181)	36.7(1.445)
24	33.00(1.299)	39.7(1.563)

Ordering Code:

CP35 \*\* P \* H S 0 -LF  
① ② ③ ④ ⑤ ⑥ ⑦ ⑧

- ① Series No.
- ② No. of Circuits: 02~24
- ③ Contact type: P= Plug
- ④ Contact plated:  
△ 1= Matte Tin Plated over Nickel  
A= Selective Gold Flash Plated over 1.27μm(50μ") Nickel  
B= Selective 0.38μm(15μ") Gold Plated over 1.27μm(50μ") Nickel
- ⑤ H= Right angle type
- ⑥ Mount type : S= SMT Type
- ⑦ Other options: 0= With metal board lock (Standard)
- ⑧ LF= For Lead Free IR Process



Lead Free Process

RoHS compliant

SYM	NAME	DATE	REVISIONS	APPROVED BY:	DATE	UNIT: mm / inch	TITLE: 3.00mm PITCH RIGHT ANGLE SMT TYPE POWER CONN.
△4	Michelle	11/12-19'	ECRB11905/ECNT119313				
△3	Sandy	2/3-12'	ECN12010	DRAWN BY: Michelle	11/19-19'	TOLERANCE UNLESS OTHERWISE SPECIFIED	
△2	Karen	4/16-10'	ECN10121	ENGINEER: Sun	11/19-19'	.X ± 0.30/.012 X' ± 1'	MATERIAL:
△1	Bill	08/30'07	ECN07357	CHECKED BY: Eisley	12/13-19'	.XX ± 0.20/.008 X' ±	FINISH:
				APPROVED BY: Eisley	12/13-19'	.XXX ± 0.10/.004 XX' ±	

CVILUX  
2019.12.20  
ISSUED



瀚荃股份有限公司  
CviLux Corporation

DRAWING NO.	CP3552SE	PART NO.	CP35**P*HS0-LF
SCALE	3 / 1	SHEET	1 OF 1