

ORDER INFORMATION:
 MCQ001-PXX02T-P
 MC: WAFER SERIES
 q: 4.20mm PITCH
 001: SERIES NO.
 P: PCB TYPE, STRAIGHT
 XX: NO. OF CONTACTS PER ROW
 02: DOUBLE ROW
 T: TERMINAL PLATING, TIN PLATING
 P: PLASTIC PEG

SYM	DISCRPTION	DATE	APPROVED	SYM	DISCRPTION	DATE	APPROVED
△	NOTE ROHS STANDARD	09/JUN/05	CONNIE	△			

****CUSTOMER DRAWING FOR REFERENCE ONLY, SAMPLES APPROVAL ARE REQUIRED!!**

MATERIAL

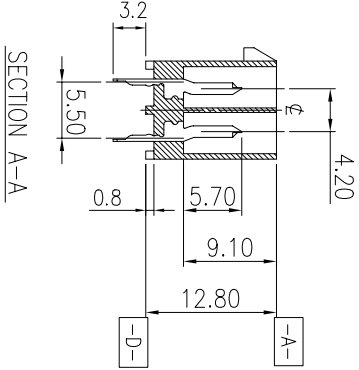
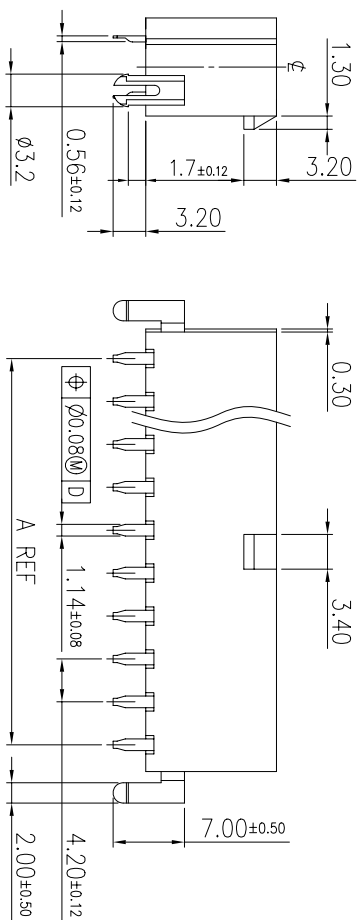
INSULATOR : GLASS-REINFORCED THERMOPLASTIC,
 P66 UL94V-0,COLOR-IVORT.
 P66 UL94V-2,COLOR-NATURAL,
 P66 UL94V-2,COLOR-GREEN,(H-TEMP)
 P66 UL94V-0,COLOR-BLACK,(H-TEMP)
 CONTACT : BRASS
 PLATING : TIN PLATED 120" MIN OVER
 30~50" NICKEL OVERALL.

ELECTRICAL
 VOLTAGE RATING : 250 VAC RMS.
 CURRENT RATING : 9 AMP.
 DIELECTRIC WITHSTANDING VOLTAGE : 1500 VAC RMS
 FOR 1 MINUTE.

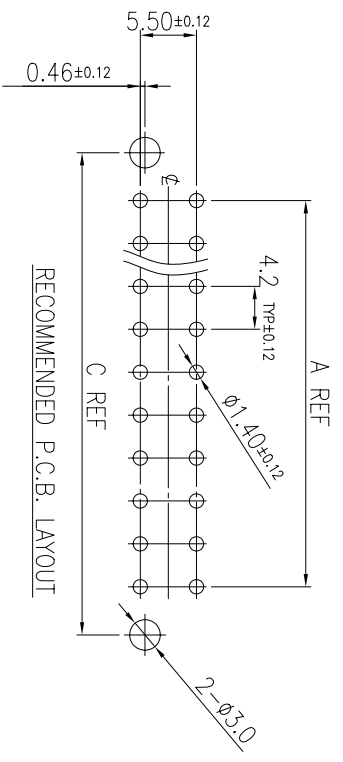
INSULATION RESISTANCE : 1000 MΩ MIN.
 CONTACT RESISTANCE : 20 MΩ MAX.

MECHANICAL
 RETENTION FORCE : 3.2 Kgf MIN. PER CONTACT.
 INSERTION FORCE : 450 GRAMS MAX. PER CONTACT.
 WITHDRAWAL FORCE : 150 GRAMS MIN. PER CONTACT.

ENVIRONMENTAL
 TEMPERATURE RANGE : -25°C TO +85°C



PART NO.	CIRCUITS	DIMENSION		
		A	B	C
MCQ001-P0102T-P	2	5.40	9.40	
MCQ001-P0202T-P	4	4.20	9.60	13.60
MCQ001-P0302T-P	6	8.40	13.80	17.80
MCQ001-P0402T-P	8	12.60	18.00	22.00
MCQ001-P0502T-P	10	16.80	22.20	26.20
MCQ001-P0602T-P	12	21.00	26.40	30.40
MCQ001-P0702T-P	14	25.20	30.60	34.60
MCQ001-P0802T-P	16	29.40	34.80	38.80
MCQ001-P0902T-P	18	33.60	39.00	43.00
MCQ001-P1002T-P	20	37.80	43.20	47.20
MCQ001-P1102T-P	22	42.00	47.40	51.40
MCQ001-P1202T-P	24	46.20	51.60	55.60



MATING		HOUSING		TERMINAL	
TOLERANCES UNLESS OTHERWISE SPECIFIED	±0.25	SIGNATURES	DATE	MODEL	
SYMBOL	UNIT	SCALE	CHECKED	ZOLA	APPROVALS
△	mm	2/1	21/APR/03	MINI-FIT POWER CONNECTOR	NO. MCQ001-P__02T-P

MMT CORPORATION