

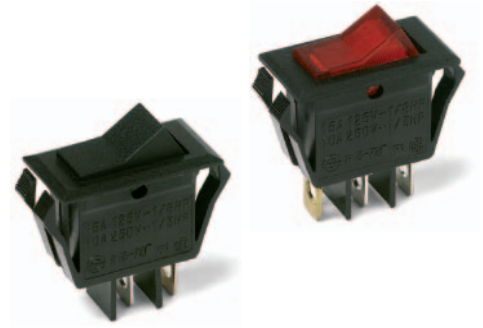
# CL Series Single Pole Power Rocker Switches

## Features/Benefits

- Illuminated versions available
- Positive detent
- Snap-in mounting

## Typical Applications

- Floor care products
- Power outlet strips
- HVAC units
- RoHS compliant



## Specifications

CONTACT RATING:  
 16 AMPS @ 125 VAC, 1/3 HP;  
 10 AMPS @ 250 VAC, 1/2 HP.  
 ELECTRICAL LIFE: 10,000 make and break cycles at full load.  
 INSULATION RESISTANCE:  $10^8 \Omega$  min.  
 DIELECTRIC STRENGTH: 1,500 VRMS @ sea level.  
 OPERATING TEMPERATURE: -20°C to +80°C

## Materials

HOUSING AND ACTUATOR: 6/6 nylon (UL94V-2), black, matte finish.  
 ILLUMINATED ACTUATOR: Polycarbonate, matte finish.  
 CENTER CONTACTS: Silver plated, copper alloy.  
 END CONTACTS: Silver plated.  
 ALL TERMINALS: Silver plated, copper alloy.

**NOTE:** Specifications and materials listed above are for switches with standard options. For information on specific and custom switches, consult Customer Service Center.

## Build-A-Switch

To order, simply select desired option from each category and place in the appropriate box. Available options are shown and described on pages G-91 through G-93. For additional options not shown in catalog, consult Customer Service Center.

<div style="display: flex; justify-content: space-between; width: 100%;"> <div style="width: 20%; border: 1px solid black; height: 20px;"></div> <div style="width: 20%; border: 1px solid black; height: 20px;"></div> <div style="width: 20%; border: 1px solid black; height: 20px;"></div> <div style="width: 20%; border: 1px solid black; height: 20px;"></div> <div style="width: 20%; border: 1px solid black; height: 20px;"></div> <div style="width: 20%; border: 1px solid black; height: 20px;"></div> </div>		
<p><b>Switch Function</b></p> <p><b>CL101</b> SPDT On-None-On  <b>CL102</b> SPST On-None-Off  <b>CL12*</b> SPST On-None-Off</p> <p><b>Actuator</b></p> <p><b>J7</b> Rocker  <b>J9</b> Illuminated rocker</p>	<p><b>Actuator Color</b></p> <p><b>2</b> Black  <b>1</b> White  <b>3</b> Red  <b>R</b> Red, illuminated  <b>A</b> Amber, illuminated  <b>G</b> Green, illuminated</p> <p><b>Mounting Style/Color</b></p> <p><b>S2</b> Snap-in, black  <b>S1</b> Snap-in, white</p>	<p><b>Termination</b></p> <p><b>05</b> .250" quick connect</p> <p><b>Actuator Marking</b></p> <p><b>(NONE)</b> No marking  <b>D</b> ON-OFF  <b>H</b> "O I" - international ON-OFF  <b>P</b> "O -" international ON-OFF</p> <p><b>Contact Rating</b></p> <p><b>QA</b> Silver</p> <p><b>Lamp Rating</b></p> <p><b>(NONE)</b> No lamp  <b>7</b> 125 VAC neon  <b>8</b> 250 VAC neon</p>

\* CL12 - for switches with both marking and illumination

Rocker



G



Dimensions are shown: Inches (mm)  
 Specifications and dimensions subject to change

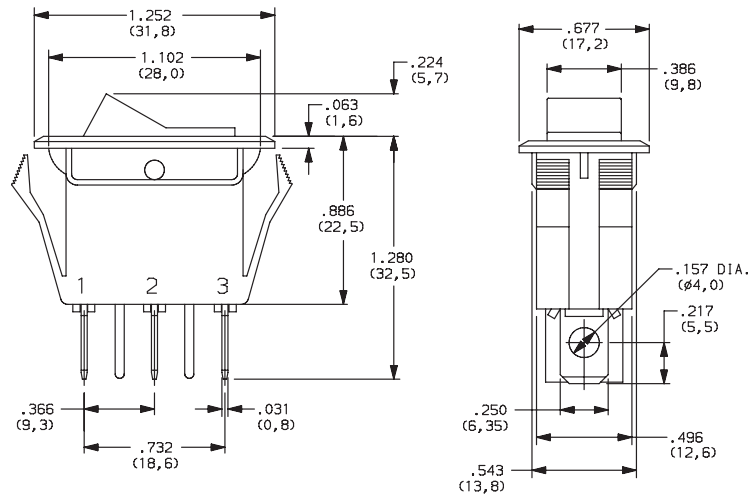
# CL Series Single Pole Power Rocker Switches

## SWITCH FUNCTION



NO. POLES	MODEL NO.	SWITCH FUNCTION			CONNECTED TERMINALS			SCHEMATIC
		Pos. 1	Pos. 2	Pos. 3	Pos. 1	Pos. 2	Pos. 3	
SP	<b>CL101</b>	ON	NONE	ON	2-1	N/A	2-3	
	<b>CL102</b>	ON	NONE	OFF	2-1		OPEN	 For Illuminated Version
	<b>CL12 *</b>	ON	NONE	OFF				

\* CL12 - for switches with both marking and illumination



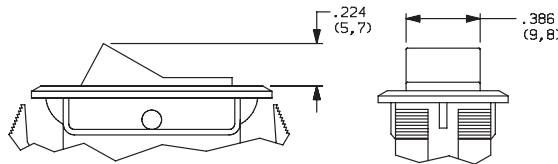
Shown in Pos. 1

## ACTUATOR



**J7** ROCKER

**J9** ILLUMINATED ROCKER



**NOTE:** J9 actuator available with CL102 & CL12 switch function only.

## ACTUATOR COLOR



OPTION CODE	ACTUATOR COLOR
<b>2</b>	BLACK
<b>1</b>	WHITE
<b>3</b>	RED
<b>R</b>	RED, ILLUMINATED
<b>A</b>	AMBER, ILLUMINATED
<b>G</b>	GREEN, ILLUMINATED



Third Angle  
Projection

Dimensions are shown: Inches (mm)  
Specifications and dimensions subject to change

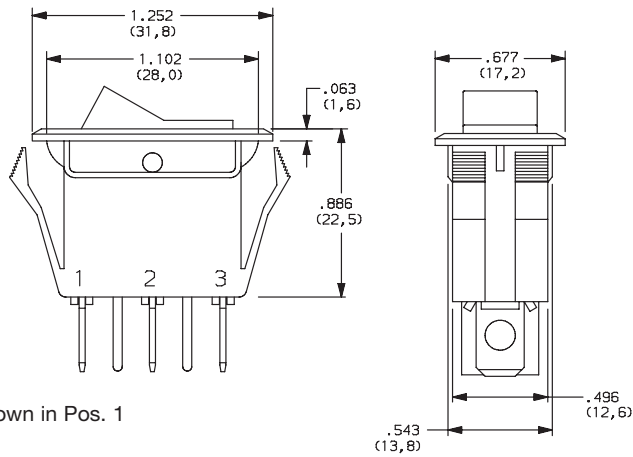


# CL Series Single Pole Power Rocker Switches

## MOUNTING STYLE/COLOR

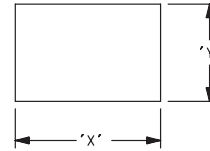
**S2** SNAP-IN, BLACK

**S1** SNAP-IN, WHITE



Shown in Pos. 1

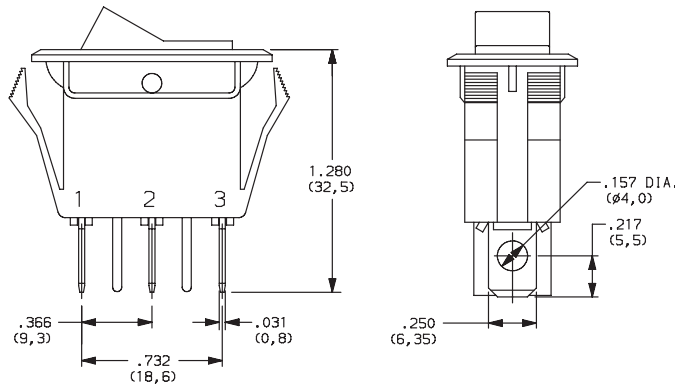
## PANEL MOUNTING



PANEL THICKNESS	"X"	"Y"
0.030-0.049 (0,75-1,25)	1.126-.004 (28,6-0,1)	0.551+.004 (14,0+0,1)
0.049-0.079 (1,25-2,0)	1.134-.004 (28,8-0,1)	0.551+.004 (14,0+0,1)
0.079-0.118 (2,0-3,0)	1.150-.004 (29,2-0,1)	0.551+.004 (14,0+0,1)

## TERMINATION

**05** .250" QUICK CONNECT



Shown in Pos. 1

## ACTUATOR MARKING

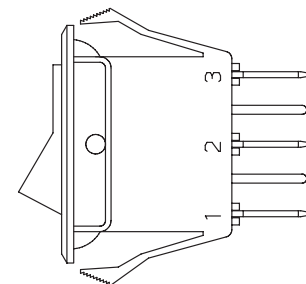
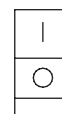
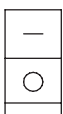
**NONE** NO MARKING

**D** ON-OFF



**H** 0 1

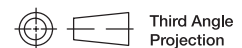
**P** 0 -



**NOTE:** Orientation of actuator marking and terminals.

Shown in Pos. 1

Rocker



Third Angle Projection

Dimensions are shown: Inches (mm)  
Specifications and dimensions subject to change



G

**C&K**

# CL Series Single Pole Power Rocker Switches

## CONTACT MATERIAL



OPTION CODE	CONTACT AND TERMINAL MATERIAL	RATINGS	
<b>QA</b>	SILVER	POWER	16 AMPS @ 125 VAC; 1/3 HP; 10 AMPS @ 250 VAC, 1/2 HP

\* Note: See Technical Data section of this catalog for RoHS compliant and compatible definitions and specifications.



## LAMP RATING



**(NONE)** NO LAMP

**7** 125 VAC 33kΩ NEON

**8** 250 VAC 150kΩ NEON

**NOTE:** Lamp rating for J9 actuator option.



Dimensions are shown: Inches (mm)  
Specifications and dimensions subject to change

