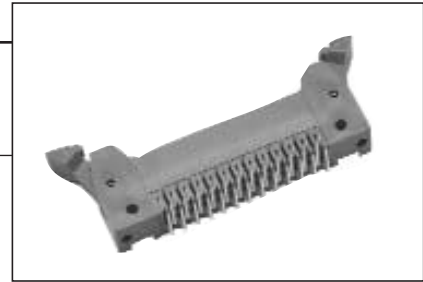
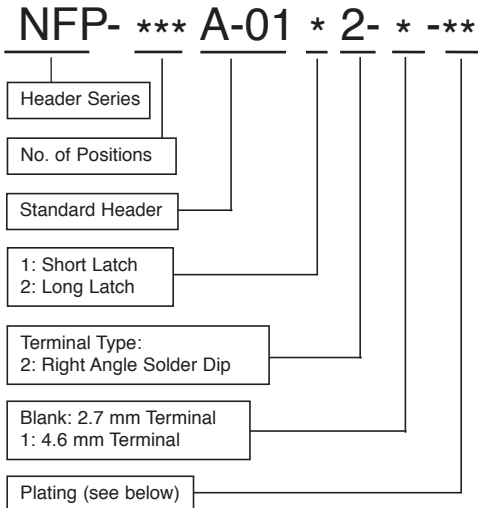


Latch Header (1.27mm, Right Angle, Solder Dip)

NFP SERIES



ORDERING INFORMATION



Characteristics

Current Rating:	0.5A
Insulation Resistance:	1,000M Minimum at 500 VDC
Withstanding Voltage:	500 VAC for 1 minute
Contact Resistance:	15m Max. at 10mA
Operating Temperature:	-20°C ~ +85°C

Material and Finish

Insulator:	High Temp Thermoplastic-UL94V-0
Contact:	Copper Alloy
Plating:	Mating Face Contacts: Au over Ni Terminals: Au or SnPb over Ni

Features

1. Right-angle terminals
2. Short or long latches
3. Long terminal available
4. Variety of plating options
5. Latches eject receptacle
6. Central polarizing key

TYPES OF PLATING

Plating Type	Under Plate	Mating Face	Terminals
AS	Ni 2.5 ~ 4.5 μm	Au 0.76μm Min.	SnPb 2.0 ~ 4.0μm
BS	Ni 2.5 ~ 4.5 μm	Au 0.30μm Min.	SnPb 2.0 ~ 4.0μm
AF	Ni 2.5 ~ 4.5 μm	Au 0.76μm Min.	Au 0.05μm Min.
BF	Ni 2.5 ~ 4.5 μm	Au 0.30μm Min.	Au 0.05μm Min.

CONNECTOR DIMENSIONS (reference only)

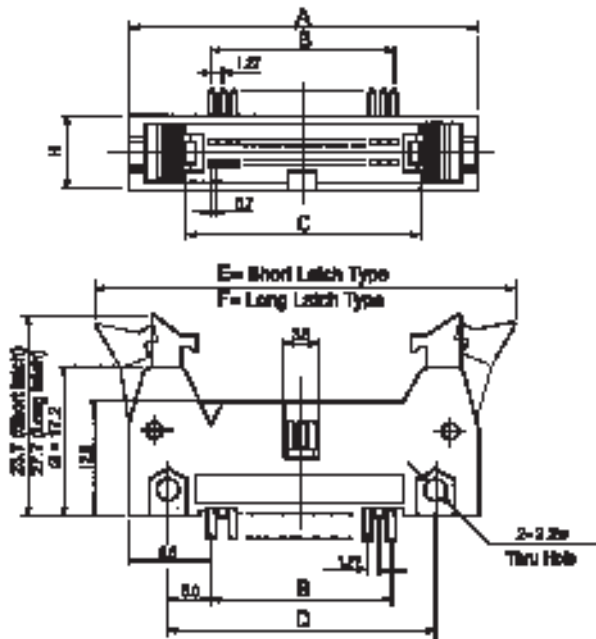
Part Number (□, †)	No. of Positions	Pitch	A	B	C	D	E	F	G	H
NFP-10A-01*2-**	10	1.27mm	24.26	5.08	11.58	15.08	38.20	40.20	17.20	8.30
NFP-16A-01*2-**	16	1.27mm	28.09	8.89	15.39	18.89	42.00	44.00	17.20	8.30
NFP-20A-01*2-**	20	1.27mm	30.63	11.43	17.93	21.43	44.60	46.60	17.20	8.30
NFP-26A-01*2-**	26	1.27mm	34.44	15.24	21.74	25.24	48.40	50.40	17.20	8.30
NFP-34A-01*2-**	34	1.27mm	39.52	20.32	26.82	30.32	53.50	55.50	17.20	8.30
NFP-40A-01*2-*.**	40	1.27mm	43.33	24.13	30.63	34.13	57.30	59.30	17.20	8.30
NFP-50A-01*2-*.**	50	1.27mm	49.68	30.48	36.98	40.48	63.60	65.60	17.20	8.30
NFP-60A-01*2-*.**	60	1.27mm	56.03	36.83	43.33	46.83	70.00	72.00	17.20	8.30
NFP-64A-01*2-*.**	64	1.27mm	58.57	39.37	45.87	49.37	72.50	74.50	17.20	8.30
NFP-80A-01*2-*.**	80	1.27mm	68.73	49.53	56.03	59.53	82.70	84.70	17.20	8.30
NFP-100A-01*2-*.**	100	1.27mm	81.43	62.23	68.73	72.23	95.40	97.40	17.20	8.30

- Short Latch
Positions 50, 60, 64, 80, 100 available in long terminals
- † Long Latch
Positions 40, 64, 80, 100 available in long terminals

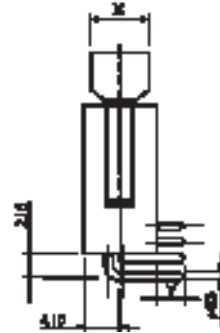
NFP SERIES

APPLICABLE DIMENSIONS *(reference only)*

Connector Outline Dimensions



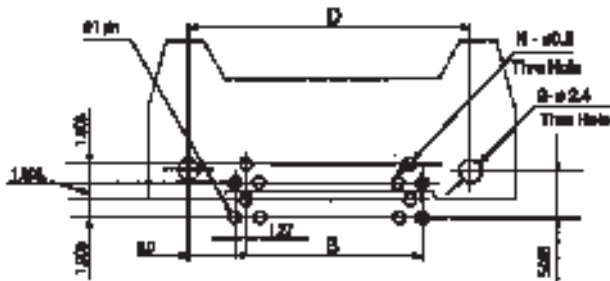
Contact Detail



X = 6.5 (Short latch type)
 4.0 (Long latch type)

Y = 2.7 (Short terminal length)
 4.6 (Long terminal length)

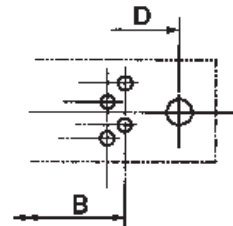
PCB Layout



Section A

Section B

10, 26, 34, 50 Contacts

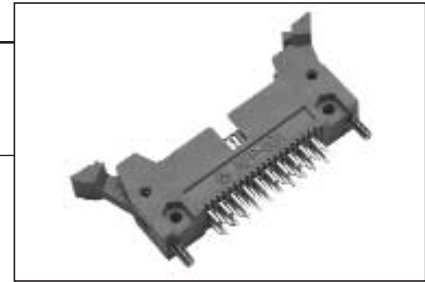


Note: Left half of this PCB layout is identical to Section A

16, 20, 40, 60, 64, 80, 100 Contacts

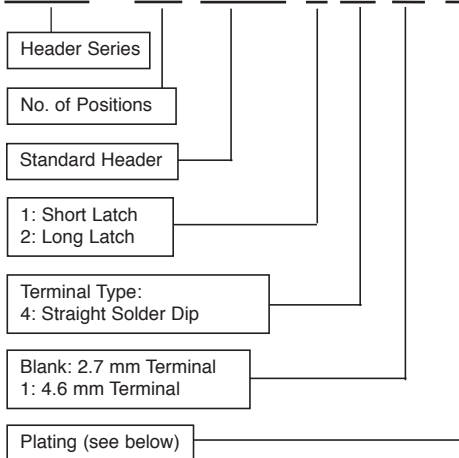
Latch Header (1.27mm, Straight, Solder Dip)

NFP SERIES



ORDERING INFORMATION

NFP- *** A-01 * 4- * -**



Characteristics

Current Rating:	0.5A
Insulation Resistance:	1,000M Minimum at 500 VDC
Withstanding Voltage:	500 VAC for 1 minute
Contact Resistance:	15m Max. at 10mA
Operating Temperature:	-20°C ~ +85°C

Material and Finish

Insulator:	High Temp Thermoplastic-UL94V-0
Contact:	Copper Alloy
Plating:	Mating Face Contacts: Au over Ni Terminals: Au or SnPb over Ni

Features

1. Straight terminals
2. Short or long latches
3. Long terminal available
4. Variety of plating options
5. Spring pin for secure mount
6. Latches eject receptacle
7. Central polarizing key

TYPES OF PLATING

Plating Type	Under Plate	Mating Face	Terminals
AS	Ni 2.5 ~ 4.5 μm	Au 0.76μm Min.	SnPb 2.0 ~ 4.0μm
BS	Ni 2.5 ~ 4.5 μm	Au 0.30μm Min.	SnPb 2.0 ~ 4.0μm
AF	Ni 2.5 ~ 4.5 μm	Au 0.76μm Min.	Au 0.05μm Min.
BF	Ni 2.5 ~ 4.5 μm	Au 0.30μm Min.	Au 0.05μm Min.

CONNECTOR DIMENSIONS (reference only)

Part Number (□, †)	No. of Positions	Pitch	A	B	C	D	E	F	G	H
NFP-10A-01*4-□	10	1.27mm	24.28	5.08	11.58	15.08	38.20	40.20	17.20	8.30
NFP-18A-01*4-□	18	1.27mm	28.09	8.89	15.39	18.89	42.00	44.00	17.20	8.30
NFP-20A-01*4-□	20	1.27mm	30.63	11.43	17.93	21.43	44.80	46.80	17.20	8.30
NFP-28A-01*4-□	28	1.27mm	34.44	15.24	21.74	25.24	48.40	50.40	17.20	8.30
NFP-34A-01*4-□	34	1.27mm	39.52	20.32	26.82	30.32	53.50	55.50	17.20	8.30
NFP-40A-01*4-□	40	1.27mm	43.33	24.13	30.63	34.13	57.30	59.30	17.20	8.30
NFP-50A-01*4-□	50	1.27mm	49.68	30.48	36.98	40.48	63.60	65.60	17.20	8.30
NFP-60A-01*4-□	60	1.27mm	56.03	36.83	43.33	46.83	70.00	72.00	17.20	8.30
NFP-64A-01*4-□	64	1.27mm	58.57	39.37	45.87	49.37	72.50	74.50	17.20	8.30
NFP-80A-01*4-□	80	1.27mm	68.73	49.53	56.03	59.53	82.70	84.70	17.20	8.30
NFP-100A-01*4-□	100	1.27mm	81.43	62.23	68.73	72.23	95.40	97.40	17.20	8.30

- Short Latch
Positions 26, 34, 40, 50, 80, 100 available in long terminals
- † Long latch
Positions 60, 80, 100 available in long terminals

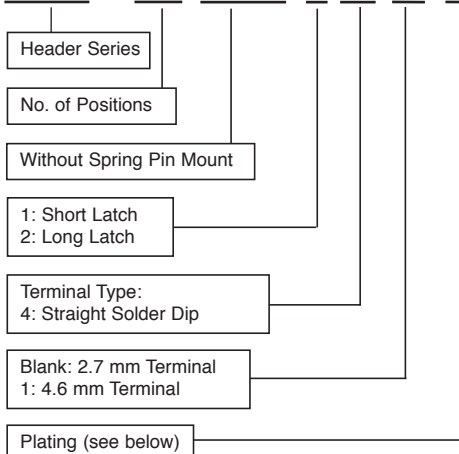
Latch Header (1.27mm, Straight Solder Dip)

NFP SERIES



ORDERING INFORMATION

NFP- *** A-03 * 4- * -**



Characteristics

Current Rating:	0.5A
Insulation Resistance:	1,000M Minimum at 500 VDC
Withstanding Voltage:	500 VAC for 1 minute
Contact Resistance:	15m Max. at 10mA
Operating Temperature:	-20°C ~ +85°C

Material and Finish

Insulator:	High Temp Thermoplastic-UL94V-0
Contact:	Copper Alloy
Plating:	Mating Face Contacts: Au over Ni Terminals: Au or SnPb over Ni

Features

1. Straight terminals
2. Short or long latches
3. Variety of plating options
4. Long terminal available
5. Latches eject receptacle
6. Central polarizing key

TYPES OF PLATING

Plating Type	Under Plats	Mating Face	Terminals
AS	Ni 2.5 ~ 4.5 μm	Au 0.76μm Min.	SnPb 2.0 ~ 4.0μm
BS	Ni 2.5 ~ 4.5 μm	Au 0.30μm Min.	SnPb 2.0 ~ 4.0μm
AF	Ni 2.5 ~ 4.5 μm	Au 0.76μm Min.	Au 0.05μm Min.
BF	Ni 2.5 ~ 4.5 μm	Au 0.30μm Min.	Au 0.05μm Min.

CONNECTOR DIMENSIONS (reference only)

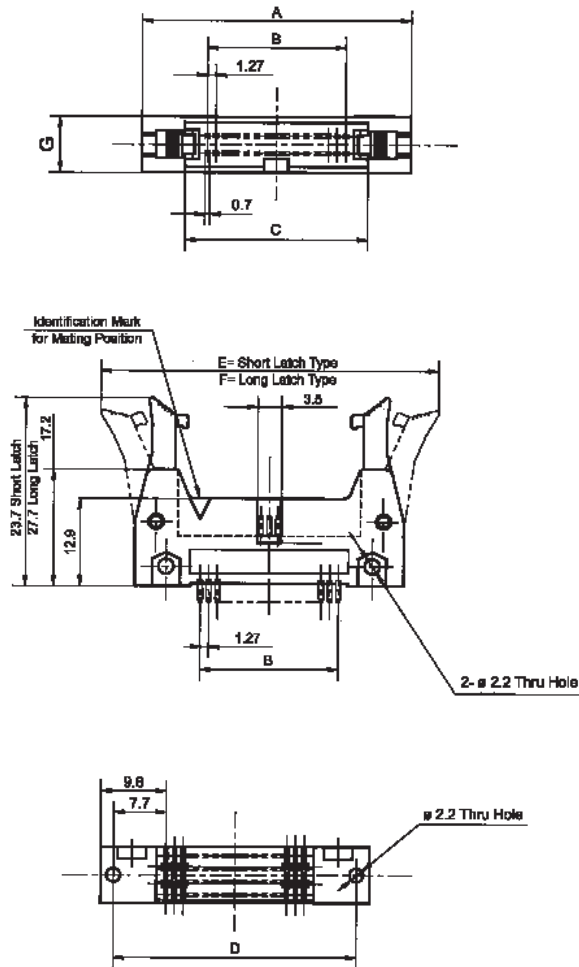
Part Number (□, †)	No. of Positions	Pitch	A	B	C	D	E	F	G
NFP-10A-03*4-□**	10	1.27mm	24.28	5.08	11.58	20.48	38.20	40.20	8.30
NFP-16A-03*4-□**	16	1.27mm	28.09	8.89	16.39	24.29	42.00	44.00	8.30
NFP-20A-03*4-□**	20	1.27mm	30.63	11.43	17.93	26.83	44.60	46.60	8.30
NFP-28A-03*4-□**	28	1.27mm	34.44	15.24	21.74	30.64	48.40	50.40	8.30
NFP-34A-03*4-□**	34	1.27mm	39.52	20.32	26.82	35.72	53.50	55.50	8.30
NFP-40A-03*4-□**	40	1.27mm	43.33	24.13	30.63	39.53	57.30	59.30	8.30
NFP-50A-03*4-□**	50	1.27mm	49.68	30.48	36.98	45.88	63.60	65.60	8.30
NFP-60A-03*4-□**	60	1.27mm	56.03	36.83	43.33	52.23	70.00	72.00	8.30
NFP-64A-03*4-□**	64	1.27mm	58.57	39.37	45.87	54.77	72.50	74.50	8.30
NFP-80A-03*4-□**	80	1.27mm	68.73	49.53	56.03	64.93	82.70	84.70	8.30
NFP-100A-03*4-□**	100	1.27mm	81.43	62.23	68.73	77.83	95.40	97.40	8.30

- Short Latch
Positions 10, 50, 60, 80, 100 available in long terminals
- † Long Latch
Positions 60, 80, 100 available in long terminals

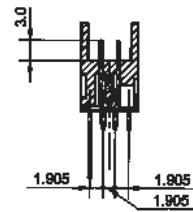
NFP SERIES

APPLICABLE DIMENSIONS (reference only)

Connector Outline Dimensions



Contact Detail

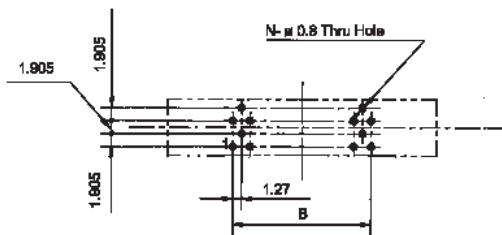


X= 6.5 (Short latch type)
4.0 (Long latch type)

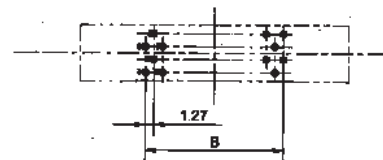
Y= 2.7 (Short terminal length)
4.6 (Long terminal length)

NF Connectors

PCB Layout



10, 26, 34, 50 Contacts



16, 20, 40, 60, 64, 80, 100 Contacts