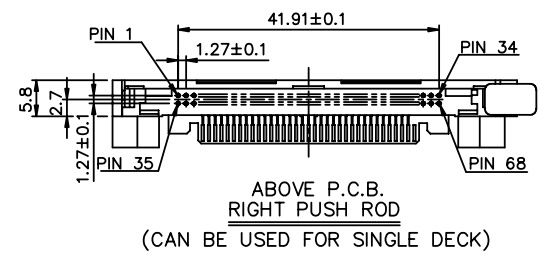
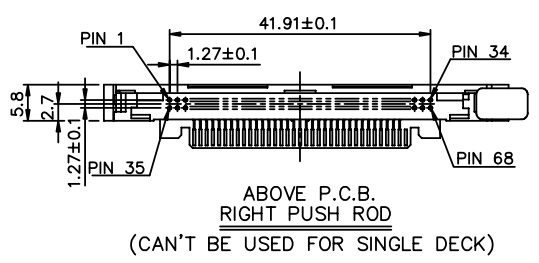
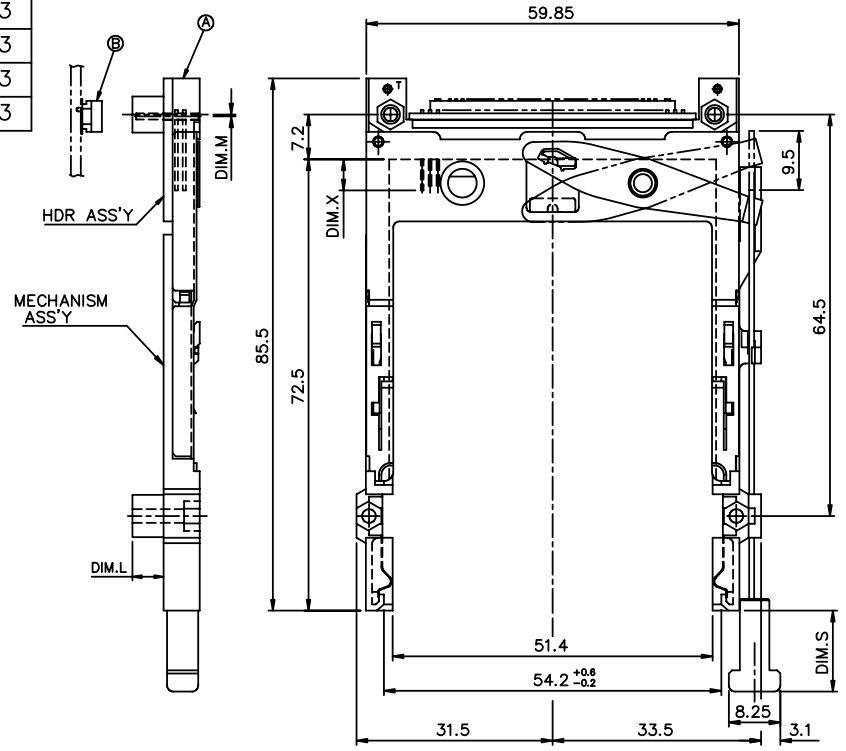
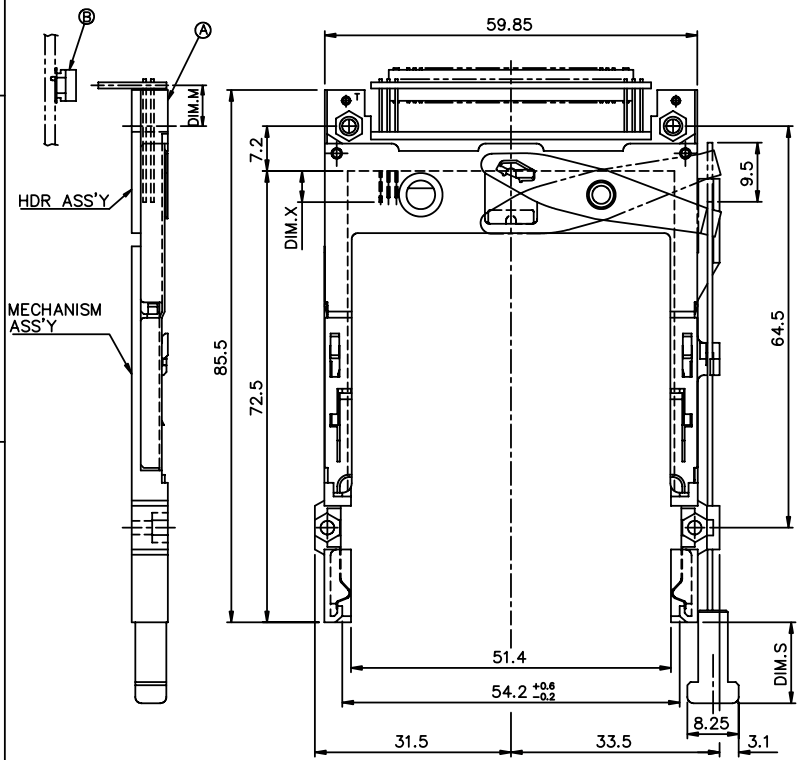


Tous droits strictement réservés. Reproduction ou communication à des tiers sans autorisation écrite du propriétaire. Property of © BERG ELECTRONICS. Copyright BERG ELECTRONICS by

All rights strictly reserved. Reproduction or issue to third parties in any form without written authority from the proprietor. Property of © BERG ELECTRONICS. Copyright BERG ELECTRONICS by

PRODUCT NO.	DIM.M
95547-005**	10.0
95547-025**	9.0
95547-045**	6.55
95547-055**	6.55

PRODUCT NO.	DIM.M
95547-020**	2.15
95547-040**	-0.3
95547-050**	-0.3
95547-050**H	-0.3
95547-250**	-0.3



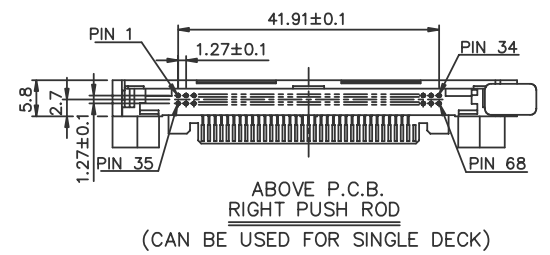
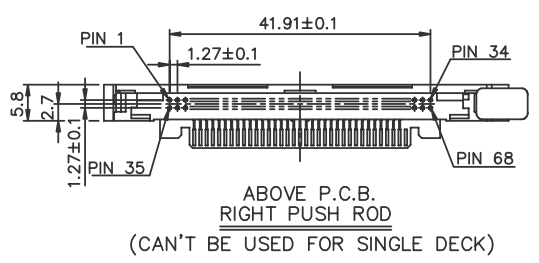
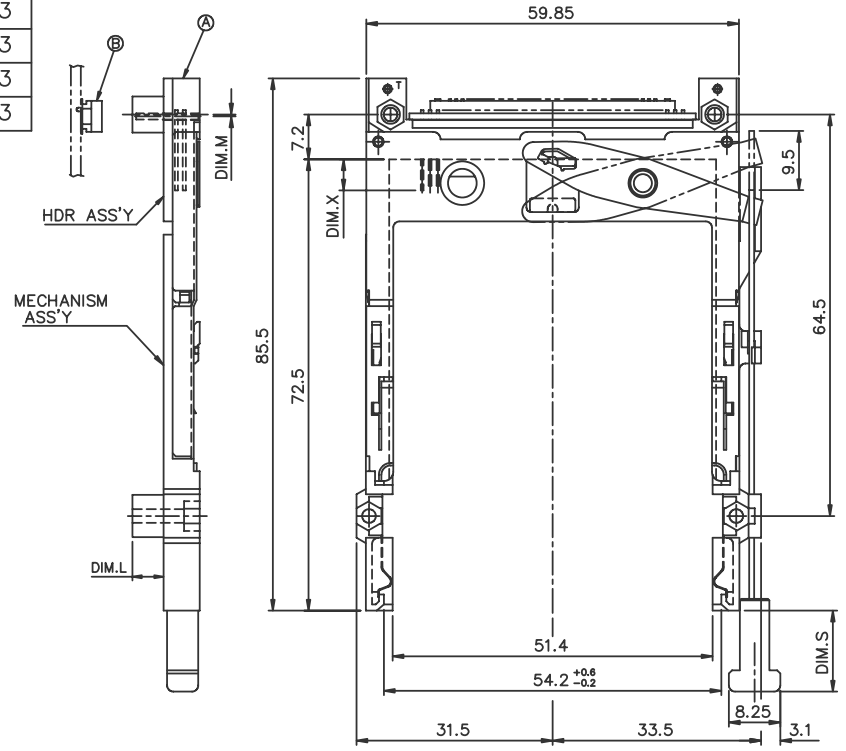
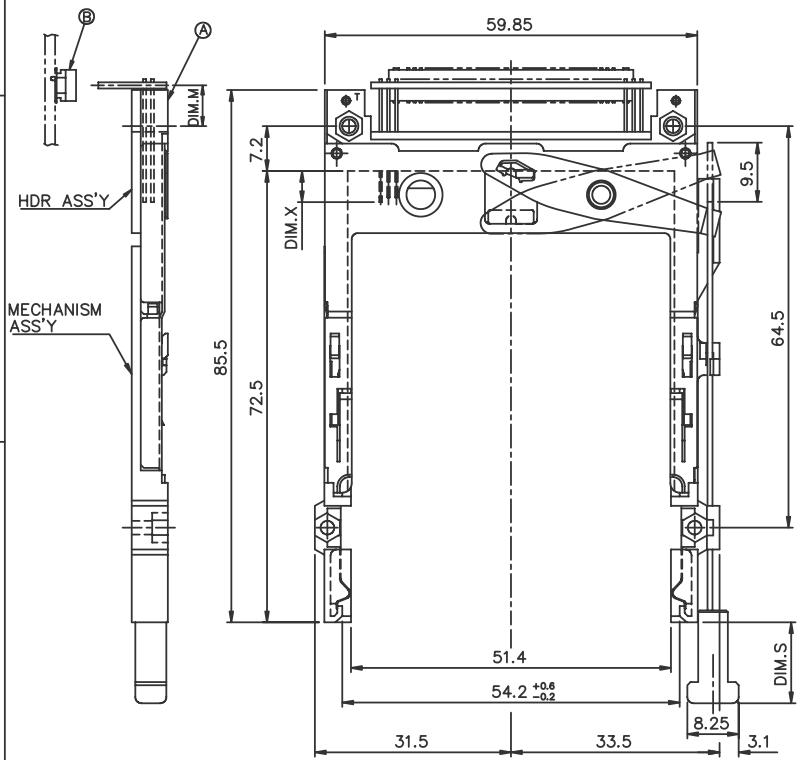
mat'l code		tolerance unless otherwise specified		CUSTOMER COPY		FCI		www.fclconnect.com					
rev.	ecn no.	dr	date	linear		± 0.30		projection					
N	N06-0034	M	Z 02/14/06	angles		± 2°		title					
H	T00234	WL	07/28/00	unit		mm/inch		product family					
J	T00374	WL	12/20/00	dr	WENDY CHEN	01/27/95	unit	PCMCIA					
K	T10149	WL	05/18/01	enr	JOSEPH HSIA	01/27/95	mm/inch	code					
L	T03-0209	WL	06/02/03	chr	JOSEPH HSIA	01/27/95	scale	size					
M	N04-0092	WB	12/01/04	appd	JENN TSAO	01/27/95	A3	95547					
sheet	revision	L	M	L	N	L	M	L	M	N	L		
index	sheet	1	2	3	4	5	6	7	8	9	10	11	12

Tous droits strictement réservés. Reproduction ou communication à des tiers sans autorisation écrite du propriétaire.  
 Property of c BERG ELECTRONICS.  
 Copyright BERG ELECTRONICS by

All rights strictly reserved. Reproduction or issue to third parties in any form without written authority from the proprietor.  
 Property of c BERG ELECTRONICS.  
 Copyright BERG ELECTRONICS by

PRODUCT NO.	DIM.M
95547-005**LF	10.0
95547-025**LF	9.0
95547-045**LF	6.55
95547-055**LF	6.55

PRODUCT NO.	DIM.M
95547-020**LF	2.15
95547-040**LF	-0.3
95547-050**LF	-0.3
95547-050**HLF	-0.3
95547-250**LF	-0.3



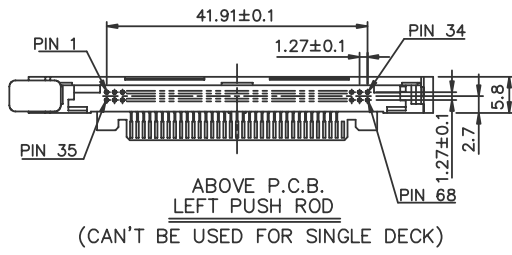
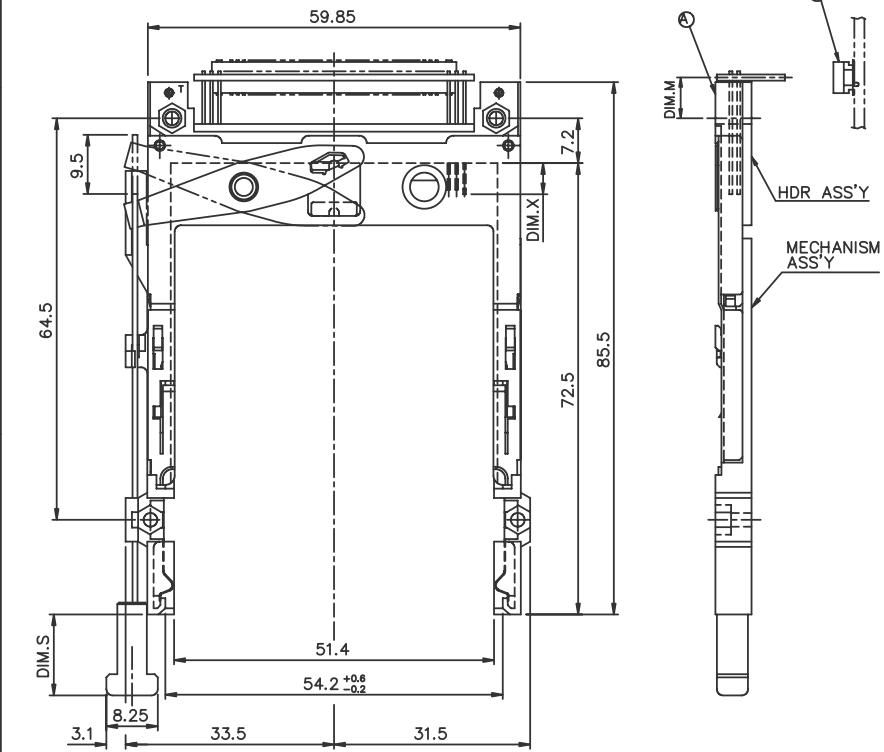
mat'l code		tolerance unless otherwise specified		CUSTOMER COPY		 www.fclconnect.com	
rev.	ecn no.	dr	date	linear	± 0.30	projection	title
M				angles	± 2°		EJECTOR HEADER ASS'Y 5.0V, SMT TYPE 1/2/3
		dr	WENDY CHEN 01/27/95	unit	mm/inch	product family	PCMCIA
		enrg	JOSEPH HSIA 01/27/95	size	dwg no.	code	
		chr	JOSEPH HSIA 01/27/95	scale	A3	95547	sheet 2 of
		appd	JENN TSAO 01/27/95				
sheet	revision						
index	sheet						

Tous droits strictement réservés. Reproduction ou communication à des tiers sans autorisation écrite du propriétaire.  
 Property of © BERG ELECTRONICS.  
 Droits de reproduction BERG ELECTRONICS by

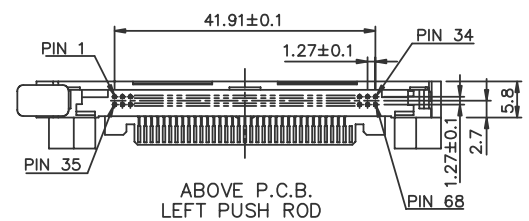
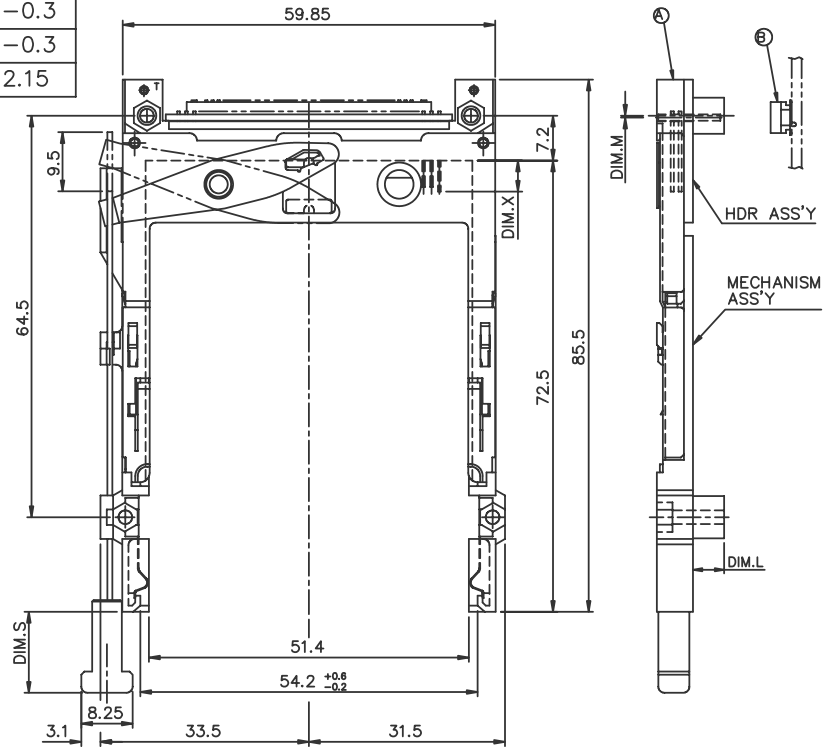
All rights strictly reserved. Reproduction or issue to third parties in any form without written authority from the proprietor.  
 Property of © BERG ELECTRONICS.  
 Copyright BERG ELECTRONICS by



PRODUCT NO.	DIM.M
95547-105**	10.0
95547-125**	9.0
95547-145**	6.55
95547-155**	6.55



PRODUCT NO.	DIM.M
95547-120**	2.15
95547-140**	-0.3
95547-150**	-0.3
95547-322**	2.15



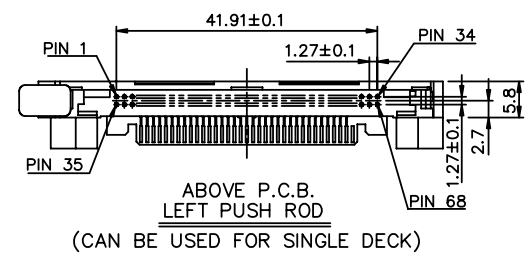
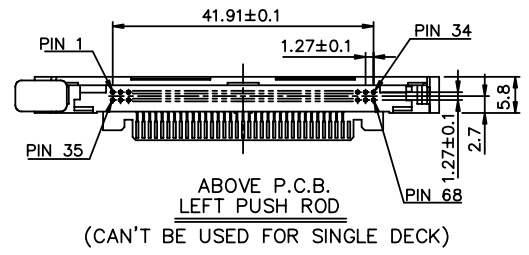
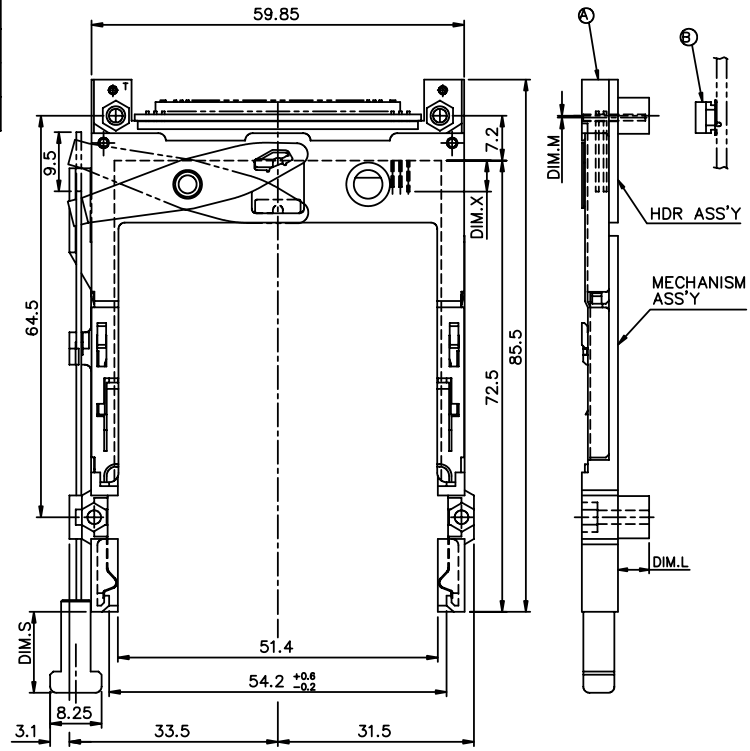
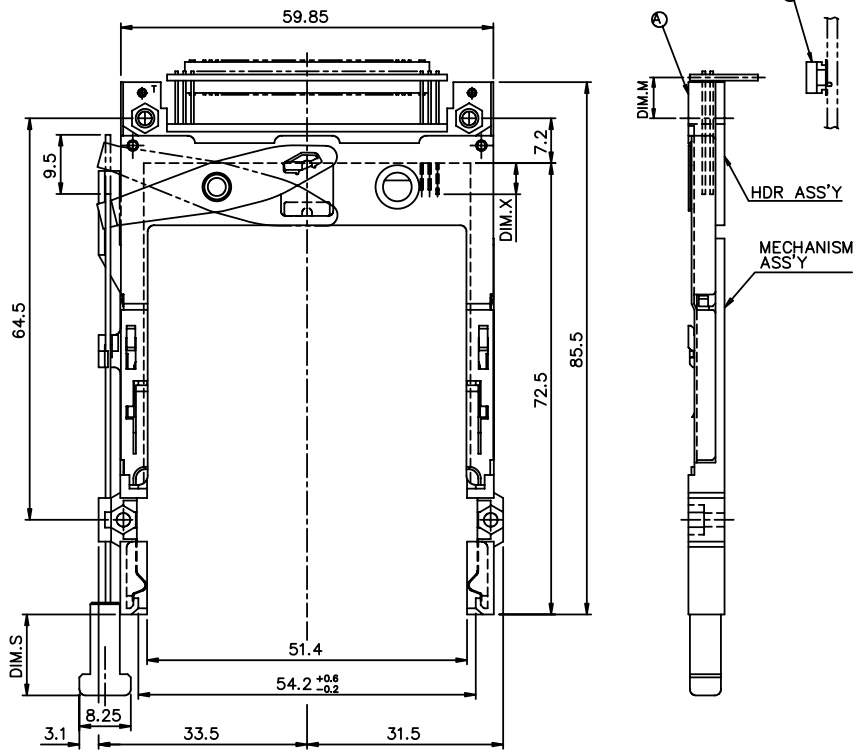
mat'l code		tolerance unless otherwise specified		CUSTOMER COPY		 www.fclconnect.com	
rev.	ecn no.	dr	date	linear	± 0.30	projection	title
L				angles	± 2°		EJECTOR HEADER ASS'Y 5.0V, SMT TYPE 1/2/3
				dr	WENDY CHEN 01/27/95	unit	product family
				enrg	JOSEPH HSIA 01/27/95	mm/inch	PCMCIA
				chr	JOSEPH HSIA 01/27/95	scale	code
				appd	JENN TSAO 01/27/95	A3	95547
sheet	revision						dwg no.
index	sheet						95547
							sheet
							3 of

Tous droits strictement réservés. Reproduction ou communication à des tiers sans autorisation écrite du propriétaire. Property of c BERG ELECTRONICS. Droits de reproduction BERG ELECTRONICS by

All rights strictly reserved. Reproduction or issue to third parties in any form without written authority from the proprietor. Property of c BERG ELECTRONICS. Copyright BERG ELECTRONICS by

PRODUCT NO.	DIM.M
95547-105**LF	10.0
95547-125**LF	9.0
95547-145**LF	6.55
95547-155**LF	6.55

PRODUCT NO.	DIM.M
95547-120**LF	2.15
95547-140**LF	-0.3
95547-150**LF	-0.3
95547-150**HLF	-0.3
95547-322**LF	2.15



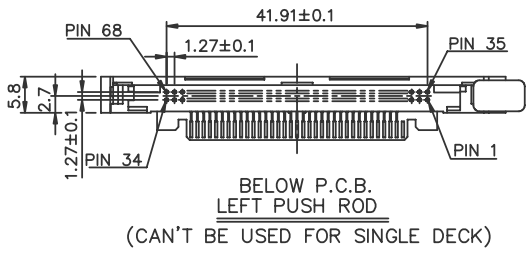
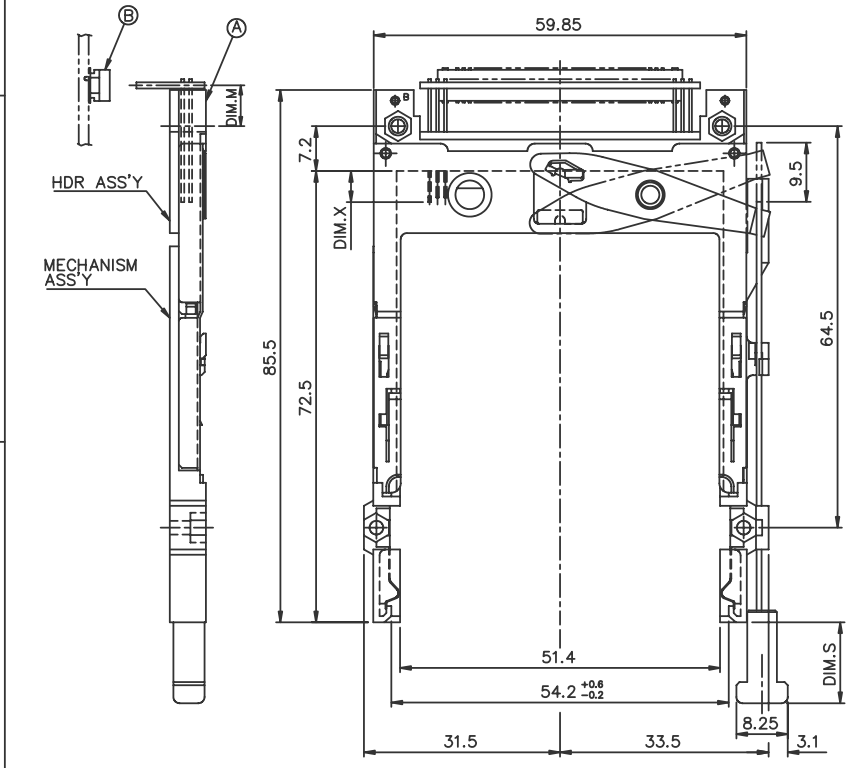
mat'l code		tolerance unless otherwise specified		CUSTOMER COPY		FCI		www.fclconnect.com		
rev.	ecn no.	dr	date	linear	± 0.30	projection	title			
N				angles	± 2°		EJECTOR HEADER ASS'Y			
				dr	WENDY CHEN	01/27/95	unit	product family	PCMCIA	code
				enr	JOSEPH HSIA	01/27/95	mm/inch	size	dwg no.	sheet
				chr	JOSEPH HSIA	01/27/95	scale	A3	95547	4 of
				appd	JENN TSAO	01/27/95				
sheet	revision									
index	sheet									

Tous droits strictement réservés. Reproduction ou communication à des tiers sans autorisation écrite du propriétaire.  
 Property of © BERG ELECTRONICS.  
 Droits de reproduction BERG ELECTRONICS by

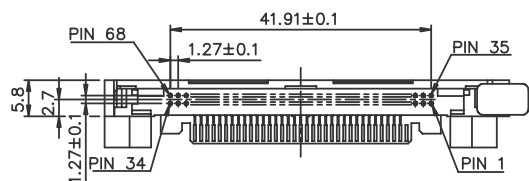
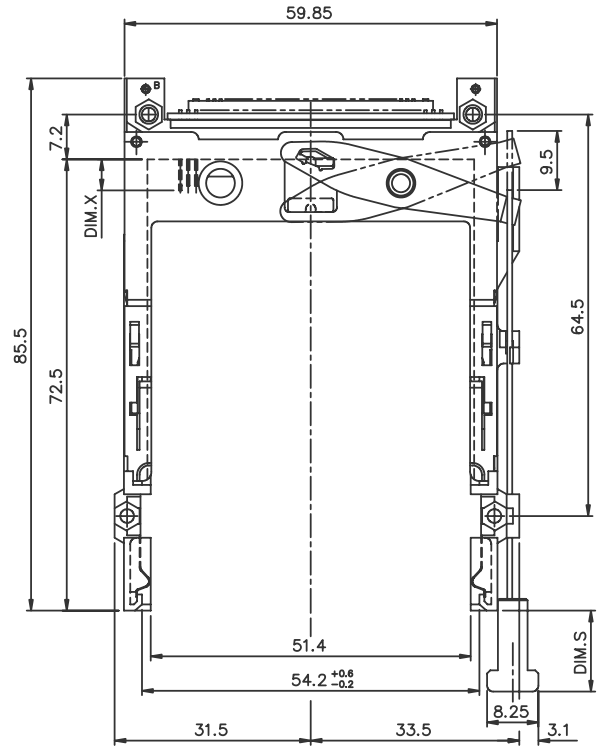
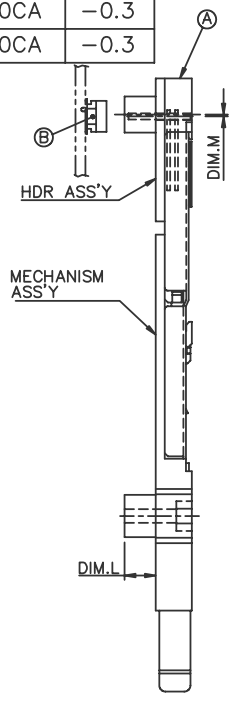
**FCI**

All rights strictly reserved. Reproduction or issue to third parties in any form without written authority from the proprietor.  
 Property of © BERG ELECTRONICS.  
 Copyright BERG ELECTRONICS by

PRODUCT NO.	DIM.M
95547-605CA	10.0
95547-625CA	9.0
95547-645CA	6.55
95547-655CA	6.55



PRODUCT NO.	DIM.M
95547-620CA	2.15
95547-640CA	-0.3
95547-650CA	-0.3



BELOW P.C.B.  
 LEFT PUSH ROD  
 (CAN BE USED FOR SINGLE DECK)

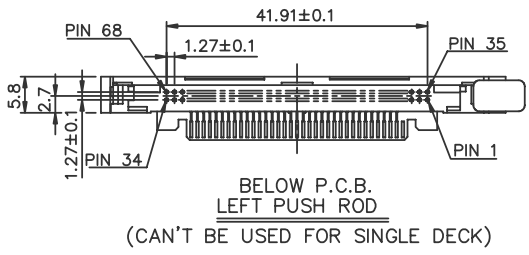
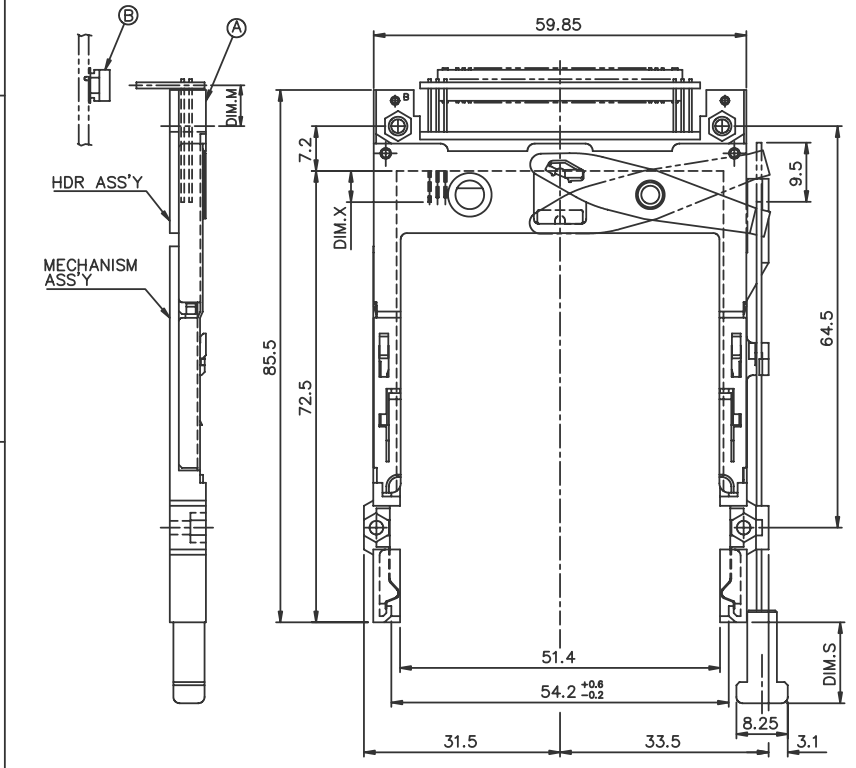
mat'l code		tolerance unless otherwise specified		CUSTOMER COPY		<b>FCI</b> www.fclconnect.com	
rev.	ecn no.	dr	date	linear	± 0.3	projection	title
L				angles	± 2°		EJECTOR HEADER ASS'Y
M				dr WENDY CHEN	01/27/95	unit	5.0V, SMT TYPE 1/2/3
				enrg JOSEPH HSIA	01/27/95	mm/inch	product family
				chr JOSEPH HSIA	01/27/95	scale	PCMCIA
				appd JENN TSAO	01/27/95	A3	code
							size
							dwg no.
							95547
sheet	revision						sheet
index	sheet						5 of

Tous droits strictement réservés. Reproduction ou communication à des tiers sans autorisation écrite du propriétaire.  
 Property of c BERG ELECTRONICS.  
 Droits de reproduction BERG ELECTRONICS by

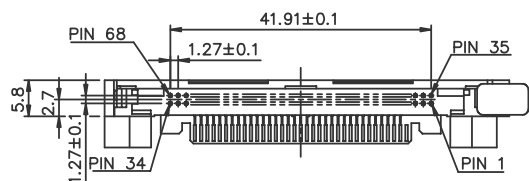
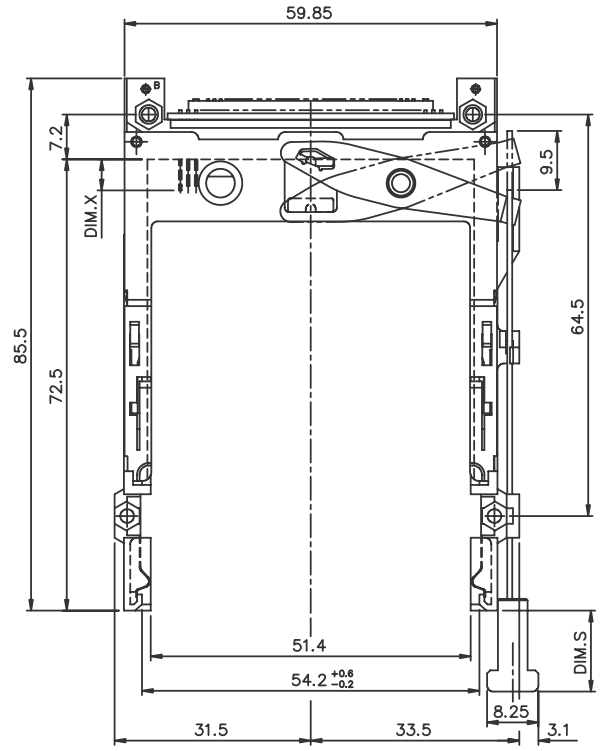
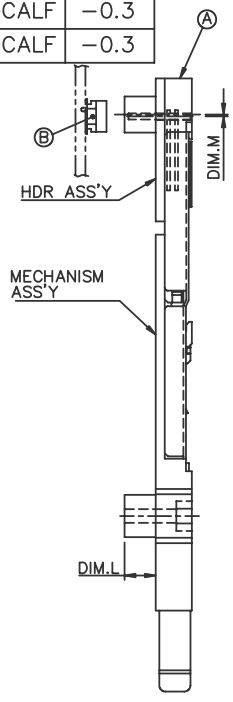
**FCI**

All rights strictly reserved. Reproduction or issue to third parties in any form without written authority from the proprietor.  
 Property of c BERG ELECTRONICS.  
 Copyright BERG ELECTRONICS by

PRODUCT NO.	DIM.M
95547-605CALF	10.0
95547-625CALF	9.0
95547-645CALF	6.55
95547-655CALF	6.55



PRODUCT NO.	DIM.M
95547-620CALF	2.15
95547-640CALF	-0.3
95547-650CALF	-0.3



BELOW P.C.B.  
LEFT PUSH ROD  
(CAN BE USED FOR SINGLE DECK)

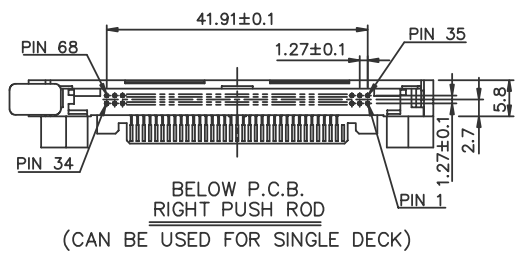
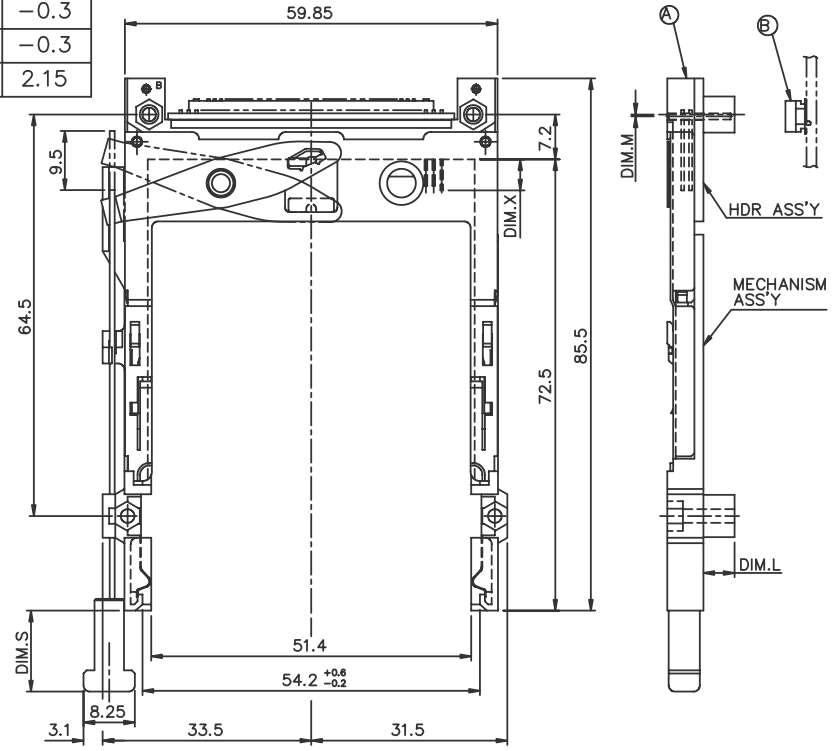
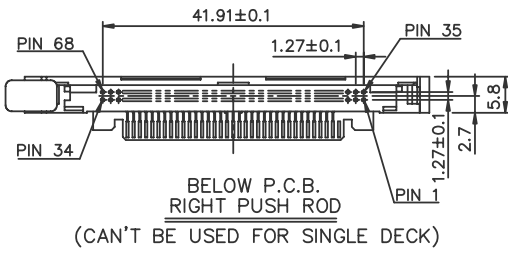
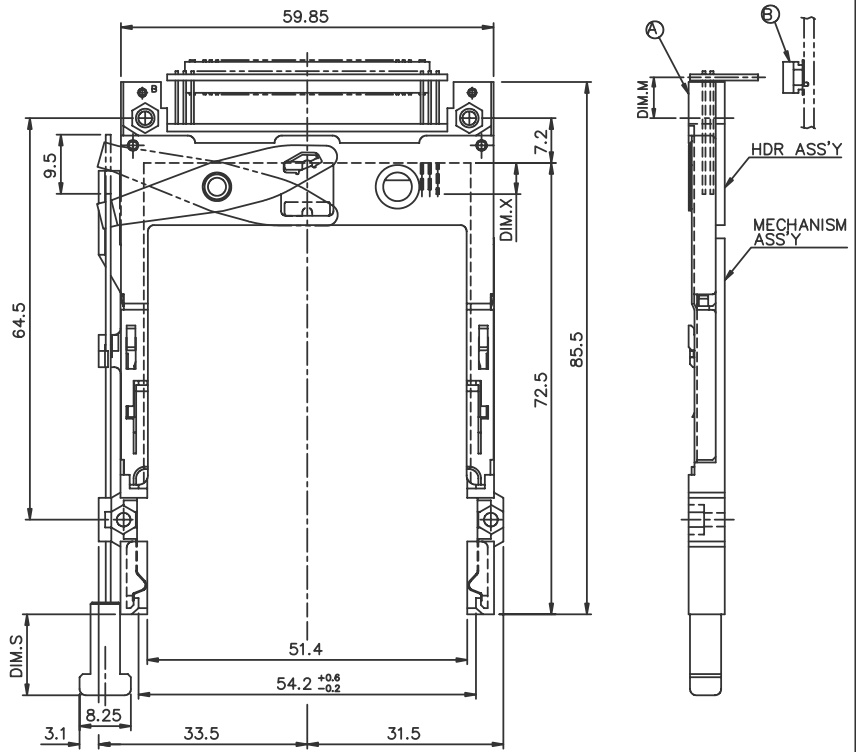
mat'l code		tolerance unless otherwise specified		CUSTOMER COPY		<b>FCI</b> www.fclconnect.com	
rev.	ecn no.	dr	date	linear	± 0.3	projection	title
L				angles	± 2°		EJECTOR HEADER ASS'Y
M				dr WENDY CHEN	01/27/95	unit	5.0V, SMT TYPE 1/2/3
				enrg JOSEPH HSIA	01/27/95	mm/inch	product family
				chr JOSEPH HSIA	01/27/95	scale	PCMCIA
				appd JENN TSAO	01/27/95	A3	code
							95547
sheet	revision						size
index	sheet						dwg no.
							6 of

Tous droits strictement réservés. Reproduction ou communication à des tiers sans autorisation écrite du propriétaire.  
 Property of © BERG ELECTRONICS.  
 Droits de reproduction BERG ELECTRONICS by

All rights strictly reserved. Reproduction or issue to third parties in any form without written authority from the proprietor.  
 Property of © BERG ELECTRONICS.  
 Copyright BERG ELECTRONICS by

PRODUCT NO.	DIM.M
95547-505CA	10.0
95547-525CA	9.0
95547-545CA	6.55
95547-555CA	6.55

PRODUCT NO.	DIM.M
95547-520CA	2.15
95547-540CA	-0.3
95547-550CA	-0.3
95547-750CA	2.15



mat'l code		tolerance unless otherwise specified		CUSTOMER COPY		 www.fclconnect.com	
rev.	ecn no.	dr	date	linear	± 0.30	projection	title
L				angles	± 2°		EJECTOR HEADER ASS'Y
M				dr	WENDY CHEN 01/27/95	unit	5.0V, SMT TYPE 1/2/3
				enrg	JOSEPH HSIA 01/27/95	mm/inch	product family
				chr	JOSEPH HSIA 01/27/95	scale	PCMCIA
				appd	JENN TSAO 01/27/95	A3	code
							95547
sheet	revision						size
index	sheet						dwg no.
							7 of

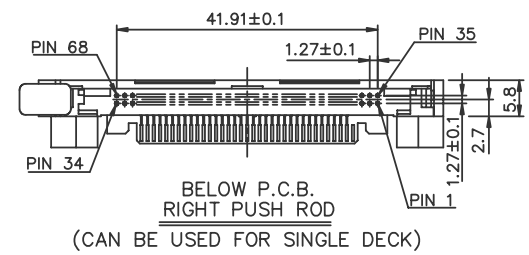
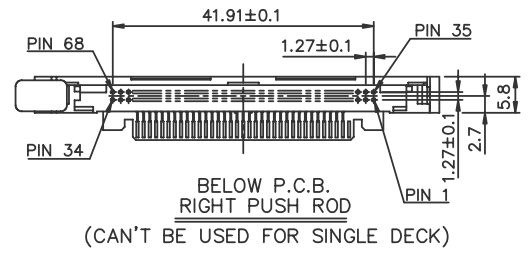
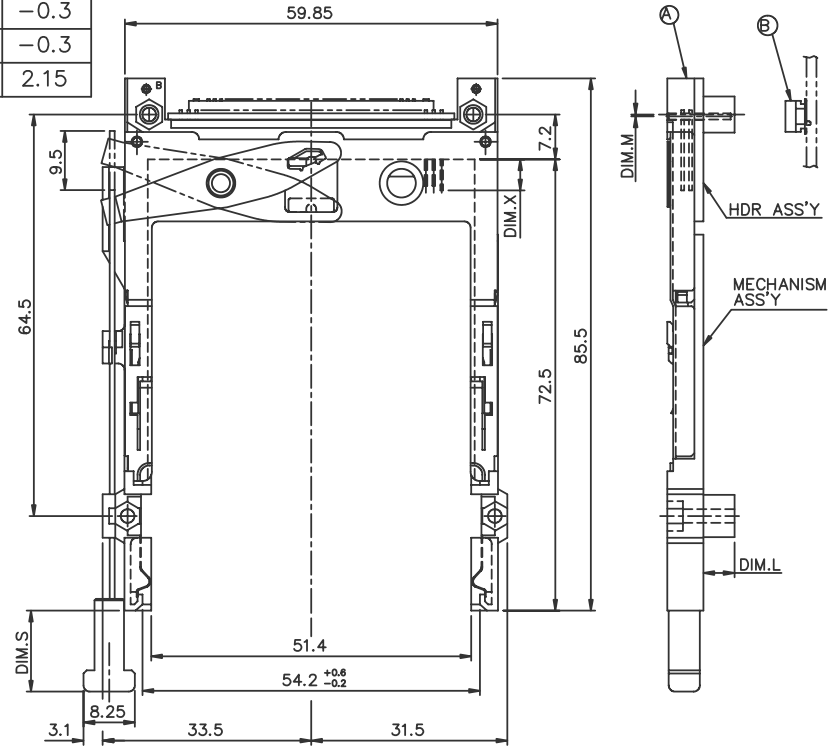
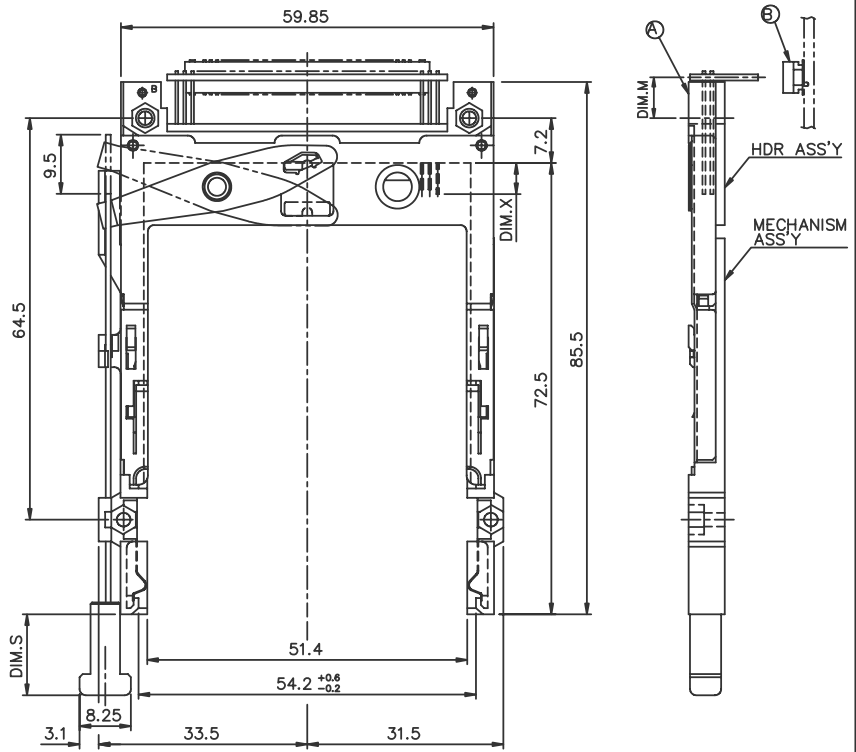
Tous droits strictement réservés. Reproduction ou communication à des tiers sans autorisation écrite du propriétaire.  
 Property of © BERG ELECTRONICS.  
 Droits de reproduction BERG ELECTRONICS by

All rights strictly reserved. Reproduction or issue to third parties in any form without written authority from the proprietor.  
 Property of © BERG ELECTRONICS.  
 Copyright BERG ELECTRONICS by



PRODUCT NO.	DIM.M
95547-505CALF	10.0
95547-525CALF	9.0
95547-545CALF	6.55
95547-555CALF	6.55

PRODUCT NO.	DIM.M
95547-520CALF	2.15
95547-540CALF	-0.3
95547-550CALF	-0.3
95547-750CALF	2.15



mat'l code		tolerance unless otherwise specified		CUSTOMER COPY		 www.fclconnect.com	
rev.	ecn no.	dr	date	linear	± 0.30	projection	title
L				angles	± 2°		EJECTOR HEADER ASS'Y
M				dr	WENDY CHEN 01/27/95	unit	5.0V, SMT TYPE 1/2/3
				enrg	JOSEPH HSIA 01/27/95	mm/inch	product family
				chr	JOSEPH HSIA 01/27/95	scale	PCMCIA
				appd	JENN TSAO 01/27/95	A3	code
							95547
sheet	revision						size
index	sheet						dwg no.
							8 of

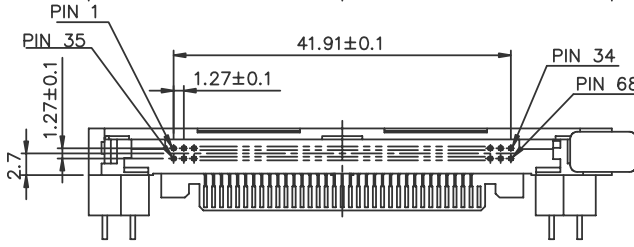
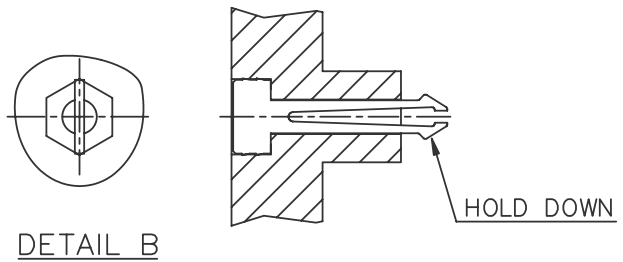
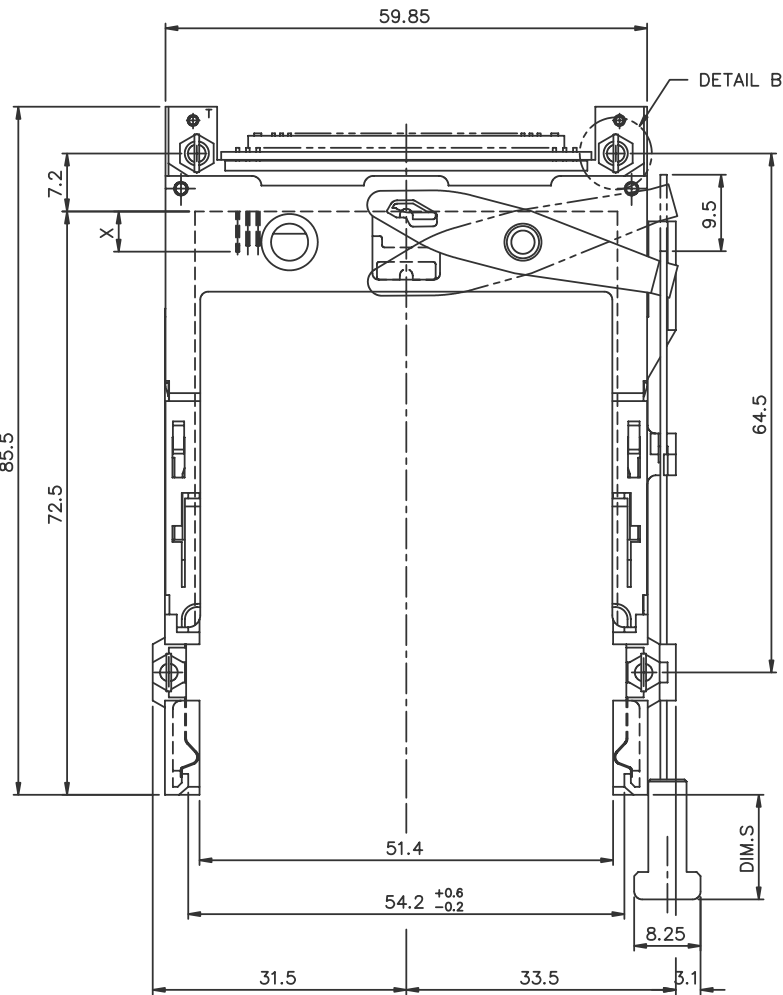
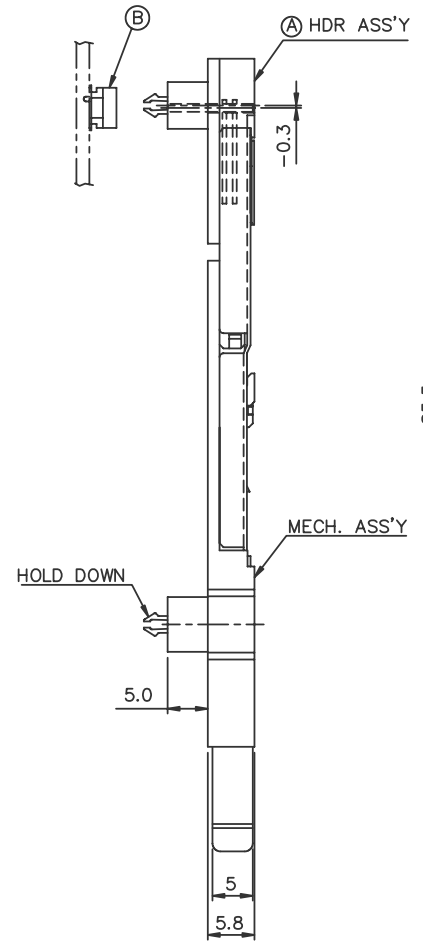


Tous droits strictement réservés. Reproduction ou communication à des tiers int  
 sous quelque forme que ce soit, sans autorisation écrite du propriétaire.  
 Property of c BERG ELECTRONICS.  
 Droits de reproduction BERG ELECTRONICS by

All rights strictly reserved. Reproduction or issue to third parties in any for  
 without written authority from the proprietor.  
 Property of c BERG ELECTRONICS.  
 Copyright BERG ELECTRONICS by

**FCI**

PRODUCT NO.
95547-050**H
95547-050**HLF



mat'l code		tolerance unless otherwise specified		CUSTOMER COPY		<b>FCI</b> www.fclconnect.com		
rev.	ecn no.	dr	date	linear	±0.3	projection	title	
L				angles	± 2°		EJECTOR HEADER ASS'Y 5.0V, SMT TYPE 1/2/3	
M				dr	WENDY CHEN 12/19/00		unit	product family
				enrg	JOSEPH HSIA 12/19/00		mm/inch	PCMCIA
				chr	JOSEPH HSIA 12/19/00		scale	code
				appd	JOSEPH HSIA 12/19/00	1.4:1	size	
sheet	revision					A3	dwg no.	
index	sheet						95547	
							sheet	
							9 of	

DESCRIPTION : ABOVE PCB, DECK AND PUSH ROD LOCATION ARE AS VIEW BY USER.

NOTES:

- 8mm MIN. CARD EJECT.
- EJECT TRAVEL: 9.5mm
- PUSH ROD LOCATION AND P.C.B. SIDE ARE AS APPEARS INSTALLED.
- MATERIAL
  - HEADER ASS'Y:
    - PLASTIC : HOUSING ...LCP UL94V-O BLACK
    - PIN : COPPER ALLOY
    - PCB : FR4
  - EJECT MECHANISM ASS'Y:
    - PLASTIC : GUIDE: POLYPHTHARAMID UL94V-O BLACK
    - : PUSH ROD CAP: POLYPHTHARAMID UL94V-O BLACK
    - PLATE AND PUSH ROD : STAINLESS
    - EMI CONTACT: PHOSPHOR BRONZE
- FINISH (PIN)
  - UNDER PLATING : 0.5 um MIN. Ni
  - CONTACT AREA : 0.1 um MIN. GOLD OVER
  - 0.5 um MIN. Pd-Ni( OTHER VERSIONS),
  - 0.1 um MIN. GOLD OVER 0.8um Pd-Ni
  - (FOR 95547-250\*\* AND 95547-250\*\*LF ONLY)
  - SOLDER TAIL : TIN LEAD PLATING: 2.5 um MIN. Sn-Pb
  - LEAD FREE PLATING: 2.5 um MIN. PURE TIN

6. DIM "X"

4.25±0.1	3.5±0.1	5.0±0.1
OTHERS	36,67	1,17,34,35,51,68

7. TABLE J

** DIM.S
CA 13.0
DA 15.6

- ADD "H" TO PART NUMBER FOR OPTIONAL HOLD DOWN (4 PER ASSEMBLY).
- IF LEAD FREE P/N.THE HOUSING WILL WITHSTAND EXPOSURE TO 260°C PEAK TEMPERATURE FOR 10 SECONDS IN A WAVE SOLDER APPLICATION WITH A 1.00MM MINIMUM THICK CIRCUIT BOARD.
- LEAD FREE PRODUCT MEETS EUROPEAN UNION DIRECTIVES AND OTHER COUNTRY REGULATIONS AS DISCRIBLED IN GS-22-008
- IF LEAD FREE P/N. PACKAGING MEETS GS-14-920 SPECIFICATION

TIN LEAD ORDERING INFORMATION

NAME	PART NO.	Q'TY
(A) EJECT HEADER ASS'Y	95547-*****	1
(B) MATING RECEPTACLE	91931-31169	1

LOWER DECK								
(A) PRODUCT NO.	STAND-OFF HIGH DIM. L	PUSH ROD LOCATION (C)	P.C.B. SIDE (C)	P.C.B LAYOUT RECOMMENDED	(B) MATING RECEPTACLE	MOUNT STYLE TO PCB AND PUSH ROD SIDE		
95547-020**	2.2	RIGHT	ABOVE	SEE DRAWING P/N: TA-1052	↑ RECEPTACLE PART NUMBER: 91931-31169 ↓			
95547-040**	4.3							
95547-050**	5.0							
95547-050**H	5.0							
95547-250**	5.0							
95547-120**	2.2	LEFT	ABOVE	SEE DRAWING P/N: TA-1052		↑ RECEPTACLE PART NUMBER: 91931-31169 ↓		
95547-140**	4.3							
95547-150**	5.0							
95547-322**	2.2	LEFT	ABOVE	SEE PAGE 7			↑ RECEPTACLE PART NUMBER: 91931-31169 ↓	
95547-520**	2.2	RIGHT	BELOW	SEE DRAWING P/N: TA-1052				
95547-540**	4.3							
95547-550**	5.0							
95547-750**	5.0							
95547-620**	2.2	LEFT	BELOW	SEE DRAWING P/N: TA-1052	↑ RECEPTACLE PART NUMBER: 91931-31169 ↓			
95547-640**	4.3							
95547-650**	5.0							

UPPER DECK							
(A) PRODUCT NO.	JOINT WITH LOWER DECK STAND-OFF HIGH(DIM. L)	PUSH ROD LOCATION (C)	P.C.B. SIDE (C)	(B) MATING RECEPTACLE	MOUNT STYLE TO PCB AND PUSH ROD SIDE		
95547-005**	0.0	RIGHT	ABOVE	↑ RECEPTACLE PART NUMBER: 91931-31169 ↓			
95547-025**	2.2						
95547-045**	4.3						
95547-055**	5.0						
95547-105**	0.0						
95547-125**	2.2	LEFT	ABOVE		↑ RECEPTACLE PART NUMBER: 91931-31169 ↓		
95547-145**	4.3						
95547-155**	5.0						
95547-505**	0.0	RIGHT	BELOW			↑ RECEPTACLE PART NUMBER: 91931-31169 ↓	
95547-525**	2.2						
95547-545**	4.3						
95547-555**	5.0						
95547-605**	0.0						
95547-625**	2.2	LEFT	BELOW	↑ RECEPTACLE PART NUMBER: 91931-31169 ↓			
95547-645**	4.3						
95547-655**	5.0						

NOTES:

- IT CAN'T BE USED FOR SINGLE DECK.
- IT MUST BE ASSEMBLED BY USER FOR DOUBLE DECK APPLICATION.(PLEASE REFER TO P/N 95562)
- \*\* : SEE TABLE J

mat'l code		tolerance unless otherwise specified		CUSTOMER COPY				www.fclconnect.com	
rev.	ecn no.	dr	date	linear	projection	title EJECTOR HEADER ASS'Y 5.0V, SMT TYPE 1/2/3			
L				angles		product family PCMCIA code			
M				dr WENDY CHEN 01/27/95	unit mm/inch	size dwg no.			
				enrg JOSEPH HSIA 01/27/95	scale 1:1	95547 sheet 100f			
				chr JOSEPH HSIA 01/27/95					
				appd JENN TSAO 01/27/95					
sheet	revision								
index	sheet								

Tous droits strictement reserves. Reproduction ou communication a des tiers int sous quelque forme que ce soit sans autorisation écrite du propriétaire. Property of c BERG ELECTRONICS. Droits de reproduction BERG ELECTRONICS by

FCI

All rights strictly reserved. Reproduction or issue to third parties in any for without written authority from the proprietor. Property of c BERG ELECTRONICS. Copyright BERG ELECTRONICS by

DESCRIPTION : ABOVE PCB, DECK AND PUSH ROD LOCATION ARE AS VIEW BY USER.

LOWER DECK							
Ⓐ PRODUCT NO.	STAND-OFF HIGH DIM. L	PUSH ROD LOCATION Ⓞ	P.C.B. SIDE Ⓞ	P.C.B LAYOUT RECOMMENDED	Ⓑ MATING RECEPTACLE	MOUNT STYLE TO PCB AND PUSH ROD SIDE	
95547-020**LF	2.2	RIGHT	ABOVE	SEE DRAWING P/N: TA-1052	↑ RECEPTACLE PART NUMBER: 91931-31169LF ↓		
95547-040**LF	4.3						
95547-050**LF	5.0						
95547-050**HLF	5.0						
95547-250**LF	5.0						
95547-120**LF	2.2	LEFT	ABOVE	SEE DRAWING P/N: TA-1052			
95547-140**LF	4.3						
95547-150**LF	5.0						
⚠ 95547-150**HLF	5.0						
95547-322**LF	2.2						
95547-520**LF	2.2	RIGHT	BELOW	SEE DRAWING P/N: TA-1052			
95547-540**LF	4.3						
95547-550**LF	5.0						
95547-750**LF	5.0						
95547-620**LF	2.2						
95547-640**LF	4.3	LEFT	BELOW	SEE DRAWING P/N: TA-1052			
95547-650**LF	5.0						

UPPER DECK						
Ⓐ PRODUCT NO.	JOINT WITH LOWER DECK STAND-OFF HIGH(DIM. L)	PUSH ROD LOCATION Ⓞ	P.C.B. SIDE Ⓞ	Ⓑ MATING RECEPTACLE	MOUNT STYLE TO PCB AND PUSH ROD SIDE	
95547-005**LF	0.0	RIGHT	ABOVE	↑ RECEPTACLE PART NUMBER: 91931-31169LF ↓		
95547-025**LF	2.2					
95547-045**LF	4.3					
95547-055**LF	5.0					
95547-105**LF	0.0					
95547-125**LF	2.2	LEFT	ABOVE			
95547-145**LF	4.3					
95547-155**LF	5.0					
95547-505**LF	0.0					
95547-525**LF	2.2					
95547-545**LF	4.3	RIGHT	BELOW			
95547-555**LF	5.0					
95547-605**LF	0.0					
95547-625**LF	2.2					
95547-645**LF	4.3					
95547-655**LF	5.0	LEFT	BELOW			
95547-655**LF	5.0					

NOTES:  
 1. IT CAN'T BE USED FOR SINGLE DECK.  
 2. IT MUST BE ASSEMBLED BY USER FOR DOUBLE DECK APPLICATION.(PLEASE REFER TO P/N 95562)  
 3. \*\* : SEE TABLE J

LEAD FREE ORDERING INFORMATION

NAME	PART NO.	Q'TY
Ⓐ EJECT HEADER ASS'Y	95547-****LF	1
Ⓑ MATING RECEPTACLE	91931-31169LF	1

mat'l code		tolerance unless otherwise specified		CUSTOMER COPY		<b>FCI</b> www.fclconnect.com	
rev.	ecn no.	dr	date	linear	projection	title EJECTOR HEADER ASS'Y 5.0V, SMT TYPE 1/2/3	
N				angles		product family	PCMCIA
				dr WENDY CHEN 01/27/95	unit	code	
				enrg JOSEPH HSIA 01/27/95	mm/inch	size	dwg no.
				chr JOSEPH HSIA 01/27/95	scale	A3	95547
				appd JENN TSAO 01/27/95	1:1	sheet	11 of
sheet	revision						
index	sheet						

Tous droits strictement reserves. Reproduction ou communication a des tiers int sous quelque forme que ce soit sans autorisation ecrite du proprietair. Property of c BERG ELECTRONICS. Droits de reproduction BERG ELECTRONICS by

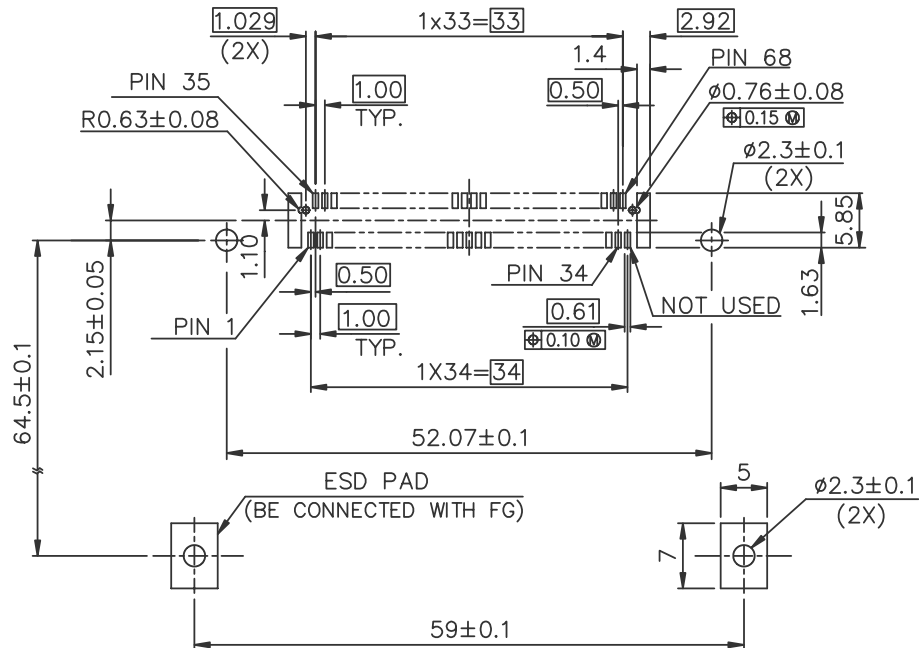
**FCI**

All rights strictly reserved. Reproduction or issue to third parties in any for without written authority from the proprietor. Property of c BERG ELECTRONICS. Copyright BERG ELECTRONICS by

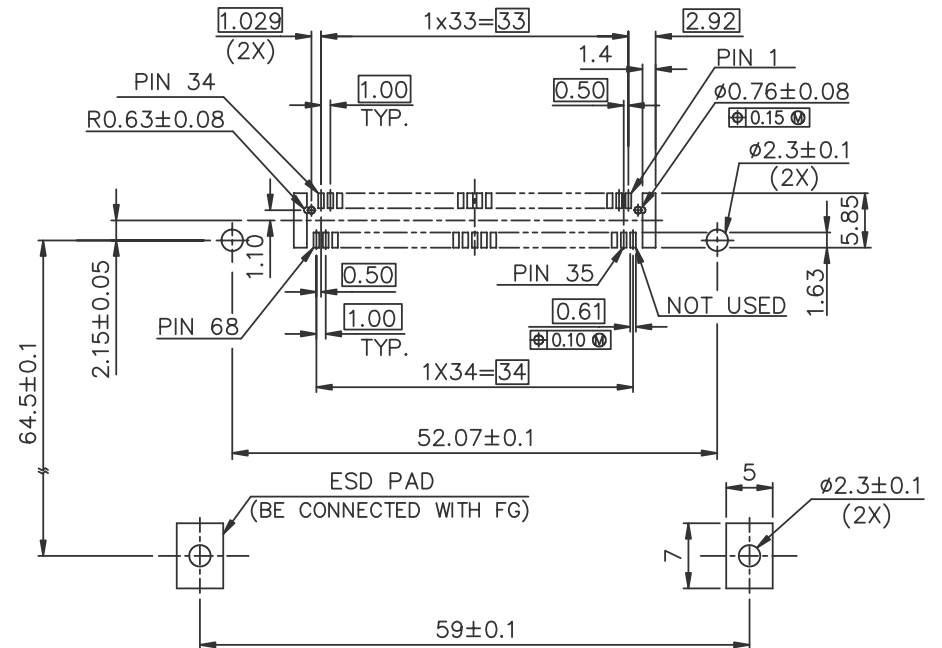
Tous droits strictement réservés. Reproduction ou communication à des tiers sans autorisation écrite du propriétaire.  
 Property of c BERG ELECTRONICS.  
 Copyright BERG ELECTRONICS by



All rights strictly reserved. Reproduction or issue to third parties in any form without the written authority from the proprietor.  
 Property of c BERG ELECTRONICS.  
 Copyright BERG ELECTRONICS by



4 CARD INSERTION DIRECTION  
 (ONLY USED FOR P/N: 95547-322\*\*  
 AND P/N: 95547-322\*\*LF)



4 CARD INSERTION DIRECTION  
 (ONLY USED FOR P/N: 95547-750\*\*  
 AND P/N: 95547-750\*\*LF)

mat'l code		tolerance unless otherwise specified		CUSTOMER COPY	 www.fclconnect.com				
rev.	ecn no.	dr	date	linear		±0.10			
L				angles	± 2'				
		dr	WENDY CHEN 11/24/97	projection	 title CONAN, EJECTOR HDR LAYOUT				
		enrg	JOSEPH HSIA 11/24/97	unit					
		chr	JOSEPH HSIA 11/24/97	mm/inch	product family	PCMCIA	code		
		appd	JENN TSAO 11/24/97	scale	size	dwg no.	95547	sheet	12of
sheet	revision				A3				
index	sheet								