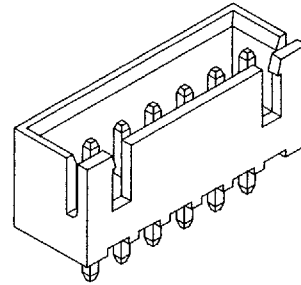
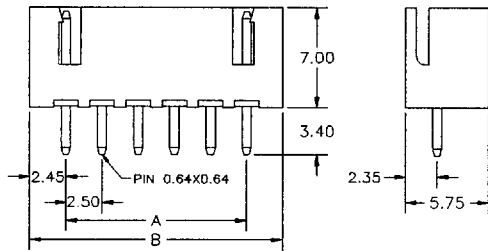


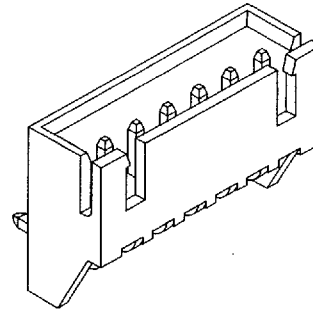
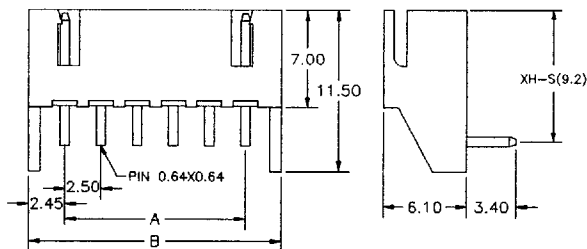
# 2.50mm (0.098") Pin Wafer

*XH Series*

## Top Entry Type



## Side Entry Type

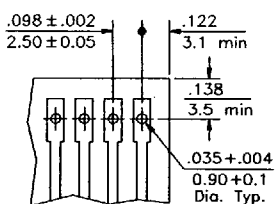


Circuits	Model No.		Dimension mm	
	Top Entry	Side Entry	A	B
2	XH-T- 2	XH-S- 2	2.5	7.4
3	XH-T- 3	XH-S- 3	5.0	9.9
4	XH-T- 4	XH-S- 4	7.5	12.4
5	XH-T- 5	XH-S- 5	10.0	14.9
6	XH-T- 6	XH-S- 6	12.5	17.4
7	XH-T- 7	XH-S- 7	15.0	19.9
8	XH-T- 8	XH-S- 8	17.5	22.4
9	XH-T- 9	XH-S- 9	20.0	24.9

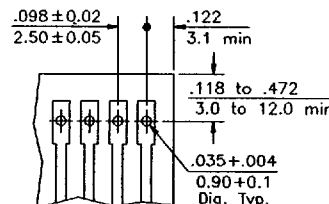
Circuits	Model No.		Dimension mm	
	Top Entry	Side Entry	A	B
10	XH-T-10	XH-S-10	22.5	27.4
11	XH-T-11	XH-S-11	25.0	29.9
12	XH-T-12	XH-S-12	27.5	32.4
13	XH-T-13	XH-S-13	30.0	34.9
14	XH-T-14	XH-S-14	32.5	37.4
15	XH-T-15	XH-S-15	35.0	39.9
20	XH-T-20	-	47.5	52.4

## DIP Type P.C.Board Layout

### Top Entry Type



### Side Entry Type



SINGATRON ENT. CO., LTD. Tel.: (909) 464-1883 Fax.: (909) 464-1884

9011184 0000162 019