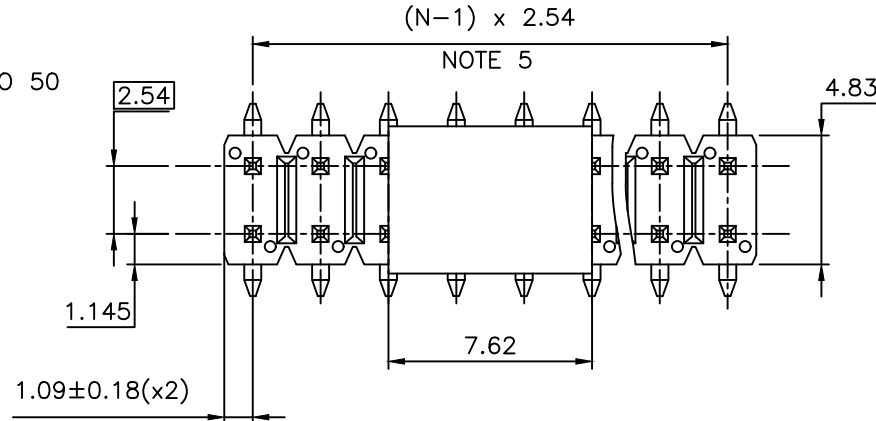


PRODUCT NUMBER

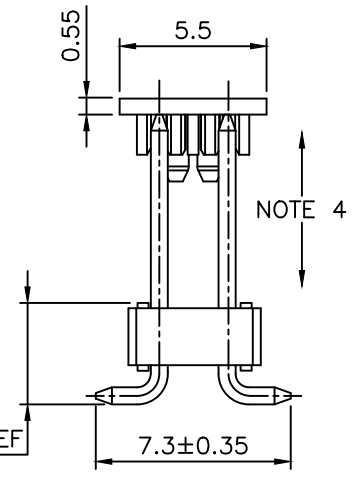
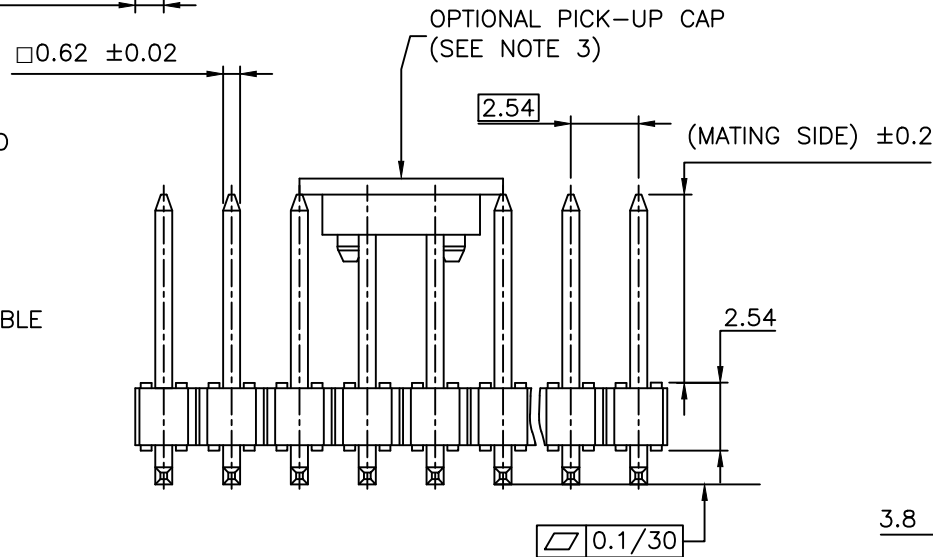
95278-YXX-XXLF

- RoHS COMPATIBLE, NOTE 6.
- TOTAL NB OF POSITIONS 04 TO 50
- PACKAGING OPTIONS, NOTE 3.
- PIN STYLE SEE SHEET 2
- PLATING SEE SHEET 2



NOTES:

1. HOUSING MAT'L : HIGH TEMPERATURE THERMOPLASTIC. UL94V-0 COLOR: BLACK
2. PIN MATERIAL : PHOSPHOR BRONZE
- 3 - PACKAGING OPTIONS:
 - = POLY BAGS
 - B = TUBE + CAP
 - A = TAPE & REEL WITH CAP, AS AVAILABLE
CAUTION: CAP ON 95278-YXX-04LF IS ORIENTED 90° VERSUS OTHER NB OF POSITIONS
 - TR = CUSTOM TAPE & REEL WITH CAP, SEE TA840 ONLY FOR P/N 95278-102TR04LF AND P/N 95278-101TR10LF
 - T = TUBE WITHOUT PICK UP CAP
 - K = TAPE & REEL WITHOUT PICK UP CAP, AS AVAILABLE
4. 9N MIN RETENTION IN EITHER DIRECTION
5. TO DETERMINE DIMENSIONS :
N = NUMBER OF POSITIONS PER ROW
6. RoHS COMPATIBLE PRODUCT SPECIFICATIONS



a - PLATING:

- "LF" MEANS THE PRODUCT IS LEAD-FREE, 2µm MINIMUM MATTE TIN OVER 1.27µm MINIMUM NICKEL UNDERPLATE.

b - MANUFACTURING PROCESS COMPATIBILITY

- THE HOUSING WILL WITHSTAND EXPOSURE TO 260°C PEAK TEMPERATURE FOR 30 SECONDES IN A CONVECTION, INFRA-RED OR VAPOR PHASE REFLOW OVEN.

c - LABELING:

- MEETS PACKAGING SPECS AS PER GS-14-920

d - LEGAL STATEMENT: SEE GS-47-0004

mat'l. code		surface		tolerance		projection		product family	
		ISO 1302		ISO 406 ISO 1101		mm		BERGSTIK	
ltr		ecn no		date		tolerances unless otherwise specified		title	
AE F-36577		DDE		20.03.31		linear		UNSHR.HEADER	
AF F-41211		DDE		21.06.15		x.xx ±0.3		DR SMT	
						x.xxx ±0.05		scale 5:1	
AA F-23246		AMA		16.02.12		D.LE		01.01.24	
AB F-23258		AMA		16.02.15		engr		JM.C	
AC F-23474		JJU		16.03.08		chr		JM.C	
AD F-31155		DDE		18.09.05		appd		JF.N	
sheet		revision		AF		V			
index		sheet		1		2			



Copyright FCI

PIN STYLE	MATING
01	5.9
02	8
03	9.9
04	11.4
05	9.2
06	10.4
07	5.3
09	17.00
10	8.10
11	8.50
12	3.05
13	14.35
14	4.00
15	6.60
16	3.30

PLATING

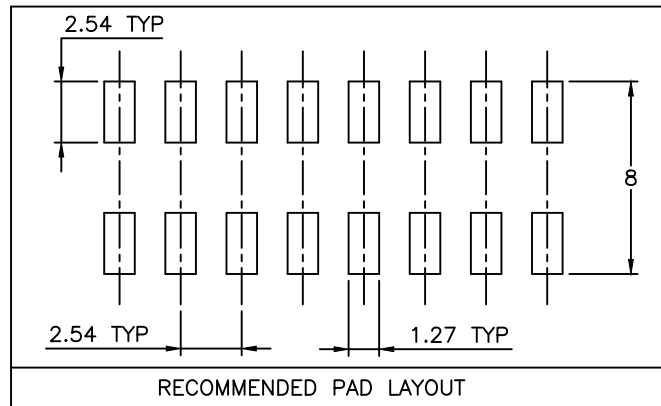
1 = 0.76µm GOLD/GXT ON CONTACT AREA, 2µm TIN MIN ON TAIL

4 = 2µm TIN MIN FULL PLATED

5 = 0.25µm GOLD/GXT ON CONTACT AREA, 2µm TIN MIN ON TAIL

8 = 0.38µm GOLD/GXT ON CONTACT AREA, 2µm TIN MIN ON TAIL

- 1.27µm NICKEL MIN UNDERLAYER FOR ALL PLATING VERSIONS



mat'l. code				surface ISO 1302 <input checked="" type="checkbox"/> ISO 406 ISO 1101		tolerance ISO 406 ISO 1101		projection 		product family BERGSTIK	
ltr	ecn no	dr	date	tolerances unless otherwise specified		mm		title UNSHR.HEADER DR SMT		sheet 2 of - size	
N	F08-0253	LMU	08.12.10	angles		linear		scale N/A		95278 A3	
P	B-18789	LMU	14.09.11							type CUSTOMER Drawing	
R	B-18983	LMU	14.10.03								
S	B-20276	LMU	15.02.16	dr	D.LE	01.01.24					
T	B-20561	AMA	15.03.26	engr	JM.C	01.01.24					
U	F-22120	BVE	15.10.09	chr	JM.C	01.01.24					
V	F-41211	DDE	21.06.15	appd	JF.N	01.01.24					
sheet index	revision sheet										