

.100" (2.54mm) 2541 SERIES CRIMP TERMINAL HOUSING

SPECIFICATION

- * Current Rating:
3 A
- * Withstanding Voltage:
1000 VAC (1 min.)
- * Insulation Resistance:
1000 MΩ min.
- * Contact Resistance:
20 mΩ max.
- * Operating Temperature:
-40°C to +85°C

MATERIAL

- * Terminal: Brass, Tin Plate
- * Housing: NYLON
- * Wafer: Brass, 0.64mm Square Pin, Tin plate

ORDER INFORMATION

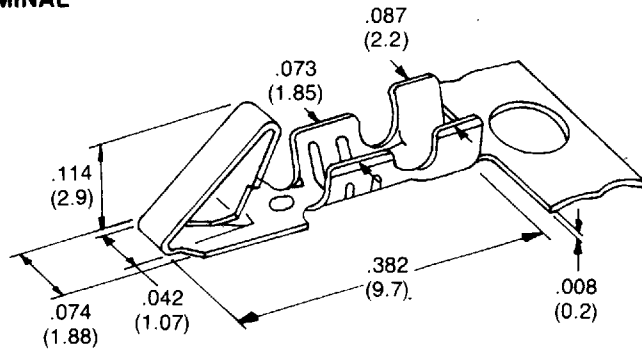
Housing
H2541 - XX
|
No. of Contact
2~20

Terminal
T2541

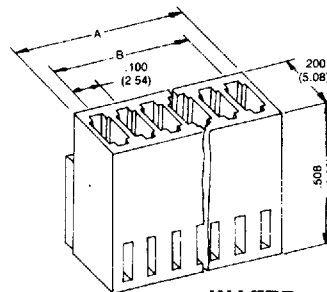
Wafer
P2541 - X - XX
|
Style
1: Straight
2: Right Angle
|
No. of Contact
2~20

Specifications are subject to change without notice

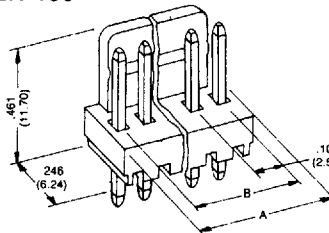
TERMINAL



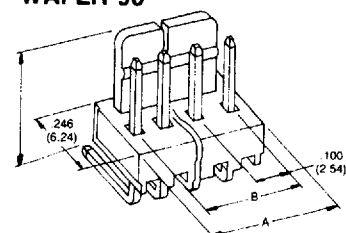
HOUSING



WAFER 180°



WAFER 90°



HOUSING

POS	A	B
2	5.60	2.54
3	8.10	5.08
4	10.70	7.62
5	13.20	10.16
6	15.80	12.70
7	18.30	15.24
8	20.80	17.78
9	23.40	20.32
10	25.90	22.86
11	28.50	25.40
12	31.00	27.94
13	33.50	30.48
14	36.10	33.02
15	38.60	35.56
16	41.20	38.10
17	43.70	40.64
18	46.20	43.18
19	48.80	45.72
20	51.30	48.26

WAFER

POS	A	B
2	5.08	2.54
3	7.62	5.08
4	10.16	7.62
5	12.70	10.16
6	15.24	12.70
7	17.78	15.24
8	21.32	17.78
9	22.86	20.32
10	25.40	22.86
11	27.94	25.40
12	30.48	27.94
13	33.02	30.48
14	35.56	33.02
15	38.10	35.56
16	40.64	38.10
17	43.18	40.64
18	45.72	43.18
19	48.26	45.72
20	50.80	48.26