

**SPECIFICATIONS**

**Mechanical**

**Operating Force & Durability:**

100±30gf	1000000 Cycles
130±40gf	1000000 Cycles
160±50gf	1000000 Cycles
260±80gf	100000 Cycles

**Travel:** 0.25±0.1mm

**Solder ability:** 240 max. 20s min.  
260 max. 20s min. (Lead free)

**Electrical**

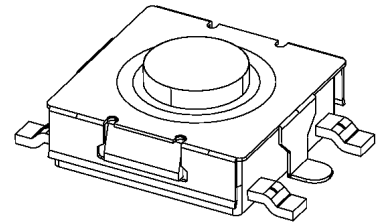
**Rating:** 20mA max, 15V DC max.  
**Contact Resistance:** 50m max.  
**Insulation Resistance:** 50M min.  
**Dielectric Withstanding Voltage:** 250V AC for 1 Minute  
**Bounce:** on Bounce 3ms max. Off Bounce 8ms max.

**Physical**

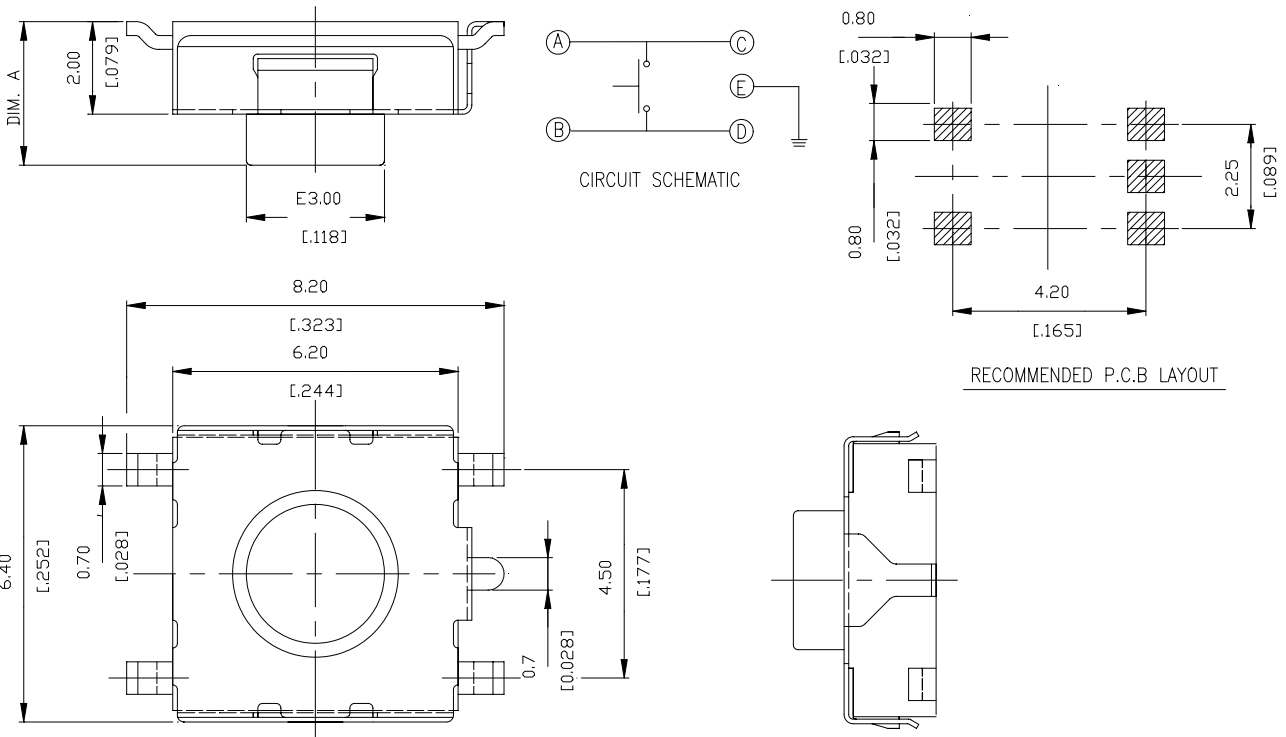
**Operating Temperatures:** -20 to +70  
**Package:** 1400PCS/Reel, 10Reels/Box

**Tact Switch**

**1BT001**  
**L SMT Type,**  
**W/ Ground**



**DRAWING**



**ORDERING INFORMATION**

PRODUCT NO.: 1BT001-1\*\*\*\*-\*\*\*\*

Switch Series: 1BT001  
Tact Type: 001  
Product Series: 1  
Prod. Size: 1=6.2mm\*6.2mm  
Total Height: 2=2.0mm, 3=2.5mm, 4=3.1mm

Plating: 0=Standard, L=Lead-free  
Terminal: 0=L SMT, 1=J SMT  
Operating Force: 1=100gf, 2=160gf, 3=260gf, 4=130gf

Modification Code:  
None=w/o Ground  
001=w/ Ground

1BT001-1440*-001	130±40gf	3.1 [0.122]
1BT001-1430*-001	260±80gf	3.1 [0.122]
1BT001-1420*-001	160±50gf	3.1 [0.122]
1BT001-1410*-001	100±30gf	3.1 [0.122]
1BT001-1340*-001	130±40gf	2.5 [0.098]
1BT001-1330*-001	260±80gf	2.5 [0.098]
1BT001-1320*-001	160±50gf	2.5 [0.098]
1BT001-1310*-001	100±30gf	2.5 [0.098]
P/N	OPERATING FORCE	DIM. A