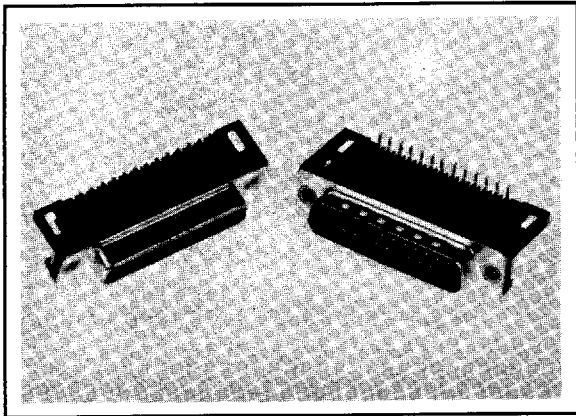


DESCRIPTION

R/A PCB mounted metal shell D-Sub provides low cost interconnection while maintaining proper mating.

FEATURES

- ★ U.L. listed materials
- ★ Metal shell for improved shielding
- ★ Intermateable with other D connectors
- ★ Grounding indents on male connector shell
- ★ Industry standard foot print

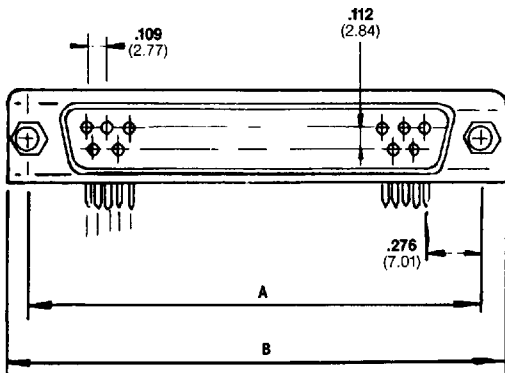


SPECIFICATIONS

Contact Rating 5 Amps
 Dielectric Strength 1000V AC RMS
 Insulation Resistance 1000 meg ohm minimum
 Operating Temperature - 55°C to + 105°C
 Insulation Material Glass-filled Polyester
 (UL 94 V-O)
 Contact Material Phosphor Bronze
 Shell Material Steel
 Shell-Plating Tin Plated
 Contact Finish Gold over Nickel

ORDERING CODE

Series					
4711 - Plug Connector					
4731 - Socket Connector					
Number of Contacts					
9, 15, 25, 37					
Hardware Options					
See table, page 9					
Plating Code					
PI - Gold flash over Nickel					
Other plating options available-consult factory					



SHELL SIZE	A	B
9	.984 24.99	1.213 30.81
15	1.312 33.32	1.541 39.14
25	1.852 47.04	2.088 53.04
37	2.500 63.5	2.729 69.32

ALL DIMENSIONS ARE INCHES (mm)

