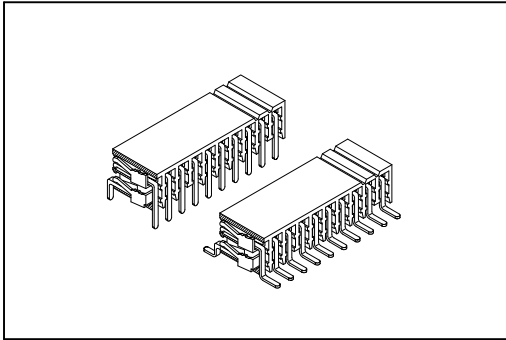


# 2249 Series

P. C. B. Socket 1.27mmX1.27mm(0.050"X0.050")



## Material:

Housing: High Temperature Plastic UL94V-0.

Contacts: Copper Alloy.

## Electrical Characteristics:

Current Rating: 1 A.

Dielectric Withstanding Voltage: AC 500V.

Insulator Resistance: 1000MΩ min.

Contact Resistance: 20mΩ max.

Operating Temperature: -40°C~+105°C.

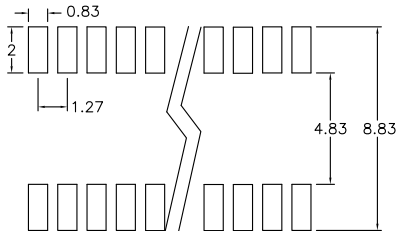
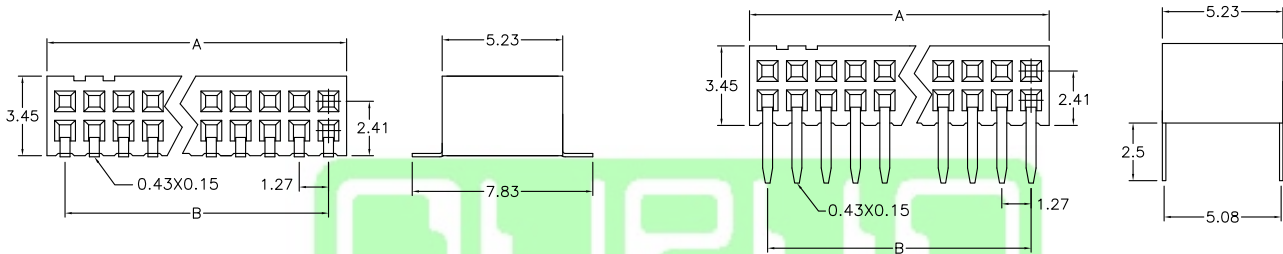
## Features:

\* Dip & SMD Type.

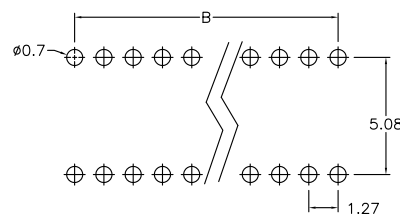
\* Mates with 0.4mm(0.0157") square pin.

\* Additional plating options available.

Mates with: 2215.



P.C. Board Layout



P.C. Board Layout

| Position Dimension | 04 Thru 80                      |
|--------------------|---------------------------------|
| A                  | 1.27 X No. of Positions /2+0.3  |
| B                  | 1.27 X No. of Positions /2-1.27 |

## Ordering information

2249-

Series

2

Double Row

X

25

No. of  
Pin Per Row

G

G: Gold Plated

00

00: G/F

S

S: Dip Type  
D: SMD Type

U

U: Tube Package  
T: Tape & Reel Package