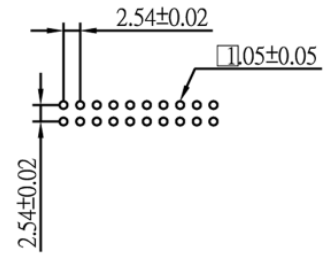
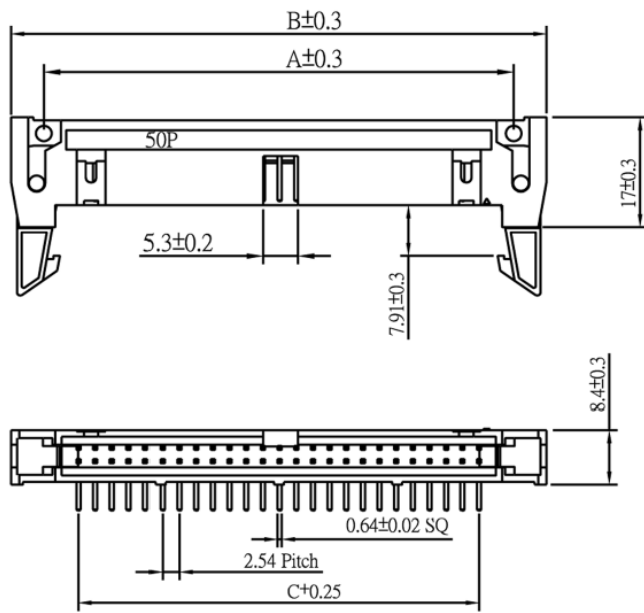
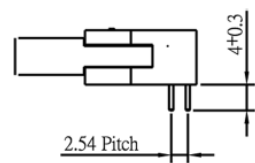


Dimensions			
Circuits	A	B	C
10	21.66	31.88	10.16
14	26.67	36.96	15.24
16	29.30	39.50	17.18
20	34.38	44.58	22.86
24	39.46	49.66	27.94
26	42.00	52.20	30.48
30	47.08	57.28	35.56
34	52.16	62.36	40.64
40	59.78	69.98	48.26
50	72.48	82.68	60.96
60	85.18	95.38	73.66
64	90.26	100.46	78.74



P.C.Board Layout



**SPECIFICATIONS**

Current rating: 3 amps  
 Contact material: Phosphor bronze  
 Insulator material: Polyester, UL94V-0  
 Contact plating: Gold, tin or duplex  
 Insulator resistance: 5,000 megohms min.  
 Withstanding: 500VAC  
 Operating temperature: -40~+105C°

Series	Positions	Mounting	Latch	Plating	Options	
LHD	XX	XX	XX	XX	XX	
Latch header	10, 12, 14, 16, 20, 24, 30, 34, 40, 44, 50, 56, 60, 64	ST=Straight RA=Right angle	LL=Long latch SL=Short latch NL=No latches	GDXX=Gold SGXX=Selective gold TN=Tin	XX=Blank if flash; 15, 30, 50µ" gold	[blank]=None SPL=Custom pin length PF=Press fit (ST only)

RoHS compliant

Rev.	Description	Date	Approved	Drawing	Name	Date
				Approved	Howard	08/10/99
				Checked	Lizzy	08/10/99
				Drawn	Tina	08/10/99
				0.0 ± 0.35	0.00 ± 0.20	Angles ± 3'
				UNIT: mm		

**Central Components Manufacturing**  
 440 Lincoln Blvd., Middlesex, New Jersey 08846  
 Phone 732 469-5720 888 288-5152 Fax 732 469-1919

Part No.: **LHD-XX-RA-LL-XX**

Description: Latch header, right angle, .100" by .100", long latch