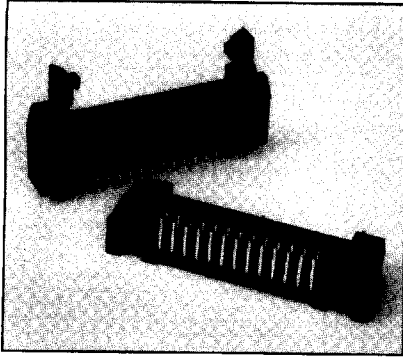


# HEADERS



## 4 Sided .025" sq. Post Headers

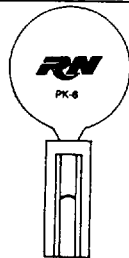
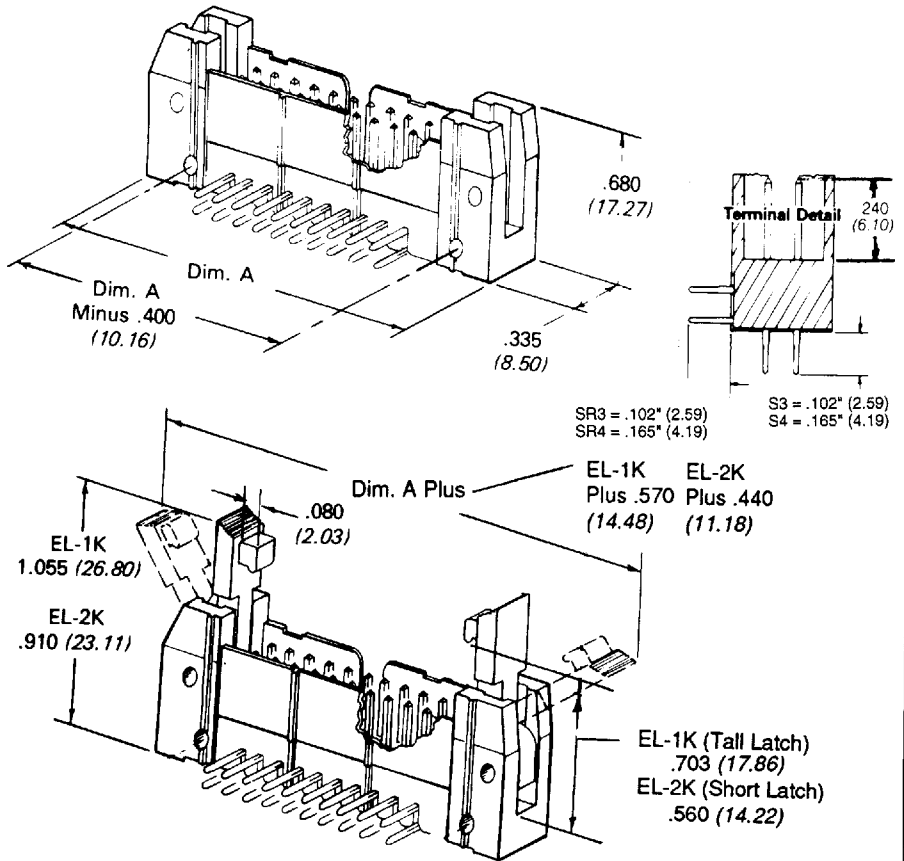
### IDH-PK Series



- MIL-C-83503, DIN 41651 and BT-224 Compatible
- 4-sided body provides complete pin protection and polarization
- Available with ROBEX® better-than-gold plating

For Recommended PC Board Layout See Page 351.

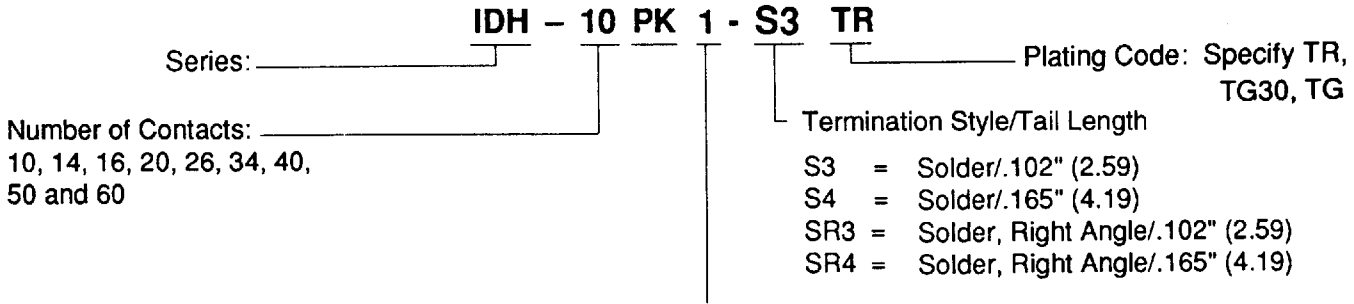
Tabulations			
No. of Contacts	Dim. A Inches (mm)	Dim. B Inches (mm)	Dim. C Inches (mm)
10	1.260 (32.00)	1.100 (27.94)	.400 (10.16)
14	1.460 (37.08)	1.300 (33.02)	.600 (15.24)
16	1.560 (39.62)	1.400 (35.56)	.700 (17.78)
20	1.760 (44.70)	1.600 (40.64)	.900 (22.86)
26	2.060 (52.32)	1.900 (48.26)	1.200 (30.48)
34	2.460 (62.48)	2.300 (58.42)	1.600 (40.64)
40	2.760 (70.10)	2.600 (66.04)	1.900 (48.26)
50	3.260 (82.80)	3.100 (78.74)	2.400 (60.96)
60	3.760 (95.50)	3.600 (91.44)	2.900 (73.66)



PK-6  
Snap-In  
Polarization  
Key

IDC  
CABLE-TO-BOARD

## How to Order IDH-PK Series



### Header Options:

- Blank = Without Latches
- 1 = EL-1K Ejector Latches Installed
- 2 = EL-2K Ejector Latches Installed

### HEADER ACCESSORIES

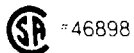
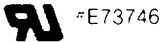
These accessories for the IDH Series may be ordered as separate items:

Polarization Keys - PK-6      Long Ejector Latches - EL-1K      Short Ejector Latches - EL-2K

### Materials:

Body: Glass-filled, black polyester  
 Contact: Phosphor Bronze

### Agency Approvals:



### Performance

#### Characteristics:

Temperature Range: -55°C to + 105°C  
 Contact Resistance: 20 Milliohms Max.  
 Insulation Resistance: 5000 Megaohms Min.  
 Dielectric Withstand Voltage: 500 volts DC  
 Current Rating: 1 Ampere at 100°C ambient  
 Flammability: UL 94V-0

### Plating Description

Suffix: TR = 10 μinch (.254 μm) minimum  
 ROBEX® on contact area.  
 100 μinch (2.54 μm) minimum  
 Tin on terminal area.

TG = 10 μinch (.254 μm) minimum  
 Gold on contact area.  
 100 μinch (2.54 μm) minimum  
 Tin on terminal area.

TG30 = 30 μinch (.762 μm) minimum  
 Gold on contact area.  
 100 μinch (2.54 μm) minimum  
 Tin on terminal area.

For other plating options consult factory.  
 All options include an underplate of 50 μinch  
 (1.27 μm) minimum Nickel.

IDC  
CABLE-TO-BOARD

## IDC Product Specifications and Test Data

### Electrical

Current Rating .....	1 Amp
Insulation Resistance .....	>5 X 10 <sup>9</sup> Ohms at 500 VDC
Withstanding Voltage .....	500 VRMS at Sea Level
Contact Resistance .....	20 milliohms Maximum

### Environmental

Operating Temperature	
Phos Bronze Contacts .....	-55°C to + 105°C
Be Cu Contacts .....	-55°C to + 125°C
Corrosive Atmosphere	
Ammonium Polysulfate (4 Hours) .....	R <sub>c</sub> = 9.3 milliohms
Nitric Acid (1 Hour) .....	R <sub>c</sub> = 8.4 milliohms
Salt Spray	
MIL-STD-1344, Method 1001, Condition B .....	R <sub>c</sub> - 11.7 milliohms
+ 35°C, 96 Hours .....	(no damage)
Humidity	
MIL-STD-1344, Method 1002, Type I, Condition B .....	R <sub>c</sub> = 14.8 milliohms
96 Hours, 95% Relative Humidity, + 40°C .....	(no damage)
Thermal Shock	
MIL-STD-1344, Method 1003, Condition A .....	R <sub>c</sub> - 11.7 milliohms
-55°C to + 85°C (5 Cycles) .....	(no damage)
Mechanical Shock	
MIL-STD-1344, Method 2004, Condition G .....	No Discontinuity
100 Gs, 6 milliSeconds Each Axis	
Vibration	
MIL-STD-1344, Method 2005, Condition 4 .....	No Discontinuity
10-2000 Hz, 20 G Peak (12 Cycles)	
Temperature Life	
MIL-STD-1344, Method 1005, 1,000 Hours, Condition 4 .....	R <sub>c</sub> - 14.9 milliohms
+ 105°C	
Socket Durability	
500 Cycles .....	R <sub>c</sub> = <12 milliohms

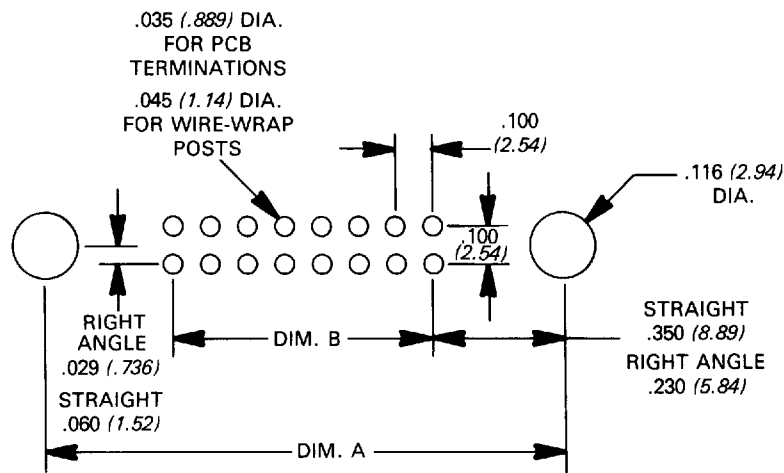
**Note:** For Complete test results on high reliability ROBEX® plating (TR and TR30), contact the factory.

IDC  
CABLE-TO-BOARD

**.025" Sq. Post Headers**

The detail below describes the recommended mounting hole patterns and hole sizes for the following post leader series: IDH-PK, IDH-K, IDH-LP.

Note: The mounting hole information will apply to IDH-PK and IDH-K Series only.



Inches (mm)

No. of Contacts	Dim. A for Straight Mount	Dim. A for Right Angle Mount	Dim. B
10	1.100 (27.94)	.860 (21.84)	.400 (10.16)
14	1.300 (33.02)	1.060 (26.92)	.600 (15.24)
16	1.400 (35.56)	1.160 (29.46)	.700 (17.78)
20	1.600 (40.64)	1.360 (34.54)	.900 (22.86)
26	1.900 (48.26)	1.660 (42.16)	1.200 (30.48)
34	2.300 (58.42)	2.060 (52.32)	1.600 (40.64)
40	2.600 (66.04)	2.360 (59.94)	1.900 (48.26)
50	3.100 (78.74)	2.860 (72.64)	2.400 (60.96)
60	3.600 (91.44)	3.360 (85.34)	2.900 (73.66)

IDC  
CABLE-TO-BOARD