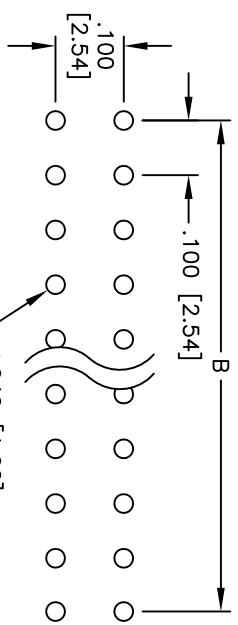
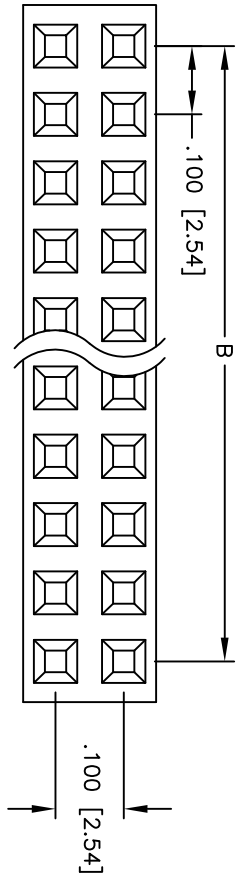
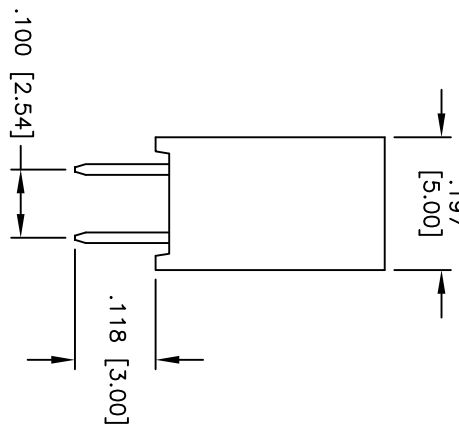
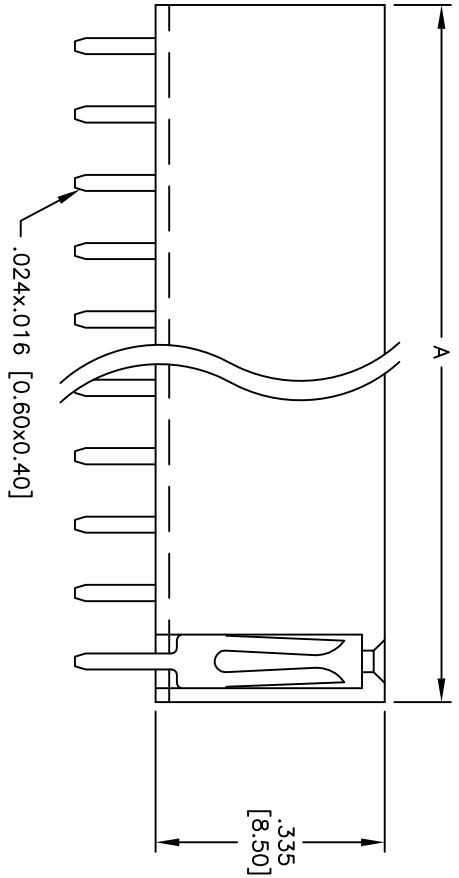


Rev	AWO #	Description	Date	Appr
-		RELEASED	2/9/11	

APPROVED: \_\_\_\_\_  
 DATE: \_\_\_\_\_ TITLE: \_\_\_\_\_



RECOMMENDED  
PCB LAYOUT



**SPECIFICATIONS:**

- Material: Insulator: PBT, glass reinforced, rated UL 94V-0
- Insulator color: Blue
- Contacts: Brass
- Plating: 15u" Gold over Nickel underplate on contact area, Tin over Copper Underplate on solder tails
- Electrical: Operating voltage: 250 VAC max. Current rating: 3 Amps max. Contact resistance: 20 mohms max. initial Insulation resistance: 5,000 Mohms min. Dielectric withstanding voltage: 1,000 VAC for 1 minute
- Temperature Rating: Operating temperature: -40°C to +105°C
- Environmental: Lead free, ROHS compliant
- Recommended soldering temp: 235°C for 5 seconds

Positions: 02 thru 80  
 A = .100 [2.54] x No. of Positions per Row + .020 [0.50]  
 B = .100 [2.54] x No. of Spaces

**ADAM TECH**

909 Rahway Avenue, Union, NJ 07083  
 Phone: 908-687-5000 Fax: 908-687-5710

TITLE: .100 x .100 DUAL ROW RECEPTACLE STRIP  
 .335 [8.50] HEIGHT, 15u" SEL GOLD PLATED

UNLESS OTHERWISE SPECIFIED ALL DIMENSIONS ARE INCHES [MM]		TOLERANCES: EXCEPT AS NOTED	
INCHES		HILES	
.X ± .10	ØXX ± .10		
.XX ± .020	ØXXX ± .015		
.XXX ± .015	ØXXX ± .010		
APPROVALS		DATE	
DRAWN	AY	2/9/11	
CHECKED	VW	2/9/11	
APPROVED			
SIZE	PART NO.	REF:	SCALE: MTS
X	RS2-XX-SG-15-BU	S00039T	
REV.		SHEET	1 OF 1