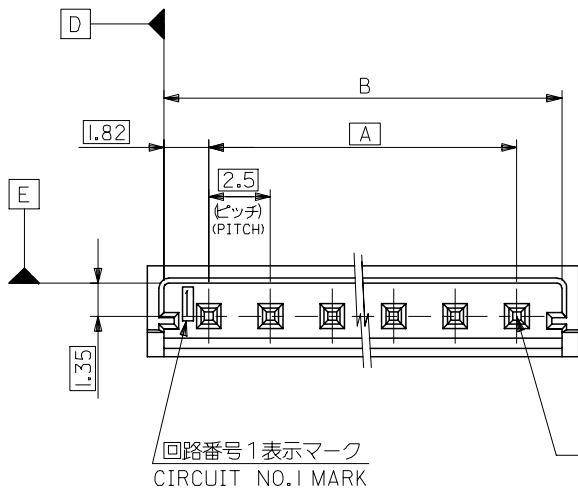
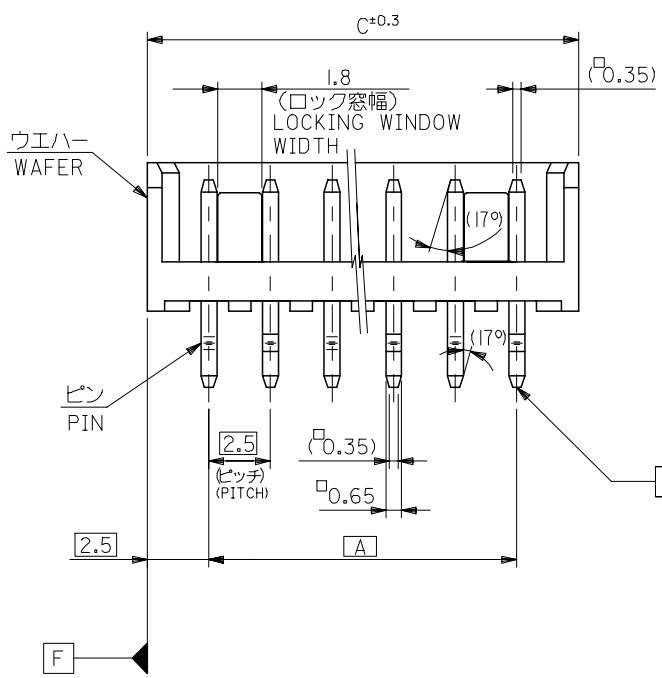
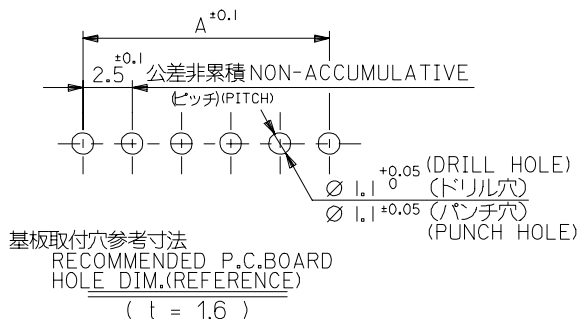
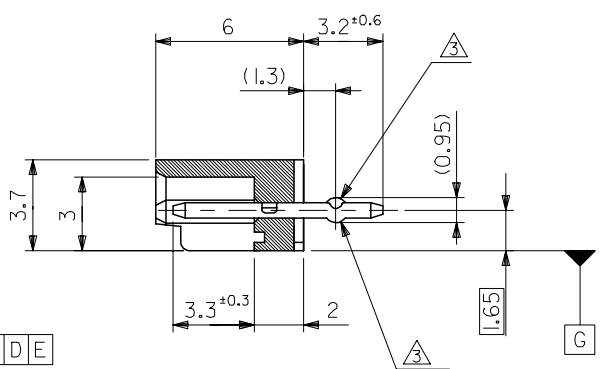


10 9 8 7 6 5 4 3 2 1



⊕ ⌀0.6 D | E



⊕ ⌀0.6 F | G

注記 NOTES

1. 材料 MATERIAL
ウエハー: PBT (ガラス 15% 入り)
WAFER G.F. 15%
UL94V-0
ピン: 黄銅, 錫メッキ
PIN: BRASS, Sn
2. 嵌合相手: 52419 シリーズ
MATE WITH: 52419 SERIES
キックは金ピンに交互に付加。
SET KINK ALTERNATELY TO ALL PIN.
4. 各部のソリは 0.2MAX.
CAMBER: 0.2MAX.
5. 本製品は、53291-**10 の鉛フリー品である。
THIS PRODUCT IS LEAD FREE OF 53291-**10.

40	38.64	35	53291-1519	15
37.5	36.14	32.5	-1419	14
35	33.64	30	-1319	13
32.5	31.14	27.5	-1219	12
30	28.64	25	-1119	11
27.5	26.14	22.5	-1019	10
25	23.64	20	-0919	9
22.5	21.14	17.5	-0819	8
20	18.64	15	-0719	7
17.5	16.14	12.5	-0619	6
15	13.64	10	-0519	5
12.5	11.14	7.5	-0419	4
10	8.64	5	53291-0319	3
C	B	A	MATERIAL NO.	極数 CKT.

RELEASED EC NO: J2005-0507 DRWN: SASAMOR 2004/09/14 CHKDK: TOJO 2004/09/14 APPR: NUKITA 2004/09/24	GENERAL TOLERANCES (UNLESS SPECIFIED)		DIMENSION STYLE MM ONLY		SCALE ---	DESIGN UNITS METRIC	THIRD ANGLE PROJECTION
	10 UNDER	±0.2	DRAWN BY J. SASAMO	DATE 2004/8/19	TITLE 2.5 BOARD TO BOARD CONN. WAFER ASSY -LEAD FREE-		
	10 OVER 30 UNDER	±0.25	CHECKED BY K. TOJO	DATE 2004/8/19	MOLEX INCORPORATED DOCUMENT NO. SD-53291-001 SHEET NO. 1 OF 1		
	30 OVER	±0.3	APPROVED BY N. UKITA	DATE 2004/8/19			
	ANGULAR	±3 °	MATERIAL NO. 53291-**19		DRAFT WHERE APPLICABLE MUST REMAIN WITHIN DIMENSIONS		
0	REV	SIZE A3 THIS DRAWING CONTAINS INFORMATION THAT IS PROPRIETARY TO MOLEX INCORPORATED AND SHOULD NOT BE USED WITHOUT WRITTEN PERMISSION					