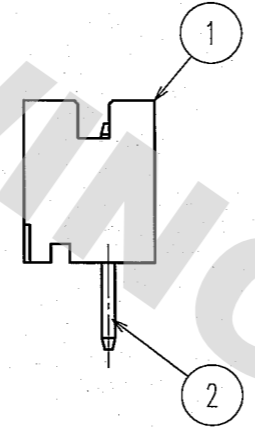
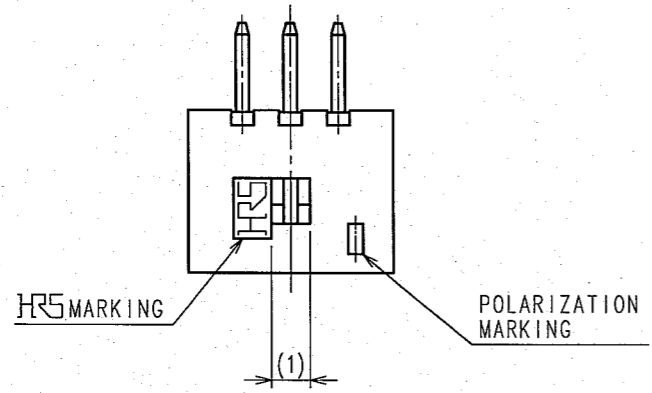
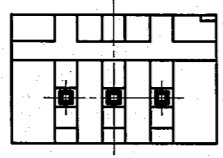
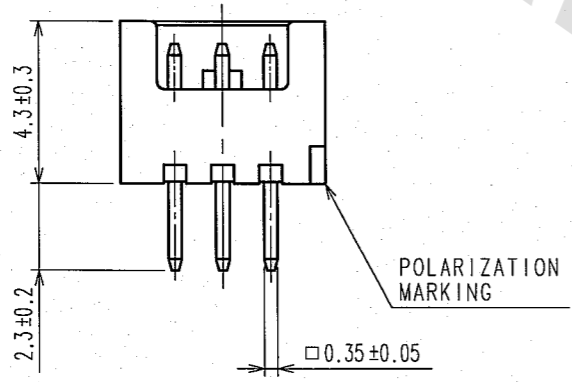
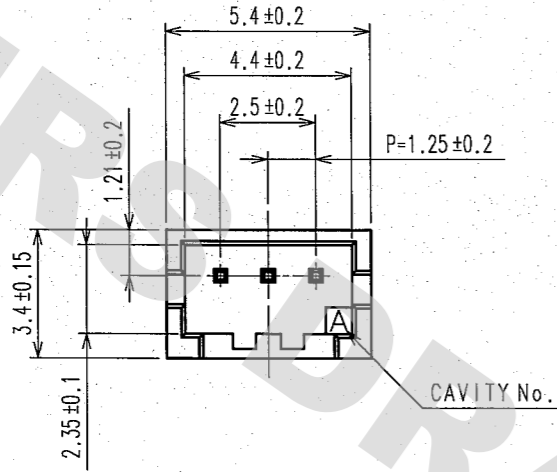


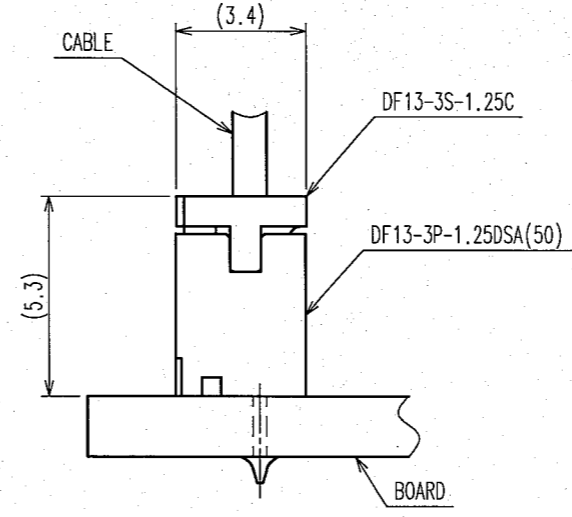
DRAWING FOR REFERENCE: This is subject to change without notice  
08/11/2012

TO

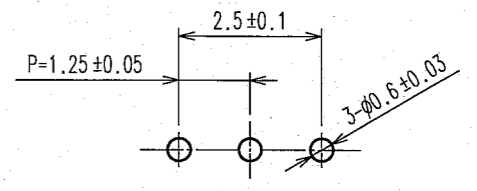


5				6				7				8			
COUNT	DESCRIPTION OF REVISIONS	BY	CHKD	DATE	COUNT	DESCRIPTION OF REVISIONS	BY	CHKD	DATE	COUNT	DESCRIPTION OF REVISIONS	BY	CHKD	DATE	
△					△					△					
△					△					△					
△					△					△					

1 APPLICATION FIGURE



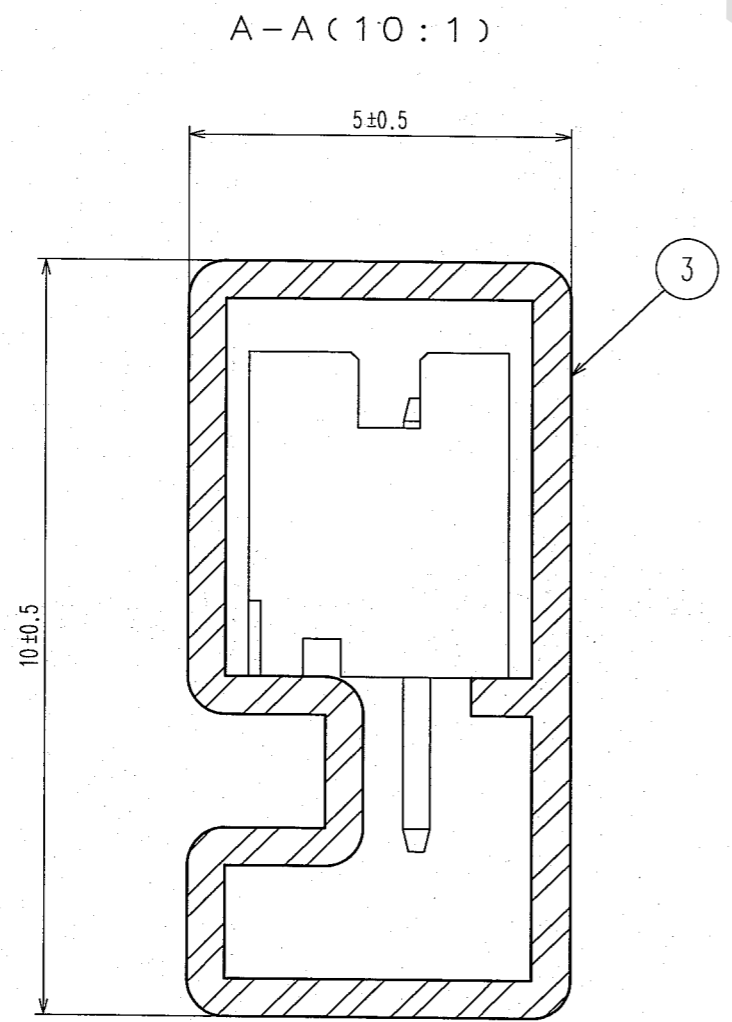
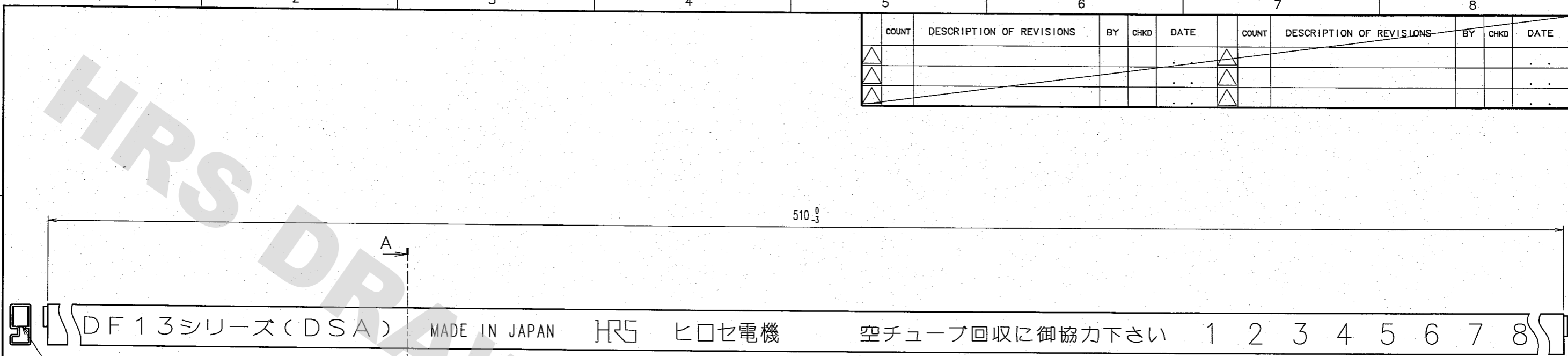
2 RECOMMENDED PATTERN



NOTES 1 WHEN THIS CONNECTOR MATES WITH DF13-3S-1.25C, THE MATING LENGTH IS 5.3mm.  
2 RECOMMENDED DIP POST DIA. : φ 0.6 ± 0.03

2	BRASS	SURFACE:GOLD PLATED 0.2μm min UNDER PLATING:NICKEL PLATED 0.5μm min	4	STYRENIC-BASED ELASTOMERS	STOPPER, GREEN
1	POLYAMIDE	BEIGE(NATURAL), UL94V-0	3	PS	ELECTROSTATIC PROTECTION,CLEAR
NO.	MATERIAL	FINISH, REMARKS	NO.	MATERIAL	FINISH, REMARKS
CODE NO. (OLD)			DRAWN	DESIGNED	CHECKED
			A.Miura	T.Kumazawa	H.Umehara
			'07.02.23	'07.02.23	'07.02.23
				J.Oma	
				'07.02.23	
DRAWING NO. EDC3-081802-01			PART NO. DF13-3P-1.25DSA(50)		
SCALE 5 : 1			CODE NO. CL536-0102-1-50		
UNITS mm			HRS HIROSE ELECTRIC CO., LTD		

COUNT	DESCRIPTION OF REVISIONS	BY	CHKD	DATE	COUNT	DESCRIPTION OF REVISIONS	BY	CHKD	DATE
△					△				
△					△				
△					△				



NOTES 3. NUMBER OF CONNECTORS PER A MAGAZINE CASE SHALL BE 89.  
 4. THESE CONNECTORS SHALL BE ON SALED IN ACCORDANCE WITH THE MULTIPLE QUANTITY OF 89.

DRAWING FOR REFERENCE: This is subject to change without notice  
08/11/2012

TO

NO.	MATERIAL	FINISH, REMARKS	NO.	MATERIAL	FINISH, REMARKS
CODE NO. (OLD)			DRAWN	DESIGNED	CHECKED
			A.Miura	T.Kumazawa	H.Umehara
			'07.02.23	'07.02.23	'07.02.23
					APPROVED
					J. Ona
					'07.02.23
					RELEASED
SCALE	DRAWING NO.		PART NO.		
FREE	EDC3-081802-01		DF13-3P-1.25DSA(50)		
UNITS	HRS HIROSE ELECTRIC CO., LTD		CODE NO.		
mm			CL536-0102-1-50		