

SPECIFICATIONS

Friction Header Connector

Mechanical

Contact Retention Force: 0.91 KGF Min
Durability: 500 Cycles

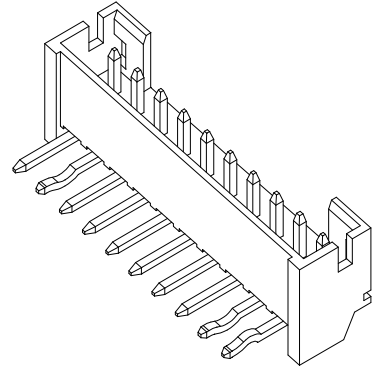
HF56 Series
Friction T/H Type
2.00mm [.079"] Pitch

Electrical

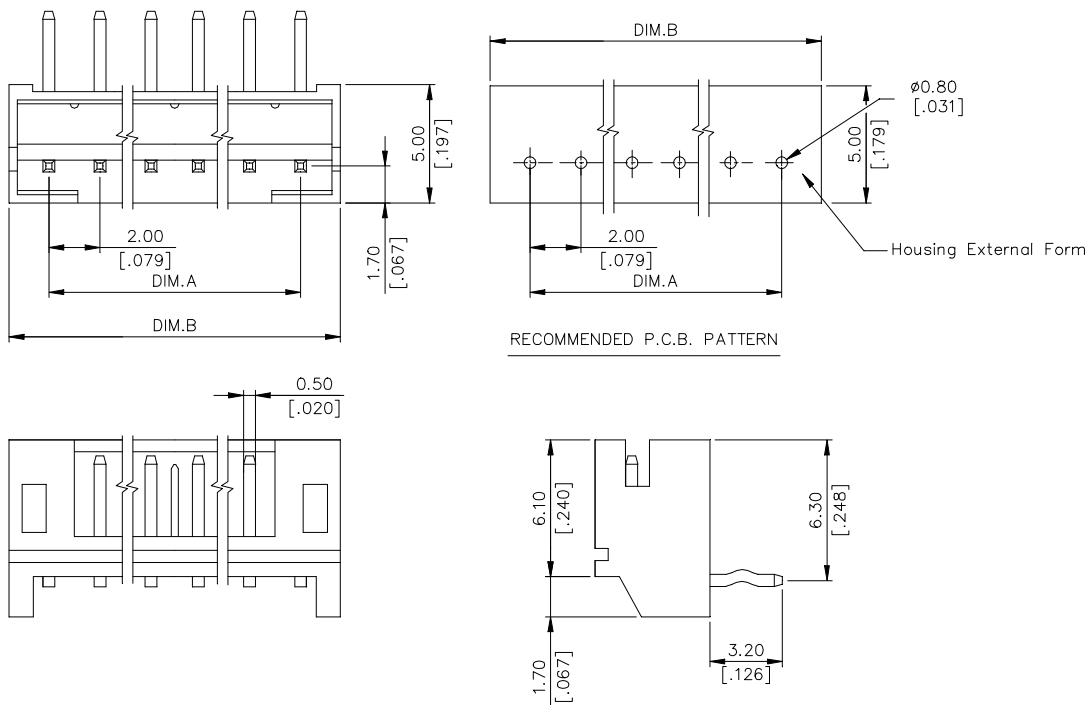
Voltage Rating: 500V
Current Rating: 2.0A per pin min
Insulation Resistance: 1000MW min

Physical

Housing: Thermoplastic, Glass Filled , UL94V-0 Rating
Contact: Copper Alloy
Plating: See "ORDERING INFORMATION"
Operating Temperature: -40 to +105



DRAWING



ORDERING INFORMATION

PRODUCT NO.: HF56***-**

- Header
- High Friction Header
- Termination & Contact Type
- No. Of Pos
 - 2=2 Pos
 - 3=3 Pos
 - ⋮
 - 15=15 Pos
- Optional For Housing Material
 - None: PA4.6
 - N:PA6.6 Color White
- Optional For Cont Omitted
 - None: Standard Product
 - F8: Pin #7 Omitted
- Optional For Plating
 - 0=100u" Tin/Lead
 - E=100u" min. Tin with Lead free "RoHS COMPLIANCE"

HF5615*-* *	15	28.00 [1.103]	32.00 [1.261]
HF5614*-* *	14	26.00 [1.024]	30.00 [1.182]
HF5613*-* *	13	24.00 [.945]	28.00 [1.103]
HF5612*-* *	12	22.00 [.867]	26.00 [1.024]
HF5611*-* *	11	20.00 [.788]	24.00 [.945]
HF5610*-* *	10	18.00 [.709]	22.00 [.867]
HF5609*-* *	9	16.00 [.63]	20.00 [.788]
HF5608*-* *	8	14.00 [.552]	18.00 [.709]
HF5607*-* *	7	12.00 [.473]	16.00 [.63]
HF5606*-* *	6	10.00 [.394]	14.00 [.552]
HF5605*-* *	5	8.00 [.315]	12.00 [.473]
HF5604*-* *	4	6.00 [.236]	10.00 [.394]
HF5603*-* *	3	4.00 [.158]	8.00 [.315]
HF5602*-* *	2	2.00 [.079]	6.00 [.236]
P/N	POS.	DIM. A	DIM. B